



AMP

TE Internal #: 2280380-1

Hand Crimping Tools, Commercial Crimp Tooling, Removable /Interchangeable, Battery (110v), Base Power Unit (No Crimp Tooling)

[View on TE.com >](#)

Application Tooling > Hand Crimping Tools



Tool Grade: **Commercial Crimp Tooling**

Die Sets Type: **Removable/Interchangeable**

Power Technology Type: **Battery (110v)**

Tooling Type: **Base Power Unit (No Crimp Tooling)**

Features

Other

Tool Grade	Commercial Crimp Tooling
Die Sets Type	Removable/Interchangeable
Power Technology Type	Battery (110v)
Tooling Type	Base Power Unit (No Crimp Tooling)

Product Compliance

[For compliance documentation, visit the product page on TE.com>](#)

EU RoHS Directive 2011/65/EU	Out of Scope
EU ELV Directive 2000/53/EC	Out of Scope
China RoHS 2 Directive MIIT Order No 32, 2016	Not reviewed for China RoHS compliance
EU REACH Regulation (EC) No. 1907/2006	Current ECHA Candidate List: JUNE 2023 (235) Candidate List Declared Against: JUL 2021 (219) Does not contain REACH SVHC
Halogen Content	Not Yet Reviewed for halogen content
Solder Process Capability	Not applicable for solder process capability

Product Compliance Disclaimer

This information is provided based on reasonable inquiry of our suppliers and represents our current actual knowledge based on the information they provided. This information is subject to change. The part numbers that TE has identified as EU RoHS compliant have a maximum concentration of 0.1% by weight in homogenous materials for lead, hexavalent



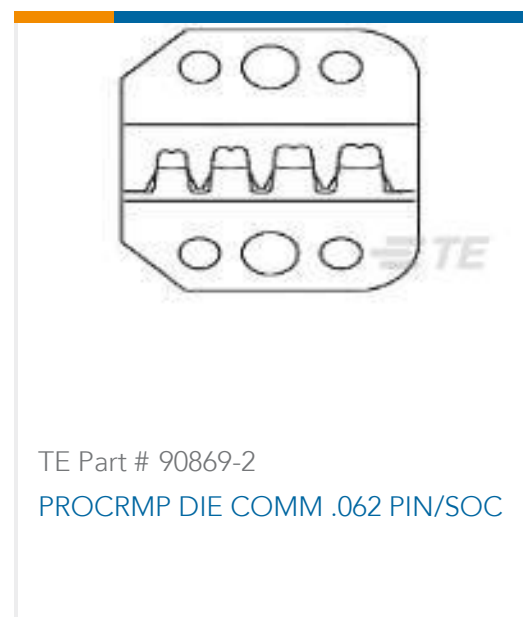
chromium, mercury, PBB, PBDE, DBP, BBP, DEHP, DIBP, and 0.01% for cadmium, or qualify for an exemption to these limits as defined in the Annexes of Directive 2011/65/EU (RoHS2). Finished electrical and electronic equipment products will be CE marked as required by Directive 2011/65/EU. Components may not be CE marked. Additionally, the part numbers that TE has identified as EU ELV compliant have a maximum concentration of 0.1% by weight in homogenous materials for lead, hexavalent chromium, and mercury, and 0.01% for cadmium, or qualify for an exemption to these limits as defined in the Annexes of Directive 2000/53/EC (ELV). Regarding the REACH Regulation, the information TE provides on SVHC in articles for this part number is based on the latest European Chemicals Agency (ECHA) 'Guidance on requirements for substances in articles' posted at this URL: <https://echa.europa.eu/guidance-documents/guidance-on-reach>

Compatible Parts

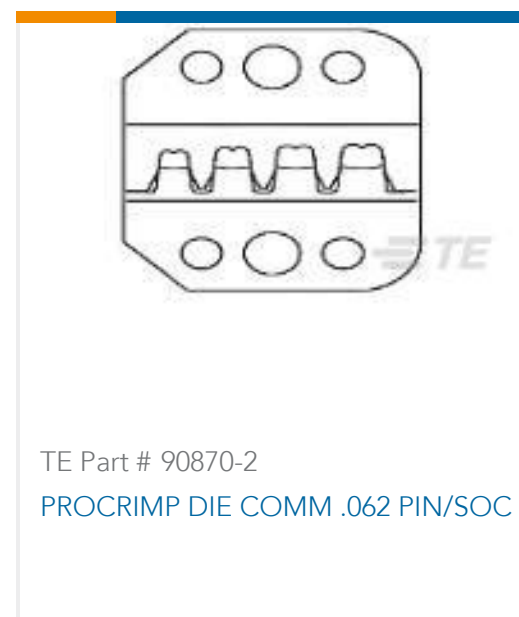
 <p>TE Part # 58628-2 PROCRMP DIESET 26-14 ULTRAFAS</p>	 <p>TE Part # 58495-2 PROCRIMPER DIE ASSY MULTIMATE</p>	 <p>TE Part # 90548-2 PROCRIMPER DIE ASSY UNIV MNL</p>	 <p>TE Part # 58545-1 SOLISTRAND 10-22 DIE ASSY</p>
 <p>TE Part # 58529-2 PROCRIMP DIE AMPSEAL</p>	 <p>TE Part # 90547-2 PROCRIMPER DIE ASSY UNIV MNL</p>	 <p>TE Part # 90758-2 PROCRIMP DIE MINI UNIV MNL</p>	 <p>TE Part # 90546-2 PROCRIMPER DIE ASSY UNIV MNL</p>
 <p>TE Part # 58583-2 PROCRIMP DIE SUPERSEAL 1.5 SER</p>	 <p>TE Part # 90759-2 PROCRIMP DIE MINI UNIV MNL</p>	 <p>TE Part # 90800-2 DIE ASSEMBLY</p>	 <p>TE Part # 90760-2 PROCRIMP DIE MINI UNIV MNL</p>
 <p>TE Part # 90684-2 PROCRIMPER DIE ASSY DYNAMIC</p>	 <p>TE Part # 58514-2 PROCRIMP DIE MR26-18</p>	 <p>TE Part # 90574-2 PROCRIMPER DIE ASSY COMM MNL</p>	 <p>TE Part # 90575-2 SDE UMNL 20-14 AWG DIE</p>



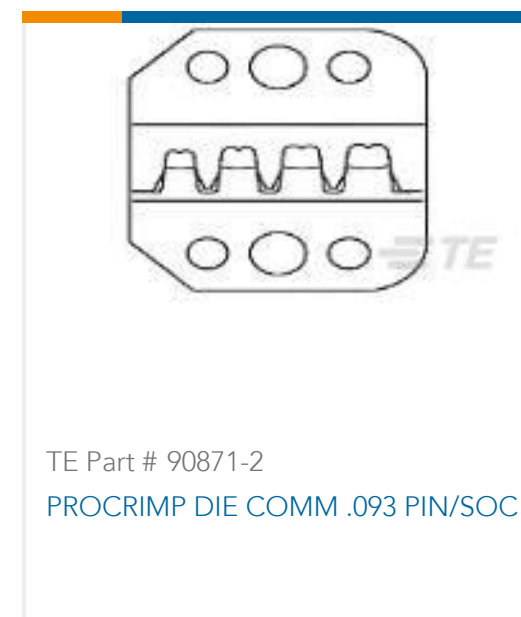
TE Part # 90683-2
PROCRIMPER DIE ASSY DYNAMIC



TE Part # 90869-2
PROCRIMP DIE COMM .062 PIN/SOC



TE Part # 90870-2
PROCRIMP DIE COMM .062 PIN/SOC



TE Part # 90871-2
PROCRIMP DIE COMM .093 PIN/SOC

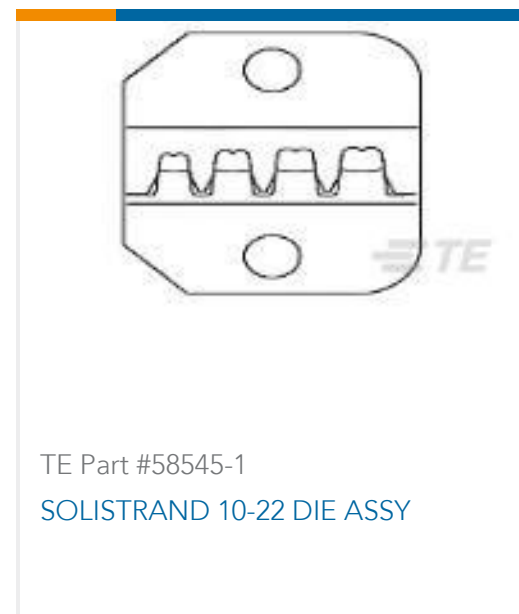
Customers Also Bought



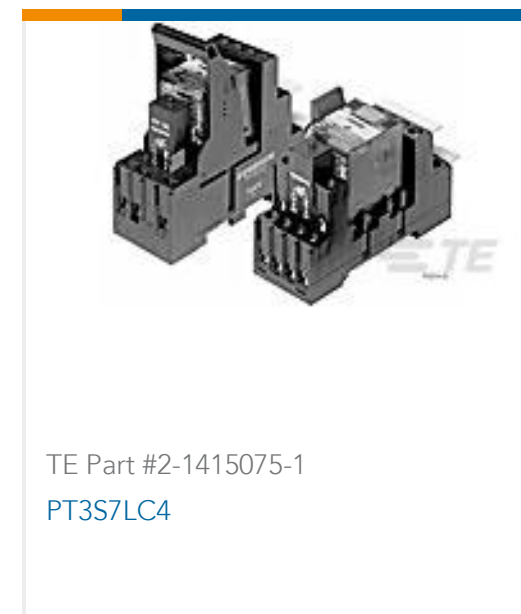
TE Part #321045
TERMINAL,PIDG R 16-14 1/4



TE Part #66507-4
HD 20 DF PIN PLTD



TE Part #58545-1
SOLISTRAND 10-22 DIE ASSY



TE Part #2-1415075-1
PT3S7LC4



TE Part #350550-7
UMNL SOK 20-14 AU/BR L/P



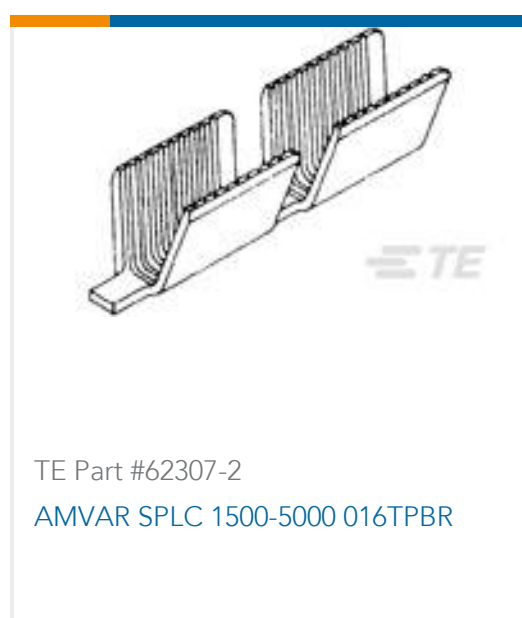
TE Part #1768020-5
ESSW30-025



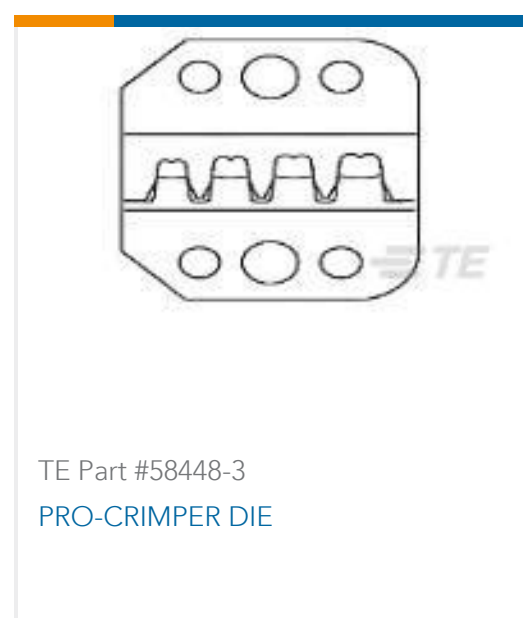
TE Part #2217480-1
KIT, BTLI, SDE OPEN HEAD



TE Part #GA10K3CG3
CHPG-NTC CHIP THERMISTORS



TE Part #62307-2
AMVAR SPLC 1500-5000 016TPBR



TE Part #58448-3
PRO-CRIMPER DIE

Documents

Datasheets & Catalog Pages

Bottoming Dies

English

MICRO SDE DATA SHEET

English

Instruction Sheets

[Micro SDE \(Standard Die Envelope\) Lithium-Ion Battery-Powered Crimping Tool Kits 2280380-\[\]](#)

[Micro SDE \(Standard Die Envelope\) Lithium-Ion Battery-Powered Crimping Tool Kits 2280380-\[\]](#)



French

[Micro SDE \(Standard Die Envelope\) Lithium-Ion Battery-Powered Crimping Tool Kits 2280380-\[\]](#)

[Micro SDE \(Standard Die Envelope\) Lithium-Ion Battery-Powered Crimping Tool Kits 2280380-\[\]](#)

[Micro SDE \(Standard Die Envelope\) Lithium-Ion Battery-Powered Crimp Tool Kits 2280380-\[\]](#)

English

[Micro SDE \(Standard Die Envelope\) Lithium-Ion Battery-Powered Crimp Tool Kits 2280380-\[\]](#)

[Micro SDE \(Standard Die Envelope\) Lithium-Ion Battery-Powered Crimp Tool Kits 2280380-\[\]](#)

[Micro SDE \(Standard Die Envelope\) Lithium-Ion Battery-Powered Crimp Tool Kits 2280380-\[\]](#)

[Micro SDE \(Standard Die Envelope\) Lithium-Ion Battery-Powered Crimp Tool Kits 2280380-\[\]](#)

French

[Micro SDE \(Standard Die Envelope\) Lithium-Ion Battery-Powered Crimp Tool Kits 2280380-\[\]](#)

German

[Micro SDE \(Standard Die Envelope\) Lithium-Ion Battery-Powered Crimp Tool Kits 2280380-\[\]](#)

[Micro SDE \(Standard Die Envelope\) Lithium-Ion Battery-Powered Crimp Tool Kits 2280380-\[\]](#)

[Micro SDE \(Standard Die Envelope\) Lithium-Ion Battery-Powered Crimp Tool Kits 2280380-\[\]](#)

German

[Micro SDE \(Standard Die Envelope\) Lithium-Ion Battery-Powered Crimp Tool Kits 2280380-\[\]](#)

[Micro SDE \(Standard Die Envelope\) Lithium-Ion Battery-Powered Crimp Tool Kits 2280380-\[\]-SLO](#)

Agency Approvals

[CE Declaration of Conformity](#)

[CE Declaration of Conformity](#)

German

[CE Declaration of Conformity](#)

[CE Declaration of Conformity](#)

[CE Declaration of Conformity](#)

[CE Declaration of Conformity](#)

French

[CE Declaration of Conformity](#)

English

[CE Declaration of Conformity](#)