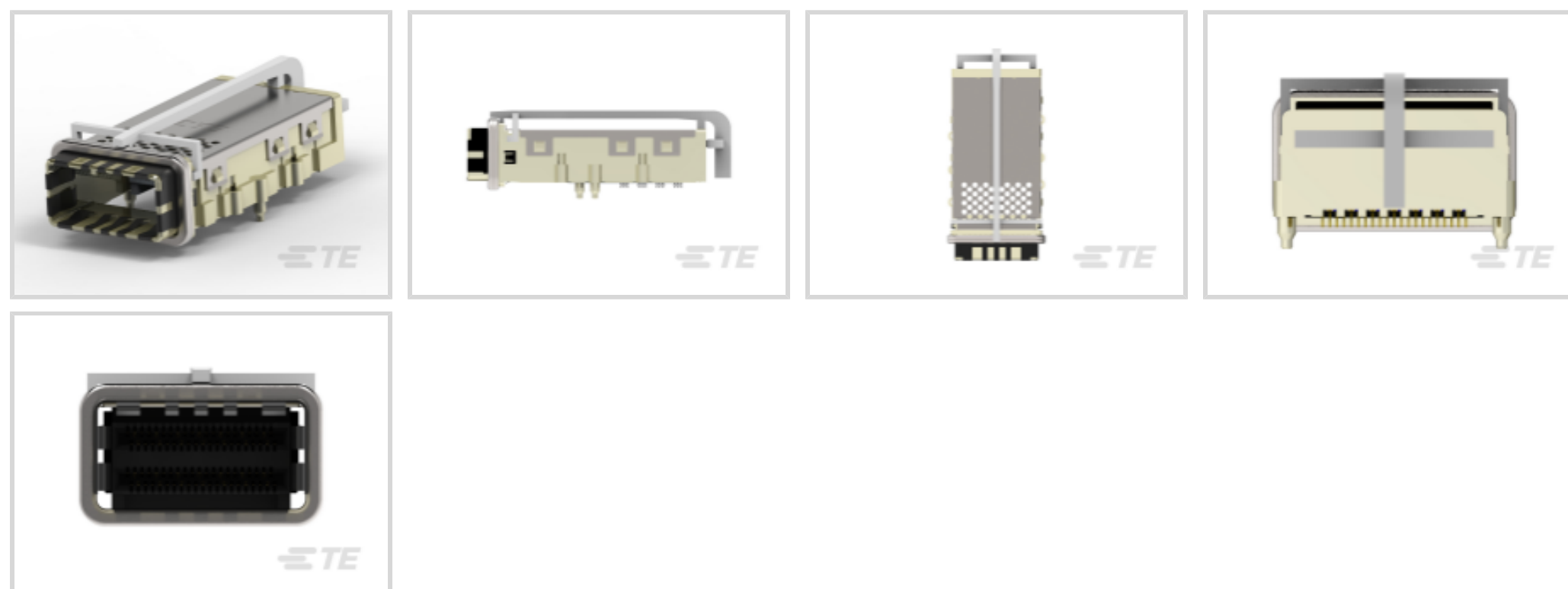




Connectors > Pluggable IO Connectors & Cages > CXP > CXP Receptacle Kits



Pluggable I/O Product Type: **Receptacle Assembly**

PCB Mounting Style: **Single-Sided**

Number of Ports: **1**

Port Matrix Configuration: **1 x 1**

Included Lightpipe: **Yes**

[All CXP Receptacle Kits \(0\)](#)

Features

Product Type Features

Connector & Housing Type	Receptacle
Form Factor	CXP
Cage Type	Single
Pluggable I/O Product Type	Receptacle Assembly
Connector System	Cable-to-Board
Sealable	Yes
Connector & Contact Terminates To	Printed Circuit Board

Configuration Features

Number of Ports	1
Port Matrix Configuration	1 x 1
Lightpipe Configuration	Custom
Lightpipe Profile	Standard
Number of Positions	84

Electrical Characteristics



Data Rate (Max)	125 Gb/s
-----------------	----------

Body Features

Primary Product Plating Material	Tin over Nickel
Cage Plating Material	Tin over Nickel

Contact Features

Contact Mating Area Plating Material	Gold or Gold Flash over Palladium Nickel
Contact Base Material	Copper Alloy

Termination Features

Bezel Mounting Style	Through Bezel
Termination Method to Printed Circuit Board	Through Hole - Press-Fit

Mechanical Attachment

PCB Mounting Style	Single-Sided
Connector Mounting Type	Board Mount

Housing Features

Housing Material	LCP (Liquid Crystal Polymer)
Centerline (Pitch)	.03 mm[.8 in]

Dimensions

PCB Thickness (Recommended)	1.57 mm[.062 in]
-----------------------------	------------------

Usage Conditions

Operating Temperature Range	-40 – 85 °C[-40 – 185 °F]
-----------------------------	---------------------------

Operation/Application

For Use With Pluggable I/O Products	CXP Cable Assembly
Circuit Application	Signal

Industry Standards

UL Flammability Rating	UL 94V-0
------------------------	----------

Packaging Features

Packaging Method	Box & Tray, Tray
------------------	------------------

Other

Included Lightpipe	Yes
EMI Containment Feature Type	Elastomeric Gasket

Product Compliance

[For compliance documentation, visit the product page on TE.com>](#)

EU RoHS Directive 2011/65/EU	Compliant
EU ELV Directive 2000/53/EC	Compliant
China RoHS 2 Directive MIIT Order No 32, 2016	No Restricted Materials Above Threshold
EU REACH Regulation (EC) No. 1907/2006	Current ECHA Candidate List: JUNE 2023 (235) Candidate List Declared Against: JAN 2023 (233) Does not contain REACH SVHC
Halogen Content	Not Low Halogen - contains Br or Cl > 900 ppm.
Solder Process Capability	Not applicable for solder process capability

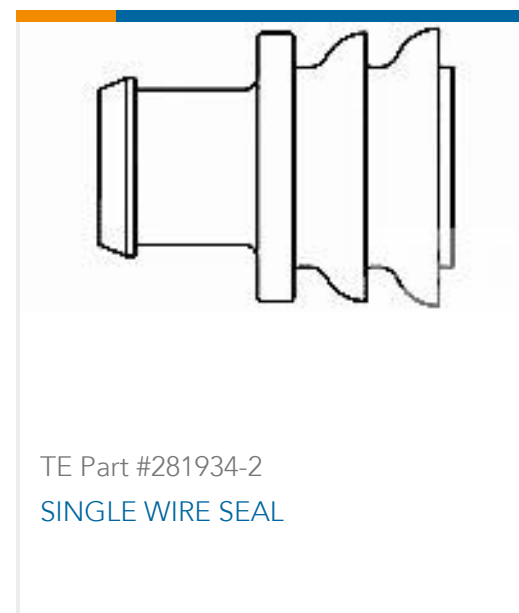
Product Compliance Disclaimer

This information is provided based on reasonable inquiry of our suppliers and represents our current actual knowledge based on the information they provided. This information is subject to change. The part numbers that TE has identified as EU RoHS compliant have a maximum concentration of 0.1% by weight in homogenous materials for lead, hexavalent chromium, mercury, PBB, PBDE, DBP, BBP, DEHP, DIBP, and 0.01% for cadmium, or qualify for an exemption to these limits as defined in the Annexes of Directive 2011/65/EU (RoHS2). Finished electrical and electronic equipment products will be CE marked as required by Directive 2011/65/EU. Components may not be CE marked. Additionally, the part numbers that TE has identified as EU ELV compliant have a maximum concentration of 0.1% by weight in homogenous materials for lead, hexavalent chromium, and mercury, and 0.01% for cadmium, or qualify for an exemption to these limits as defined in the Annexes of Directive 2000/53/EC (ELV). Regarding the REACH Regulation, the information TE provides on SVHC in articles for this part number is based on the latest European Chemicals Agency (ECHA) 'Guidance on requirements for substances in articles' posted at this URL: <https://echa.europa.eu/guidance-documents/guidance-on-reach>

Compatible Parts



Customers Also Bought



Documents

Product Drawings

CXP RCPT KIT 84P SINGLE LIGHTPIPE

English

CAD Files

3D PDF

3D

Customer View Model

[ENG_CVM_CVM_2274784-3_A.2d_dxf.zip](#)

English

Customer View Model

[ENG_CVM_CVM_2274784-3_A.3d_igs.zip](#)

English

Customer View Model

[ENG_CVM_CVM_2274784-3_A.3d_stp.zip](#)

English

By downloading the CAD file I accept and agree to the [Terms and Conditions](#) of use.

Product Specifications

Application Specification

English

Instruction Sheets

Instruction Sheet (U.S.)

English

Instruction Sheet (U.S.)

English



[Instruction Sheet \(U.S.\)](#)

English