

2273124-2 ✓ ACTIVE

TE Internal #: 2273124-2

M8 to M12 Cable Assembly, 3 Position, .6 m, Sensor/Actuator,  
Code A, M8 Plug, M12 Socket, Double Ended, Plastic

[View on TE.com >](#)



[Cable Assemblies > Copper Cable Assemblies > M8/M12 Cable Assemblies > M8 Male Straight to Female LED Double Ended Cable](#)



M8/M12 Application Type: **Sensor/Actuator**

Number of Positions: **3**

Connector & Keying Code: **A**

Connector Type (End A): **M8 Plug**

Connector Type (End B): **M12 Socket**

[All M8 Male Straight to Female LED Double Ended Cable \(20\)](#)

## Features

### Product Type Features

Connector Type (End A)	M8 Plug
Connector Type (End B)	M12 Socket
Cable Assembly Type	M8 to M12

### Configuration Features

Status Indicator Type	LED
Number of Positions	3

### Electrical Characteristics

Operating Voltage	24 VDC
-------------------	--------

### Body Features

Cable Color	Black
Connector Color (End B)	Black
Connector Color (End A)	Black
Jacket Material	PUR
Wire Color (Base)	Brown, Blue, Black
Connector & Keying Code	A

### Contact Features

Contact Current Rating (Max)	4 A
------------------------------	-----



### Mechanical Attachment

Thread Size	M8 x M8
Connector Orientation (End A)	Right Angle
Connector Orientation (End B)	Straight

### Housing Features

Housing Material	Plastic
------------------	---------

### Dimensions

Outside Cable Diameter	4.1 mm[.161 in]
Wire Size	.326 mm <sup>2</sup>

### Usage Conditions

Operating Temperature Range	-40 – 80 °C[-40 – 176 °F]
-----------------------------	---------------------------

### Operation/Application

M8/M12 Application Type	Sensor/Actuator
Shielded	No

### Packaging Features

Packaging Quantity	25
Packaging Method	Box

### Other

Field Serviceable	Yes
Cable Assembly Length	.6 m
Cable Assembly Configuration	Double Ended

### Product Compliance

[For compliance documentation, visit the product page on TE.com>](#)

EU RoHS Directive 2011/65/EU	Compliant
EU ELV Directive 2000/53/EC	Compliant
China RoHS 2 Directive MIIT Order No 32, 2016	No Restricted Materials Above Threshold
EU REACH Regulation (EC) No. 1907/2006	Current ECHA Candidate List: JUNE 2023 (235) Candidate List Declared Against: JAN 2022 (223) Does not contain REACH SVHC
Halogen Content	Low Halogen - Br, Cl, F, I < 900 ppm per homogenous material. Also BFR/CFR/PVC

Free

Solder Process Capability

Not applicable for solder process capability

Product Compliance Disclaimer

This information is provided based on reasonable inquiry of our suppliers and represents our current actual knowledge based on the information they provided. This information is subject to change. The part numbers that TE has identified as EU RoHS compliant have a maximum concentration of 0.1% by weight in homogenous materials for lead, hexavalent chromium, mercury, PBB, PBDE, DBP, BBP, DEHP, DIBP, and 0.01% for cadmium, or qualify for an exemption to these limits as defined in the Annexes of Directive 2011/65/EU (RoHS2). Finished electrical and electronic equipment products will be CE marked as required by Directive 2011/65/EU. Components may not be CE marked. Additionally, the part numbers that TE has identified as EU ELV compliant have a maximum concentration of 0.1% by weight in homogenous materials for lead, hexavalent chromium, and mercury, and 0.01% for cadmium, or qualify for an exemption to these limits as defined in the Annexes of Directive 2000/53/EC (ELV). Regarding the REACH Regulation, the information TE provides on SVHC in articles for this part number is based on the latest European Chemicals Agency (ECHA) 'Guidance on requirements for substances in articles' posted at this URL: <https://echa.europa.eu/guidance-documents/guidance-on-reach>

### Compatible Parts



TE Part # T4051120003-002  
M8 CABLE ST MALE 1.0M 3P PUR  
CABLE

### Customers Also Bought



TE Part #1-2273124-3  
M8 Male Straight to Female LED  
Double Ended Cable



TE Part #T4062113003-005  
RPC-M8-3MS-5.0SH-M8-3FS-PVC



TE Part #T4071017031-001  
M8.FMLE.PNLREAR.3POS.STR WIRE



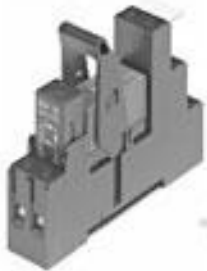
TE Part #T4171330012-001  
M12,FRONT MOUNT,FEMALE,A,12P,  
0.2M WIRE



TE Part #2-520411-2  
ULTRA-FAST 187 ASY REC 22-18 TPBR



TE Part #2-521104-2  
ULTRA-FAST 187 ASY REC 22-18 TPBR



TE Part #4-1415073-1  
RT3S4LC4

### Documents

Product Drawings



### M8 angled scket to M8 strght plug 2 LED

English

---

#### CAD Files

##### 3D PDF

3D

##### Customer View Model

[ENG\\_CVM\\_CVM\\_2273124-2\\_A.2d\\_dxf.zip](#)

English

##### Customer View Model

[ENG\\_CVM\\_CVM\\_2273124-2\\_A.3d\\_igs.zip](#)

English

##### Customer View Model

[ENG\\_CVM\\_CVM\\_2273124-2\\_A.3d\\_stp.zip](#)

English

By downloading the CAD file I accept and agree to the [Terms and Conditions](#) of use.

---

#### Datasheets & Catalog Pages

##### M8 / M12 Connector System Catalog

English

##### M8 / M12 Connector System Catalog

Japanese

---

#### Product Specifications

##### Product Specification

English