



Cable Assemblies > Copper Cable Assemblies > M8/M12 Cable Assemblies > M8 Straight Pigtail, Female



M8/M12 Application Type: **Sensor/Actuator**

Number of Positions: **3**

Connector & Keying Code: **A**

Connector Type (End A): **M8 Socket**

Cable Assembly Type: **M8 Pigtail**

[All M8 Straight Pigtail, Female \(32\)](#)

## Features

### Product Type Features

|                        |            |
|------------------------|------------|
| Connector Type (End A) | M8 Socket  |
| Cable Assembly Type    | M8 Pigtail |

### Configuration Features

|                     |   |
|---------------------|---|
| Number of Positions | 3 |
|---------------------|---|

### Electrical Characteristics

|                   |        |
|-------------------|--------|
| Operating Voltage | 60 VAC |
|-------------------|--------|

### Body Features

|                         |                    |
|-------------------------|--------------------|
| Cable Color             | Black              |
| Connector Color (End A) | Black              |
| Jacket Material         | PUR                |
| Wire Color (Base)       | Brown, Blue, Black |
| Connector & Keying Code | A                  |

### Contact Features

|                              |     |
|------------------------------|-----|
| Contact Current Rating (Max) | 4 A |
|------------------------------|-----|

### Mechanical Attachment

|                               |          |
|-------------------------------|----------|
| Thread Size                   | M8       |
| Connector Orientation (End A) | Straight |



### Housing Features

|                  |         |
|------------------|---------|
| Housing Material | Plastic |
|------------------|---------|

### Dimensions

|                        |                      |
|------------------------|----------------------|
| Outside Cable Diameter | 5 mm [.196 in]       |
| Wire Size              | .326 mm <sup>2</sup> |

### Usage Conditions

|                             |                            |
|-----------------------------|----------------------------|
| Operating Temperature Range | -30 – 80 °C [-22 – 176 °F] |
|-----------------------------|----------------------------|

### Operation/Application

|                         |                 |
|-------------------------|-----------------|
| M8/M12 Application Type | Sensor/Actuator |
| Shielded                | Yes             |

### Packaging Features

|                    |     |
|--------------------|-----|
| Packaging Quantity | 25  |
| Packaging Method   | Box |

### Other

|                              |              |
|------------------------------|--------------|
| Field Serviceable            | Yes          |
| Cable Assembly Length        | 10 m         |
| Cable Assembly Configuration | Single Ended |

### Product Compliance

[For compliance documentation, visit the product page on TE.com>](#)

|   |  |
|---|--|
| EU RoHS Directive 2011/65/EU                  | Compliant  |
| EU ELV Directive 2000/53/EC                   | Compliant  |
| China RoHS 2 Directive MIIT Order No 32, 2016 | No Restricted Materials Above Threshold  |
| EU REACH Regulation (EC) No. 1907/2006        | Current ECHA Candidate List: JUNE 2023 (235)<br>Candidate List Declared Against: JUL 2021 (219)<br>Does not contain REACH SVHC |
| Halogen Content                               | Low Halogen - Br, Cl, F, I < 900 ppm per homogenous material. Also BFR/CFR/PVC Free  |
| Solder Process Capability                     | Not applicable for solder process capability   |

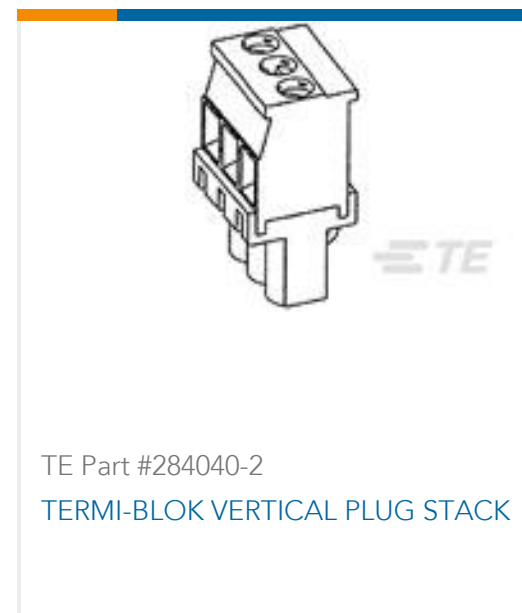
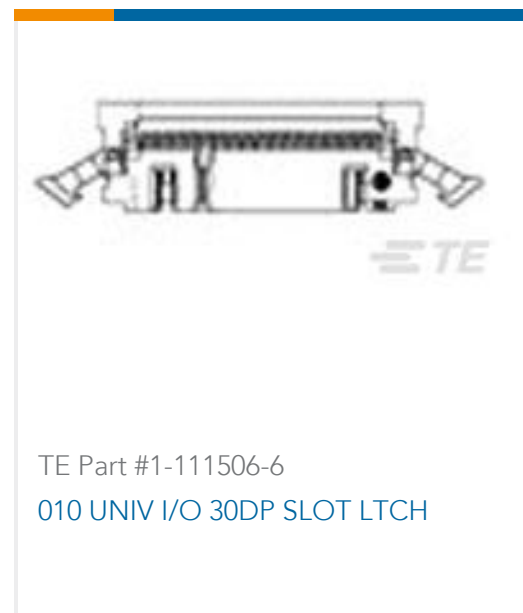
Product Compliance Disclaimer

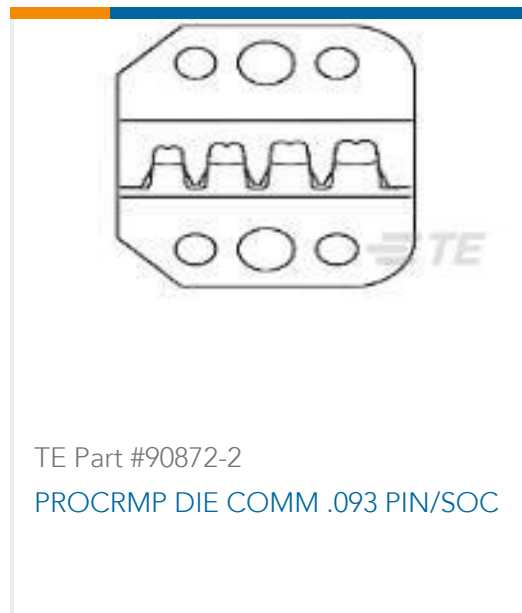
This information is provided based on reasonable inquiry of our suppliers and represents our current actual knowledge based on the information they provided. This information is subject to change. The part numbers that TE has identified as EU RoHS compliant have a maximum concentration of 0.1% by weight in homogenous materials for lead, hexavalent chromium, mercury, PBB, PBDE, DBP, BBP, DEHP, DIBP, and 0.01% for cadmium, or qualify for an exemption to these limits as defined in the Annexes of Directive 2011/65/EU (RoHS2). Finished electrical and electronic equipment products will be CE marked as required by Directive 2011/65/EU. Components may not be CE marked. Additionally, the part numbers that TE has identified as EU ELV compliant have a maximum concentration of 0.1% by weight in homogenous materials for lead, hexavalent chromium, and mercury, and 0.01% for cadmium, or qualify for an exemption to these limits as defined in the Annexes of Directive 2000/53/EC (ELV). Regarding the REACH Regulation, the information TE provides on SVHC in articles for this part number is based on the latest European Chemicals Agency (ECHA) 'Guidance on requirements for substances in articles' posted at this URL: <https://echa.europa.eu/guidance-documents/guidance-on-reach>

## Compatible Parts



## Customers Also Bought





## Documents

### Product Drawings

[M8 x 1.0 straight socket Pigtail Shld](#)

English

### CAD Files

[3D PDF](#)

3D

[Customer View Model](#)

[ENG\\_CVM\\_CVM\\_2273005-4\\_A.2d\\_dxf.zip](#)

English

[Customer View Model](#)

[ENG\\_CVM\\_CVM\\_2273005-4\\_A.3d\\_igs.zip](#)

English

[Customer View Model](#)

[ENG\\_CVM\\_CVM\\_2273005-4\\_A.3d\\_stp.zip](#)

English

By downloading the CAD file I accept and agree to the [Terms and Conditions](#) of use.

### Datasheets & Catalog Pages

[M8 / M12 Connector System Catalog](#)

English

[M8 / M12 Connector System Catalog](#)

Japanese

### Product Specifications

[Product Specification](#)

English