

226600-1 ✓ ACTIVE

TE Internal #: 226600-1

Mini UHF RF Interface, Plug, 50 Ω , RG 58A / RG 58C / RG 58, Snap-On, .3 GHz Operating Frequency, Cable-to-Cable, 1 Position, Wire & Cable

[View on TE.com >](#)



Connectors > RF Connectors > Coax Connectors



RF Interface: **Mini UHF**

RF Connector Style: **Plug**

RF Connector Mated Outer Diameter (Approximate): **11.68 mm [.46 in]**

Impedance: **50 Ω**

Compatible With RF Cable Type: **RG 58, RG 58A, RG 58B, RG 58C**

Features

Product Type Features

RF Interface	Mini UHF
RF Connector Style	Plug
Compatible With RF Cable Type	RG 58, RG 58A, RG 58B, RG 58C
Connector System	Cable-to-Cable
Sealable	No
Connector & Contact Terminates To	Wire & Cable

Configuration Features

Number of Positions	1
Number of Coaxial Contacts	1

Electrical Characteristics

Impedance	50 Ω
-----------	-------------

Body Features

Cable Connector Orientation	Straight
Body Material	Brass
Body Plating Material	Nickel

Contact Features

RF Connector Center Contact Underplating Material	Copper, Nickel
Crimp Type	Dual



RF Connector Center Contact Plating Material	Tin
--	-----

RF Connector Center Contact Material	Brass
--------------------------------------	-------

Termination Features

Termination Method to Wire & Cable	Crimp
------------------------------------	-------

Mechanical Attachment

RF Connector Coupling Mechanism	Snap-On
---------------------------------	---------

Connector Mounting Type	Cable Mount (Free-Hanging)
-------------------------	----------------------------

RF Contact Captivation Method	Mechanical
-------------------------------	------------

Detent	Without
--------	---------

Dimensions

RF Connector Mated Outer Diameter (Approximate)	11.68 mm[.46 in]
---	------------------

Usage Conditions

Operating Temperature Range	-25 – 70 °C[-13 – 158 °F]
-----------------------------	---------------------------

Operation/Application

Operating Frequency	.3 GHz
---------------------	--------

Packaging Features

Packaging Method	Carton
------------------	--------

Other

Dielectric Material	Polypropylene
---------------------	---------------

Product Compliance

For compliance documentation, visit the product page on [TE.com](https://www.te.com)>

EU RoHS Directive 2011/65/EU	Compliant with Exemptions
------------------------------	---------------------------

EU ELV Directive 2000/53/EC	Compliant with Exemptions
-----------------------------	---------------------------

China RoHS 2 Directive MIIT Order No 32, 2016	Restricted Materials Above Threshold
---	--------------------------------------

EU REACH Regulation (EC) No. 1907/2006	Current ECHA Candidate List: JUNE 2023 (235)
--	--

Candidate List Declared Against: JUNE 2023 (235)

SVHC > Threshold:

Pb (3.7% in Component Part)

Article Safe Usage Statements:

Do not eat, drink or smoke when using this product. Wash thoroughly after handling. Recycle if possible and dispose of the article by following all applicable governmental regulations relevant to your geographic location.

Halogen Content	Low Halogen - Br, Cl, F, I < 900 ppm per homogenous material. Also BFR/CFR/PVC
-----------------	--

Free

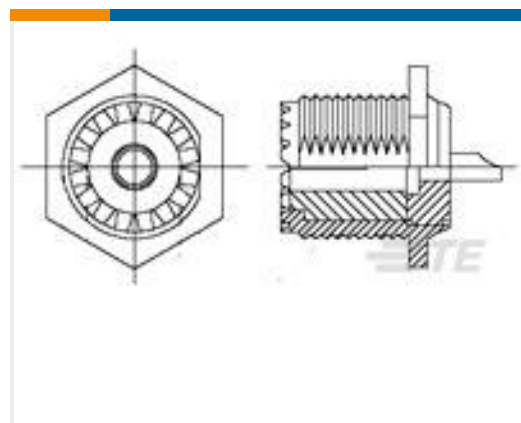
Solder Process Capability

Not applicable for solder process capability

Product Compliance Disclaimer

This information is provided based on reasonable inquiry of our suppliers and represents our current actual knowledge based on the information they provided. This information is subject to change. The part numbers that TE has identified as EU RoHS compliant have a maximum concentration of 0.1% by weight in homogenous materials for lead, hexavalent chromium, mercury, PBB, PBDE, DBP, BBP, DEHP, DIBP, and 0.01% for cadmium, or qualify for an exemption to these limits as defined in the Annexes of Directive 2011/65/EU (RoHS2). Finished electrical and electronic equipment products will be CE marked as required by Directive 2011/65/EU. Components may not be CE marked. Additionally, the part numbers that TE has identified as EU ELV compliant have a maximum concentration of 0.1% by weight in homogenous materials for lead, hexavalent chromium, and mercury, and 0.01% for cadmium, or qualify for an exemption to these limits as defined in the Annexes of Directive 2000/53/EC (ELV). Regarding the REACH Regulation, the information TE provides on SVHC in articles for this part number is based on the latest European Chemicals Agency (ECHA) 'Guidance on requirements for substances in articles' posted at this URL: <https://echa.europa.eu/guidance-documents/guidance-on-reach>

Compatible Parts



TE Part # 5226601-1
UHF SOLDER PANEL MINIATURE



TE Part # 5226601-3
UHF SOLDER PANEL MINIATURE



TE Part # 5414477-1
MINIATURE UHF JACK

Customers Also Bought



TE Part #320574
TERMINAL,PIDG R 16-14 10




TE Part #1775470-4
AMP HPI 2.0 mm Headers



TE Part #2176231-6
SMD Power Resistor: 3 Watt, 1% Tol



TE Part #4-2176057-3
RLP73K 3A R56 1% 1K RL



PITCH BATTERY



TE Part #1437664-6
NC6-P107-04=NC6 ASSEMBLY



TE Part #42282-1
FF 250 REC 18-14AWG BR LP



TE Part #8-1618404-1
LEV200AKNAF=RELAY, SPST-NO 72VDC

Documents

Product Drawings



UHF PLUG-MINIATURE

English

CAD Files

3D PDF

3D

Customer View Model

[ENG_CVM_CVM_226600-1_T.2d_dxf.zip](#)

English

Customer View Model

[ENG_CVM_CVM_226600-1_T.3d_igs.zip](#)

English

Customer View Model

[ENG_CVM_CVM_226600-1_T.3d_stp.zip](#)

English

By downloading the CAD file I accept and agree to the [Terms and Conditions](#) of use.

Product Specifications

Product Specification

English

Connectors, UHF, Miniature Type

English

Product Environmental Compliance

Product Compliance

English

Product Compliance

English

Instruction Sheets

Instruction Sheet (U.S.)

English