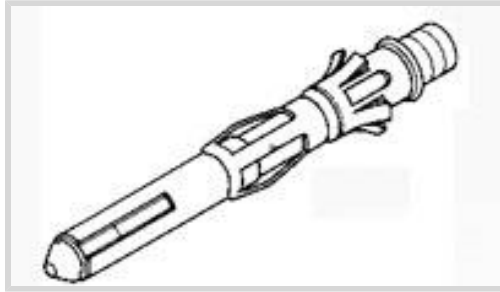




TE Internal #: 226537-3  
 RF Contacts, Cable-to-Cable, Wire & Cable, Vertical, Pin, Straight,  
 RG 178A / RG 178B / RG 196DB, Gold, Power & Signal, Cable  
 Mount (Free-Hanging)

[View on TE.com >](#)

Connectors > RF Connectors > RF Contacts



Connector System: **Cable-to-Cable**  
 Connector & Contact Terminates To: **Wire & Cable**  
 PCB Mount Orientation: **Vertical**  
 Contact Type: **Pin**  
 Contact Orientation: **Straight**

**Features**

**Product Type Features**

Connector System	Cable-to-Cable
Connector & Contact Terminates To	Wire & Cable
Compatible With RF Cable Type	RG 178, RG 178A, RG 178B, RG 196, RG 196A, RG 196DB

**Configuration Features**

PCB Mount Orientation	Vertical
-----------------------	----------

**Electrical Characteristics**

Impedance Options	Non-Matched
-------------------	-------------

**Body Features**

Outer Shell Material	Brass
----------------------	-------

**Contact Features**

	30 $\mu$ m
RF Connector Center Contact Material	Beryllium Copper
Contact Type	Pin
Contact Orientation	Straight
RF Connector Center Contact Plating Material	Gold
Contact Mating Retention	Without

**Mechanical Attachment**

Connector Mounting Type	Cable Mount (Free-Hanging)
-------------------------	----------------------------



### Operation/Application

Circuit Application	Power & Signal
---------------------	----------------

### Packaging Features

Packaging Method	Carton
------------------	--------

### Other

RF Connector Comment	A ferrule is required for each pin and socket., Extraction Tool No. 305183
Dielectric Material	TPX

### Product Compliance

[For compliance documentation, visit the product page on TE.com>](#)

EU RoHS Directive 2011/65/EU	Compliant
EU ELV Directive 2000/53/EC	Compliant
China RoHS 2 Directive MIIT Order No 32, 2016	No Restricted Materials Above Threshold
EU REACH Regulation (EC) No. 1907/2006	Current ECHA Candidate List: JUNE 2023 (235) Candidate List Declared Against: JUNE 2023 (235) Does not contain REACH SVHC
Halogen Content	Low Halogen - Br, Cl, F, I < 900 ppm per homogenous material. Also BFR/CFR/PVC Free
Solder Process Capability	Not applicable for solder process capability

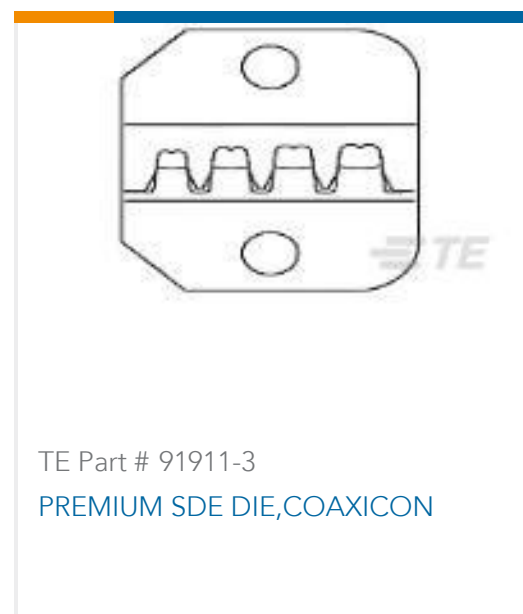
#### Product Compliance Disclaimer

This information is provided based on reasonable inquiry of our suppliers and represents our current actual knowledge based on the information they provided. This information is subject to change. The part numbers that TE has identified as EU RoHS compliant have a maximum concentration of 0.1% by weight in homogenous materials for lead, hexavalent chromium, mercury, PBB, PBDE, DBP, BBP, DEHP, DIBP, and 0.01% for cadmium, or qualify for an exemption to these limits as defined in the Annexes of Directive 2011/65/EU (RoHS2). Finished electrical and electronic equipment products will be CE marked as required by Directive 2011/65/EU. Components may not be CE marked. Additionally, the part numbers that TE has identified as EU ELV compliant have a maximum concentration of 0.1% by weight in homogenous materials for lead, hexavalent chromium, and mercury, and 0.01% for cadmium, or qualify for an exemption to these limits as defined in the Annexes of Directive 2000/53/EC (ELV). Regarding the REACH Regulation, the information TE provides on SVHC in articles for this part number is based on the latest European Chemicals Agency (ECHA) 'Guidance on requirements for substances in articles' posted at this URL: <https://echa.europa.eu/guidance-documents/guidance-on-reach>

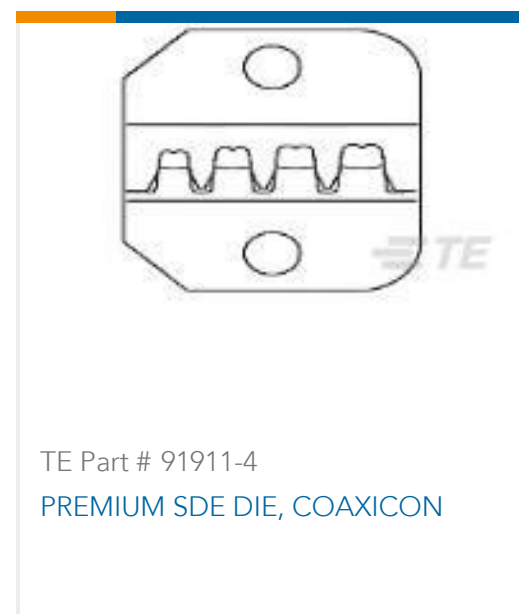
### Compatible Parts



TE Part # 354940-1  
PRO-CRIMPER III FRAME W/O DIES



TE Part # 91911-3  
PREMIUM SDE DIE, COAXICON

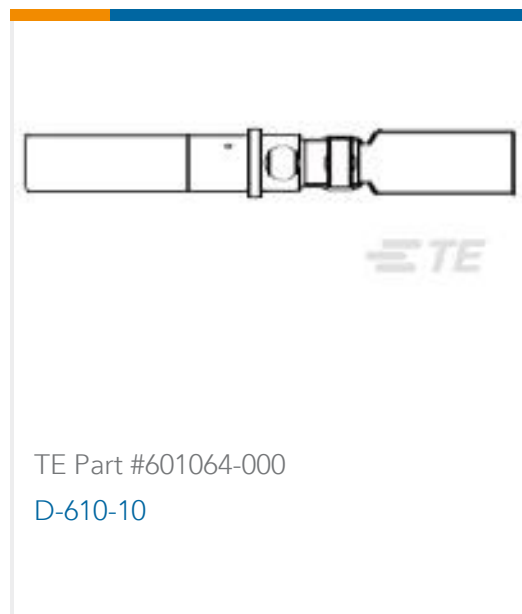


TE Part # 91911-4  
PREMIUM SDE DIE, COAXICON



TE Part # 69690-2  
SUBMINIATURE COAXICON RG-178,196 DIE SET

## Customers Also Bought



TE Part #601064-000  
D-610-10



TE Part #1-350715-1  
06P UMNL V0 PLUG HSG BROWN



TE Part #2267087-7  
RMS1R102VS2QES



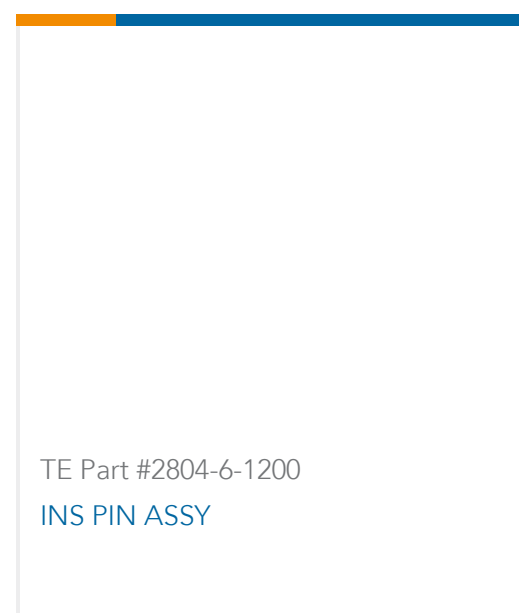
TE Part #178497-1  
UNIV. POWER HDR H 4P 3.96MM NA



TE Part #2132415-8  
EP2.5 Shrouded HDR ASSY 8P VERT w /o boss



TE Part #1-1969543-6  
ASSY, HDR, VERT, BOSSED, DUAL ROW, EP2.5



TE Part #2804-6-1200  
INS PIN ASSY



TE Part #3-1416010-2  
RE034018

## Documents

### Product Drawings

#### SUB MIN PIN MULTI MATE

English

### CAD Files

#### 3D PDF

English

#### Customer View Model

[ENG\\_CVM\\_226537-3\\_N.2d\\_dxf.zip](#)

English

#### Customer View Model

[ENG\\_CVM\\_226537-3\\_N.3d\\_igs.zip](#)

English

#### Customer View Model

[ENG\\_CVM\\_226537-3\\_N.3d\\_stp.zip](#)

English

By downloading the CAD file I accept and agree to the [Terms and Conditions](#) of use.



### Datasheets & Catalog Pages

[AMP Circular Connectors for Commercial Signal & Power Applications](#)

English

[COAXICON Contacts](#)

English

[Coaxial Contacts](#)

English

[M\\_SERIES\\_PIN\\_AND\\_SOCKET\\_CONNECTORS](#)

English

---

### Instruction Sheets

[Instruction Sheet \(U.S.\)](#)

Japanese

[Instruction Sheet \(U.S.\)](#)

English

---

### Agency Approvals

[Agency Approval Document](#)

English