



Connectors > Rectangular Connectors > Connector Contacts



Contact Type: **Pin**

Wire Size: **.14 – .5 mm²**

Connector & Contact Terminates To: **Wire & Cable**

Features

Product Type Features

Connector & Contact Terminates To	Wire & Cable
-----------------------------------	--------------

Contact Features

Contact Type	Pin
--------------	-----

Dimensions

Wire Size	.14 – .5 mm ²
-----------	--------------------------

Packaging Features

Packaging Quantity	20
Packaging Method	Package

Product Compliance

[For compliance documentation, visit the product page on TE.com>](#)

EU RoHS Directive 2011/65/EU	Compliant with Exemptions
EU ELV Directive 2000/53/EC	Compliant with Exemptions
China RoHS 2 Directive MIIT Order No 32, 2016	Restricted Materials Above Threshold
EU REACH Regulation (EC) No. 1907/2006	Current ECHA Candidate List: JUNE 2023 (235) Candidate List Declared Against: JUNE 2023 (235) SVHC > Threshold: Pb (1.2% in Part component) Article Safe Usage Statements: Do not eat, drink or smoke when using this product. Wash thoroughly after handling. Recycle if possible and dispose of the article by following all applicable governmental regulations relevant to your geographic location.
Halogen Content	Low Halogen - Br, Cl, F, I < 900 ppm per

homogenous material. Also BFR/CFR/PVC Free

Solder Process Capability

Not applicable for solder process capability

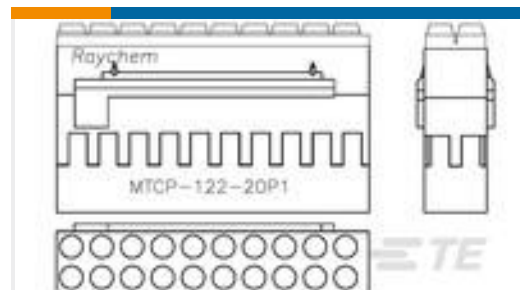
Product Compliance Disclaimer

This information is provided based on reasonable inquiry of our suppliers and represents our current actual knowledge based on the information they provided. This information is subject to change. The part numbers that TE has identified as EU RoHS compliant have a maximum concentration of 0.1% by weight in homogenous materials for lead, hexavalent chromium, mercury, PBB, PBDE, DBP, BBP, DEHP, DIBP, and 0.01% for cadmium, or qualify for an exemption to these limits as defined in the Annexes of Directive 2011/65/EU (RoHS2). Finished electrical and electronic equipment products will be CE marked as required by Directive 2011/65/EU. Components may not be CE marked. Additionally, the part numbers that TE has identified as EU ELV compliant have a maximum concentration of 0.1% by weight in homogenous materials for lead, hexavalent chromium, and mercury, and 0.01% for cadmium, or qualify for an exemption to these limits as defined in the Annexes of Directive 2000/53/EC (ELV). Regarding the REACH Regulation, the information TE provides on SVHC in articles for this part number is based on the latest European Chemicals Agency (ECHA) 'Guidance on requirements for substances in articles' posted at this URL: <https://echa.europa.eu/guidance-documents/guidance-on-reach>

Compatible Parts



TE Part # 953371-000
MTCP-122-20P



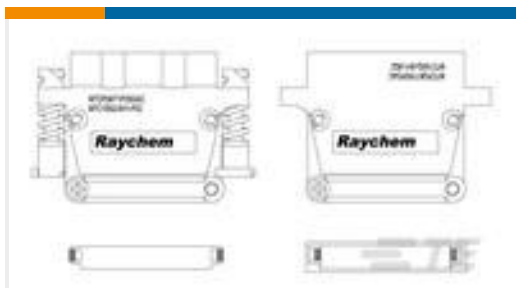
TE Part # 603431-000
MTCP-122-20P1



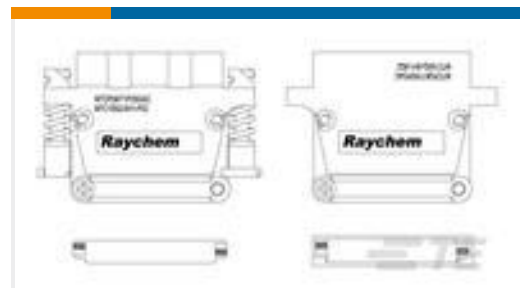
TE Part # 196877-000
MTCP-122-20P1



TE Part # 555747-000
MTCP-122-20PQ2



TE Part # CA7503-000
MTCPOKT2P26SGCA



TE Part # CL9426-000
MTCPOKT2P22PFDB

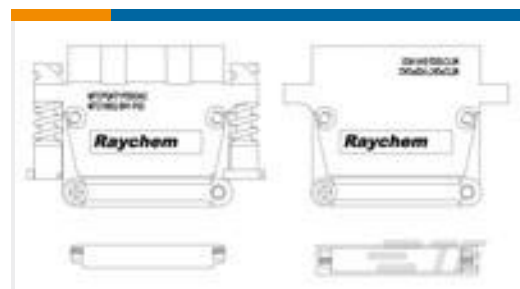


TE Part # 850957-000
MTCP-122-20PQ

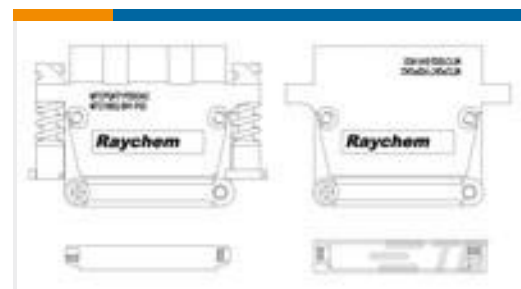


TE Part # A56800-000
MTCPOKT1P2PGCC

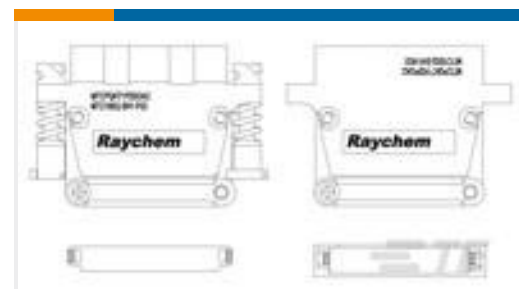
TE Part # C36940-000
MTCPOKT1P2PGDD



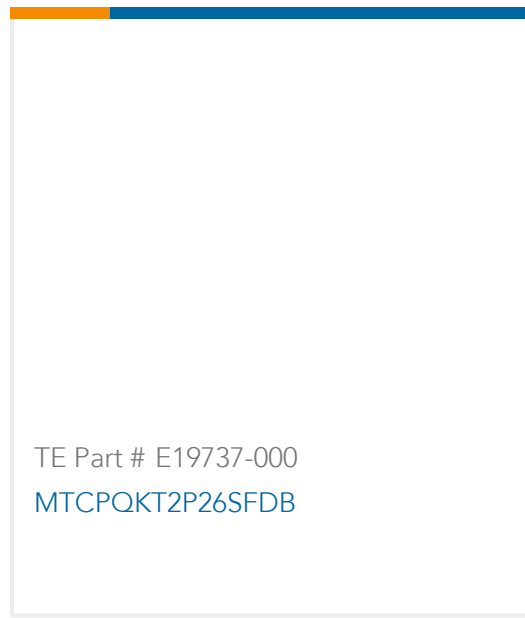
TE Part # D75728-000
MTCPOKT2P22PGBB



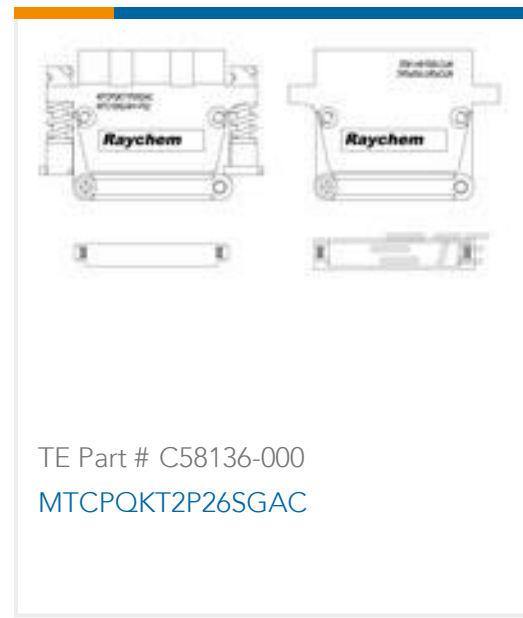
TE Part # E91412-000
MTCPOKT2P26SFAD



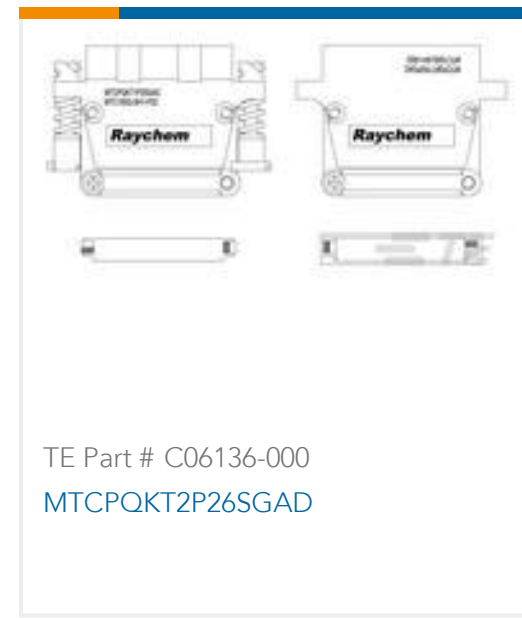
TE Part # D39878-000
MTCPOKT2P26SFCA



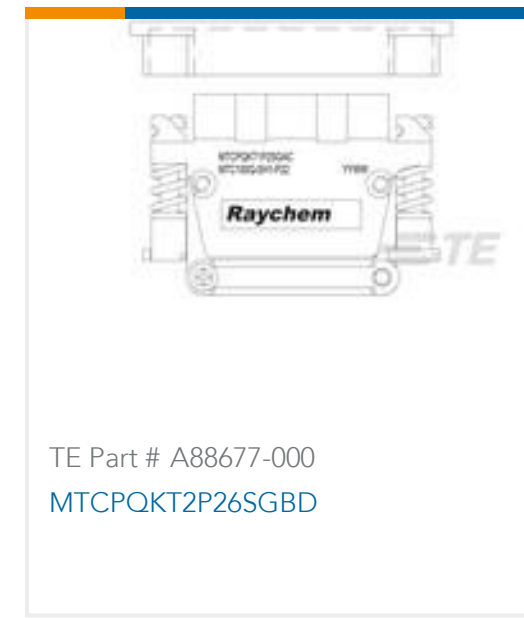
TE Part # E19737-000
MTCPOKT2P26SFDB



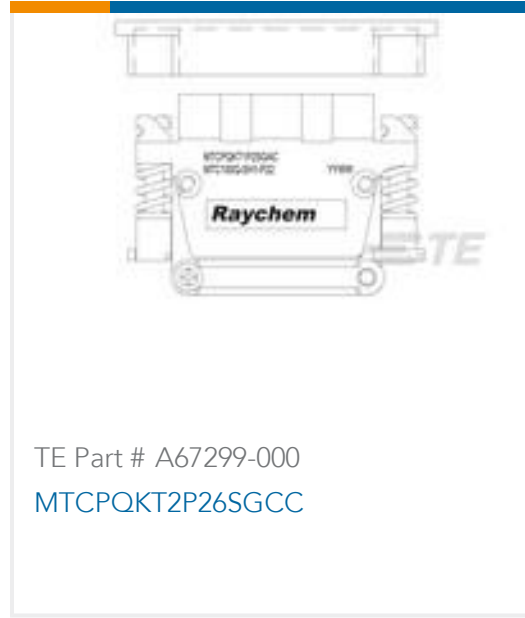
TE Part # C58136-000
MTCPOKT2P26SGAC



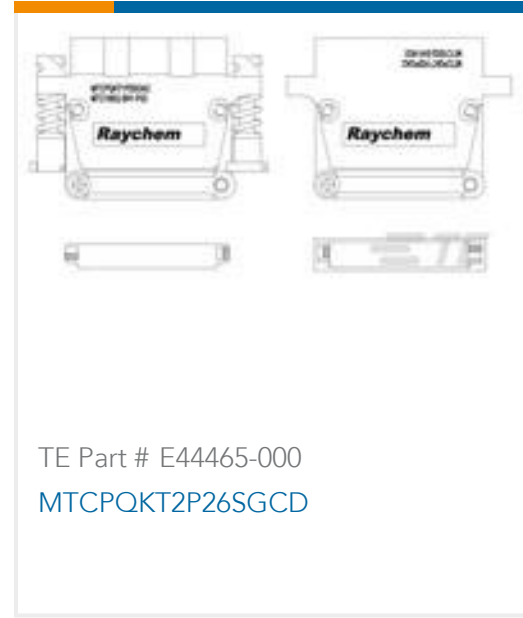
TE Part # C06136-000
MTCPOKT2P26SGAD



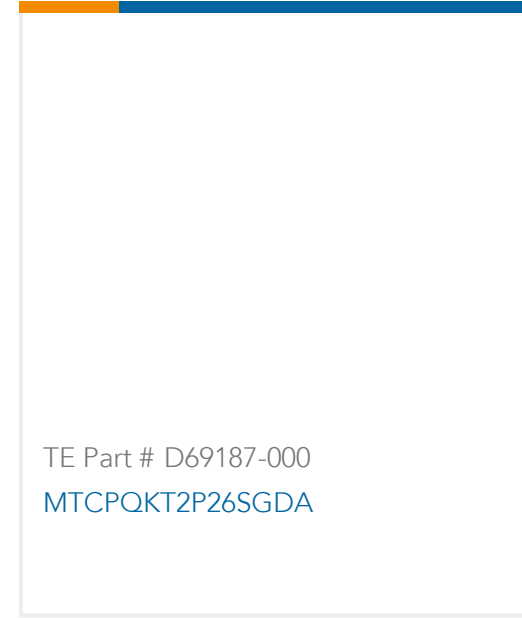
TE Part # A88677-000
MTCPOKT2P26SGBD



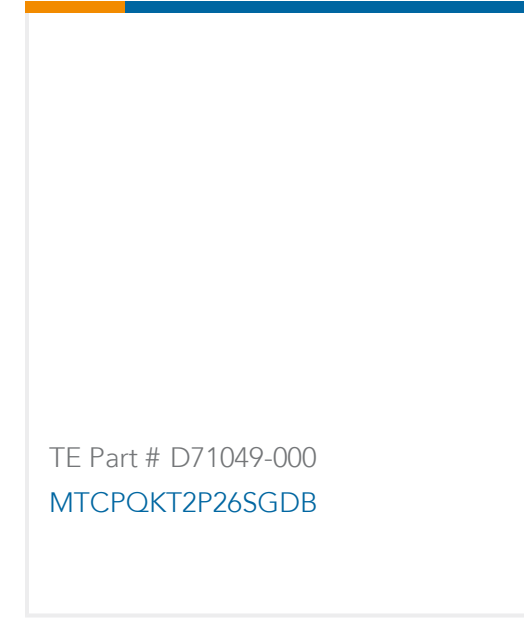
TE Part # A67299-000
MTCPOKT2P26SGCC



TE Part # E44465-000
MTCPOKT2P26SGCD



TE Part # D69187-000
MTCPOKT2P26SGDA



TE Part # D71049-000
MTCPOKT2P26SGDB

Customers Also Bought



TE Part #4160-202-2031L
CONT PIN



TE Part #555747-000
MTCP-122-20PQ2



TE Part #ZPF000000000107200
787-8055-11M



TE Part #513319-000
MTC100Q-SH2-P22



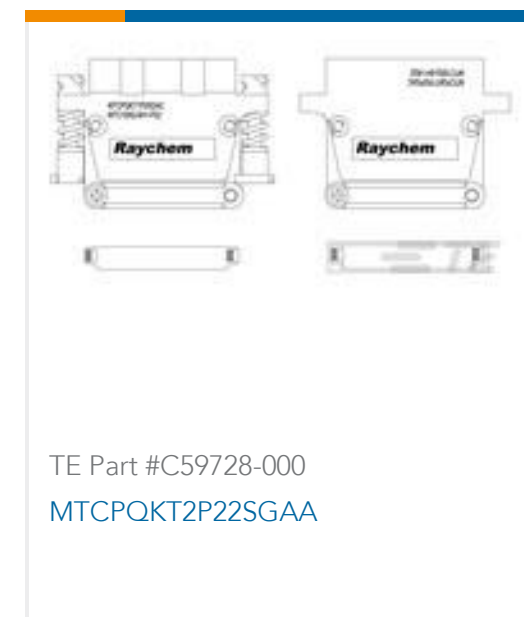
TE Part #496587-000
MTC100Q-SH1-P22



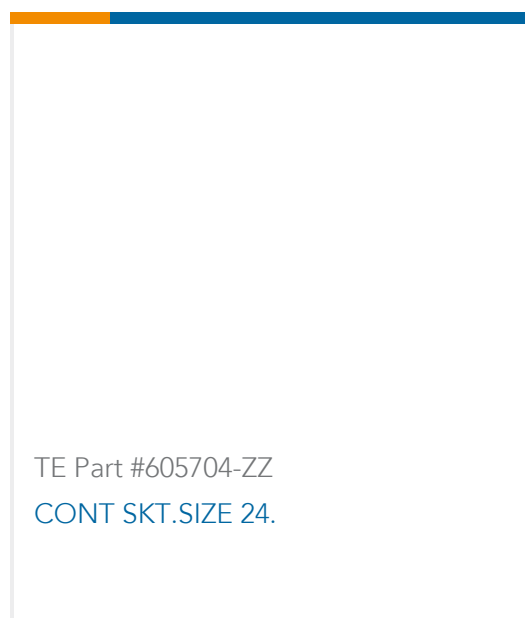
TE Part #056763-000
MTC100Q-SH1-R22



TE Part #966585-000
MTC100-SH2-F33



TE Part #C59728-000
MTCPOKT2P22SGAA



TE Part #605704-ZZ
CONT SKT.SIZE 24.

Documents



Product Drawings

CTA-0166

English

CAD Files

3D PDF

3D

Customer View Model

[ENG_CVM_CVM_226335-000_J.2d_dxf.zip](#)

English

Customer View Model

[ENG_CVM_CVM_226335-000_J.3d_igs.zip](#)

English

Customer View Model

[ENG_CVM_CVM_226335-000_J.3d_stp.zip](#)

English

By downloading the CAD file I accept and agree to the [Terms and Conditions](#) of use.

Datasheets & Catalog Pages

Products for Aerospace and Defense

English

Product Specifications

MTC Quick-Disconnect Connectors with Removable Contacts

English

MTC Connectors with Removable Contacts and Jackscrew Coupling Hardware

English

Product Environmental Compliance

TE Material Declaration

English