



Connectors > PCB Connectors > Backplane Connectors > Backplane Guide Hardware



Connector Guide Hardware Type: **Guide Pin Module**

Features

Product Type Features

Connector Guide Hardware Type	Guide Pin Module
-------------------------------	------------------

Configuration Features

PCB Mount Orientation	Vertical
-----------------------	----------

Body Features

Guide Component Plating Material Finish Process	Passivated
-------------------------------------------------	------------

Guide Component Base Material	Stainless Steel
-------------------------------	-----------------

Mechanical Attachment

Thread Size	M4 x 0.7-6G
-------------	-------------

Dimensions

Thread Length	7.5 mm [.295 in]
---------------	------------------

Packaging Features

Packaging Quantity	1000
--------------------	------

Packaging Method	Box
------------------	-----

Other

Connector Accessory Comment	With 6.35 mm [.250 in.] Hex Base.
-----------------------------	-----------------------------------

Product Compliance

[For compliance documentation, visit the product page on TE.com>](#)



EU RoHS Directive 2011/65/EU	Compliant
EU ELV Directive 2000/53/EC	Compliant
China RoHS 2 Directive MIIT Order No 32, 2016	No Restricted Materials Above Threshold
EU REACH Regulation (EC) No. 1907/2006	Current ECHA Candidate List: JUNE 2023 (235) Candidate List Declared Against: JUNE 2023 (235) Does not contain REACH SVHC
Halogen Content	Low Halogen - Br, Cl, F, I < 900 ppm per homogenous material. Also BFR/CFR/PVC Free
Solder Process Capability	Not applicable for solder process capability

Product Compliance Disclaimer

This information is provided based on reasonable inquiry of our suppliers and represents our current actual knowledge based on the information they provided. This information is subject to change. The part numbers that TE has identified as EU RoHS compliant have a maximum concentration of 0.1% by weight in homogenous materials for lead, hexavalent chromium, mercury, PBB, PBDE, DBP, BBP, DEHP, DIBP, and 0.01% for cadmium, or qualify for an exemption to these limits as defined in the Annexes of Directive 2011/65/EU (RoHS2). Finished electrical and electronic equipment products will be CE marked as required by Directive 2011/65/EU. Components may not be CE marked. Additionally, the part numbers that TE has identified as EU ELV compliant have a maximum concentration of 0.1% by weight in homogenous materials for lead, hexavalent chromium, and mercury, and 0.01% for cadmium, or qualify for an exemption to these limits as defined in the Annexes of Directive 2000/53/EC (ELV). Regarding the REACH Regulation, the information TE provides on SVHC in articles for this part number is based on the latest European Chemicals Agency (ECHA) 'Guidance on requirements for substances in articles' posted at this URL: <https://echa.europa.eu/guidance-documents/guidance-on-reach>

Compatible Parts

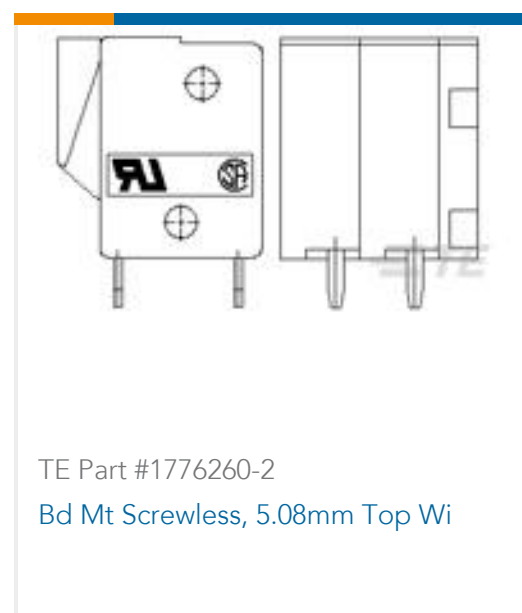


TE Part # 5223957-3
UPM GUIDE MODULE

Customers Also Bought



TE Part #1-1462037-1
IM02JR=IM RELAY 140mW 4.5V



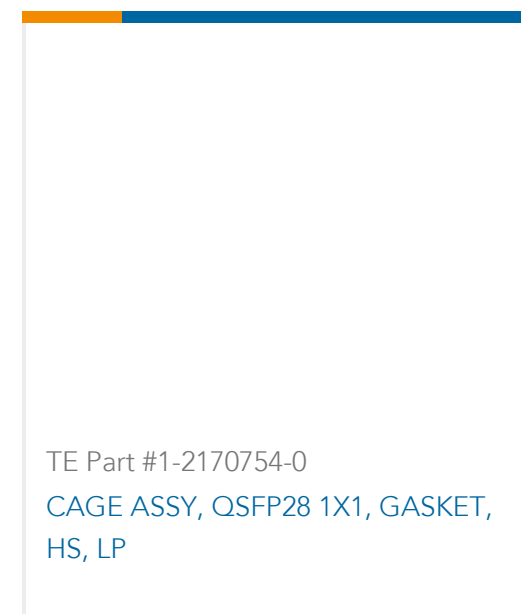
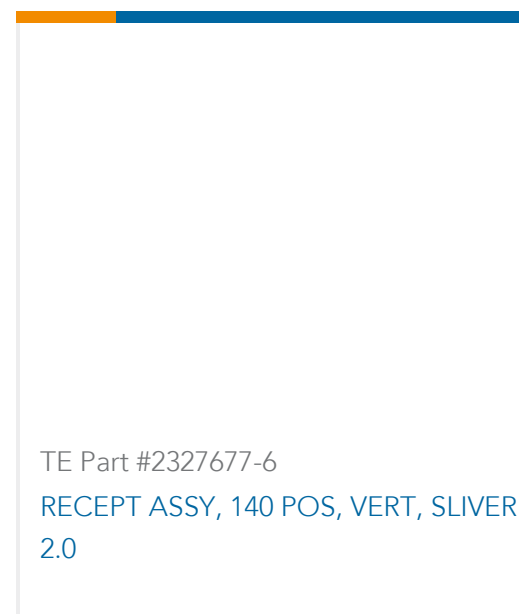
TE Part #1776260-2
Bd Mt Screwless, 5.08mm Top Wi



TE Part #2187510-1
SW PIR HDR BP, 100OHM, 4X6 OEW



TE Part #2007847-3
IMP100S,H,V5P10C,RG,LEW39,5.5



Documents

Product Drawings

Stainless Steel Guide Pin M4x0.7

English

CAD Files

3D PDF

3D

Customer View Model

[ENG_CVM_CVM_223982-1_B.2d_dxf.zip](#)

English

Customer View Model

[ENG_CVM_CVM_223982-1_B.3d_igs.zip](#)

English

Customer View Model

[ENG_CVM_CVM_223982-1_B.3d_stp.zip](#)

English

By downloading the CAD file I accept and agree to the [Terms and Conditions](#) of use.

Datasheets & Catalog Pages

High Speed Backplane Connectors catalog - Z-PACK HS3 Connector

English

[POWER_CONNECTORS_CATALOG_SEC01_BOARD_TO_BOARD](#)

English

[2_PIECE_POWER_CONNECTORS_qrg_4-1773458-1](#)

English

Product Specifications

Engineering Report

English

Product Environmental Compliance

Product Compliance Document

English

Product Compliance Document

English

