



Connectors > PCB Connectors > Backplane Connectors > Backplane Guide Hardware



Connector Guide Hardware Type: **Guide Pin Module**

Features

Product Type Features

Connector Guide Hardware Type	Guide Pin Module
-------------------------------	------------------

Configuration Features

PCB Mount Orientation	Vertical
-----------------------	----------

Body Features

Guide Component Plating Material Finish Process	Passivated
Guide Component Base Material	Stainless Steel

Mechanical Attachment

Thread Size	8-32 UNC-2A
-------------	-------------

Dimensions

Guide Length	25.16 mm[.99 in]
Thread Length	12.7 mm[.5 in]
Product Length	25.16 mm

Packaging Features

Packaging Quantity	1000
Packaging Method	Bag

Other

Connector Accessory Comment	With 5.92 mm [.233 in.] Oblong Base.
-----------------------------	--------------------------------------

Product Compliance

[For compliance documentation, visit the product page on TE.com>](#)

EU RoHS Directive 2011/65/EU	Compliant
EU ELV Directive 2000/53/EC	Compliant

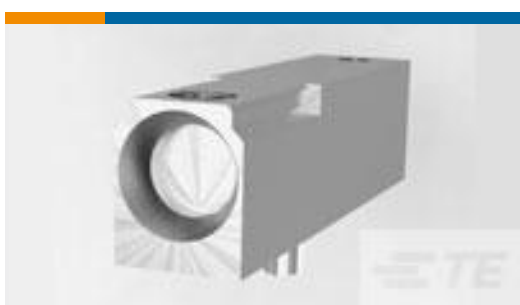


China RoHS 2 Directive MIIT Order No 32, 2016	No Restricted Materials Above Threshold
EU REACH Regulation (EC) No. 1907/2006	Current ECHA Candidate List: JUNE 2023 (235) Candidate List Declared Against: JUNE 2023 (235) Does not contain REACH SVHC
Halogen Content	Low Halogen - Br, Cl, F, I < 900 ppm per homogenous material. Also BFR/CFR/PVC Free
Solder Process Capability	Not applicable for solder process capability

Product Compliance Disclaimer

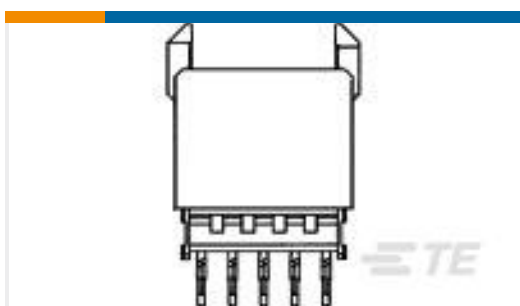
This information is provided based on reasonable inquiry of our suppliers and represents our current actual knowledge based on the information they provided. This information is subject to change. The part numbers that TE has identified as EU RoHS compliant have a maximum concentration of 0.1% by weight in homogenous materials for lead, hexavalent chromium, mercury, PBB, PBDE, DBP, BBP, DEHP, DIBP, and 0.01% for cadmium, or qualify for an exemption to these limits as defined in the Annexes of Directive 2011/65/EU (RoHS2). Finished electrical and electronic equipment products will be CE marked as required by Directive 2011/65/EU. Components may not be CE marked. Additionally, the part numbers that TE has identified as EU ELV compliant have a maximum concentration of 0.1% by weight in homogenous materials for lead, hexavalent chromium, and mercury, and 0.01% for cadmium, or qualify for an exemption to these limits as defined in the Annexes of Directive 2000/53/EC (ELV). Regarding the REACH Regulation, the information TE provides on SVHC in articles for this part number is based on the latest European Chemicals Agency (ECHA) 'Guidance on requirements for substances in articles' posted at this URL: <https://echa.europa.eu/guidance-documents/guidance-on-reach>

Compatible Parts



TE Part # 5223957-3
UPM GUIDE MODULE

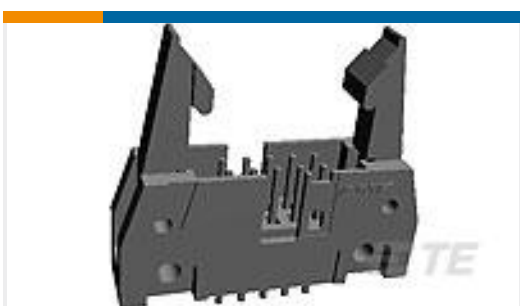
Customers Also Bought



TE Part #5106773-1
Z-PACK/A VF 110P



TE Part #1462038-2
IM03CGR=IM RELAY 140mW 5V HDV



TE Part #5499374-4
A/L UNIV HDR 20P VERT SHT LAT



TE Part #5100159-1
2MM HDR, 55 POS EXTN MOD



Documents

CAD Files

3D PDF

3D

Customer View Model

[ENG_CVM_CVM_223969-4_K.2d_dxf.zip](#)

English

Customer View Model

[ENG_CVM_CVM_223969-4_K.3d_igs.zip](#)

English

Customer View Model

[ENG_CVM_CVM_223969-4_K.3d_stp.zip](#)

English

By downloading the CAD file I accept and agree to the [Terms and Conditions](#) of use.

Datasheets & Catalog Pages

[High Speed Backplane Connectors catalog - Z-PACK HM-Zd Connector](#)

English

[High Speed Backplane Connectors catalog - Z-PACK HS3 Connector](#)

English

[POWER_CONNECTORS_CATALOG_SEC01_BOARD_TO_BOARD](#)

English

[2_PIECE_POWER_CONNECTORS_qrg_4-1773458-1](#)

English

Product Specifications

[Engineering Report](#)

English



Product Environmental Compliance

[MD_223969-4_11202014543_dmtec](#)

English

[MD_223969-4_11202014543_dmtec](#)

English