

2238156-1 ✓ ACTIVE

Positive Lock | Mark II, Positive Lock 250

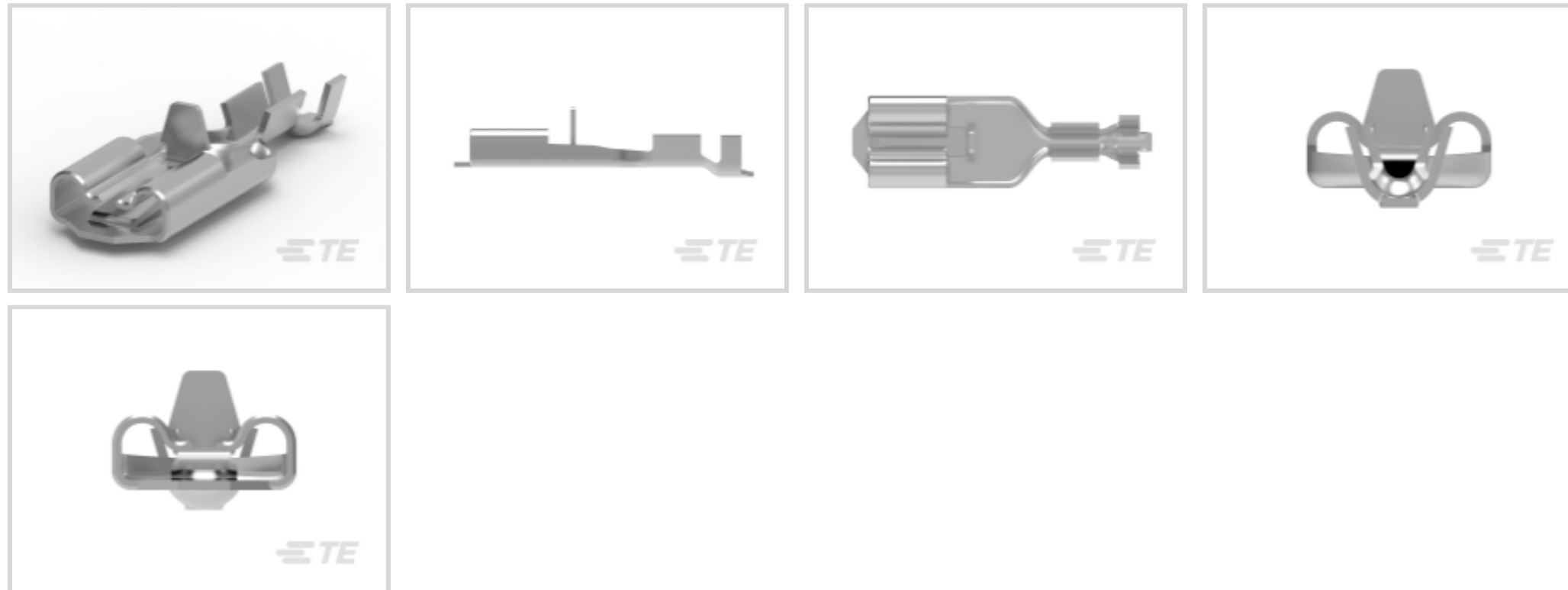
TE Internal #: 2238156-1

Quick Disconnects, Receptacle, 22 – 18 AWG Wire Size, .32 – .82 mm² Wire Size, Mating Tab Width 6.35 mm [.25 in], Straight, Brass, Positive Lock 250

[View on TE.com >](#)



Terminals & Splices > Quick Disconnects



Quick Disconnect Terminal Type: **Receptacle**

Wire Size: .32 – .82 mm²

Mating Tab Width: 6.35 mm [.25 in]

Mating Tab Thickness: .81 mm [.032 in]

Features

Product Type Features

Insertion Force	Low
-----------------	-----

Configuration Features

Connection Capacity	Single
---------------------	--------

Compatible With Wire & Cable Type	Discrete Wire
-----------------------------------	---------------

Contact Features

Quick Disconnect Terminal Type	Receptacle
--------------------------------	------------

Mating Tab Width	6.35 mm [.25 in]
------------------	------------------

Mating Tab Thickness	.81 mm [.032 in]
----------------------	------------------

Terminal Orientation	Straight
----------------------	----------

Contact Base Material	Brass
-----------------------	-------

Terminal Plating Material	Tin
---------------------------	-----

Crimp Type	F-Crimp
------------	---------

Barrel Type	Open
-------------	------

Termination Features



Product Terminates To	Wire & Cable
-----------------------	--------------

Mechanical Attachment

Wire Insulation Support	With
Mating Retention Type	Dimple

Dimensions

Terminal Material Thickness	.41 mm[.016 in]
Compatible Insulation Diameter Range	1.52 – 2.54 mm[.06 – .1 in]
Wire Size	.32 – .82 mm ²

Usage Conditions

Insulation Option	Uninsulated
Operating Temperature Range	-40 – 110 °C[-40 – 230 °F]

Packaging Features

Packaging Quantity	6000
Packaging Method	Strip/Reel

Product Compliance

[For compliance documentation, visit the product page on TE.com>](#)

EU RoHS Directive 2011/65/EU	Compliant
EU ELV Directive 2000/53/EC	Compliant
China RoHS 2 Directive MIIT Order No 32, 2016	No Restricted Materials Above Threshold
EU REACH Regulation (EC) No. 1907/2006	Current ECHA Candidate List: JUNE 2023 (235) Candidate List Declared Against: JUNE 2023 (235) Does not contain REACH SVHC
Halogen Content	Low Halogen - Br, Cl, F, I < 900 ppm per homogenous material. Also BFR/CFR/PVC Free
Solder Process Capability	Not reviewed for solder process capability

Product Compliance Disclaimer

This information is provided based on reasonable inquiry of our suppliers and represents our current actual knowledge based on the information they provided. This information is subject to change. The part numbers that TE has identified as EU RoHS compliant have a maximum concentration of 0.1% by weight in homogenous materials for lead, hexavalent chromium, mercury, PBB, PBDE, DBP, BBP, DEHP, DIBP, and 0.01% for cadmium, or qualify for an exemption to these limits as defined in the Annexes of Directive 2011/65/EU (RoHS2). Finished electrical and electronic equipment products will be CE marked as required by Directive 2011/65/EU. Components may not be CE marked. Additionally, the part numbers that TE has identified as EU ELV compliant have a maximum concentration of 0.1% by weight in homogenous materials for lead, hexavalent chromium, and mercury, and 0.01% for cadmium, or qualify for an exemption to these limits

as defined in the Annexes of Directive 2000/53/EC (ELV). Regarding the REACH Regulation, the information TE provides on SVHC in articles for this part number is based on the latest European Chemicals Agency (ECHA) 'Guidance on requirements for substances in articles' posted at this URL: <https://echa.europa.eu/guidance-documents/guidance-on-reach>

Compatible Parts



TE Part # 172076-6
POSITIVE LOCK 250 HOUSING RECEPTACLE



TE Part # 172076-1
POSITIVE LOCK 250 HOUSING RECEPTACLE



TE Part # 1897058-1
CONNECTOR .125/.250 SERIES



TE Part # 1969864-1
2P, 250 SERIES, POSITIVE LOCK MARK II



TE Part # 2-521229-1
PL EXII & FASTON 250 HSG 2P NAT



TE Part # 172076-2
PL MKII 250 REC HSG 1P NYLON BLACK



TE Part # 178833-1
POSITIVE LOCK .250 HOUSING RECEPTACLE



TE Part # 521229-1
PL 250 HOUSING RECEPTACLE NYLON 6/6



TE Part # 177627-1
PL .250 (6.3 MM) HOUSING RECEPTACLE



TE Part # 172076-7
PL MKII 250 REC HSG 1P NYLON RED



TE Part # 174429-1
PL 250 HOUSING RECEPTACLE



TE Part # 1969820-1
250 HIGH TEMP POS LOCK HSG LCP



TE Part # 172076-4
POSITIVE LOCK 250 HOUSING RECEPTACLE



TE Part # 172076-5
POSITIVE LOCK 250 HOUSING RECEPTACLE



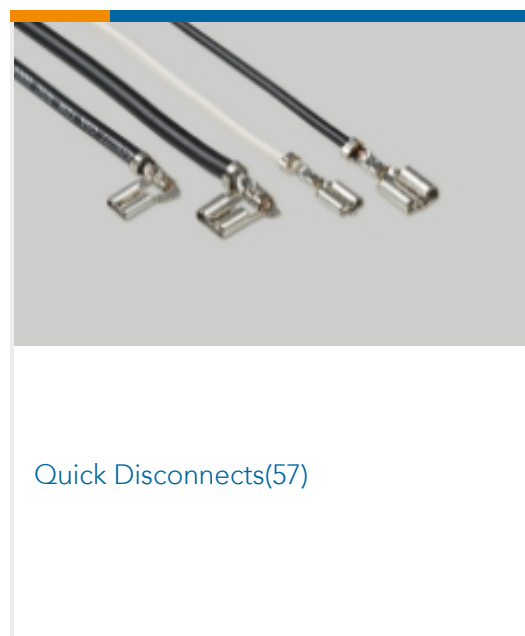
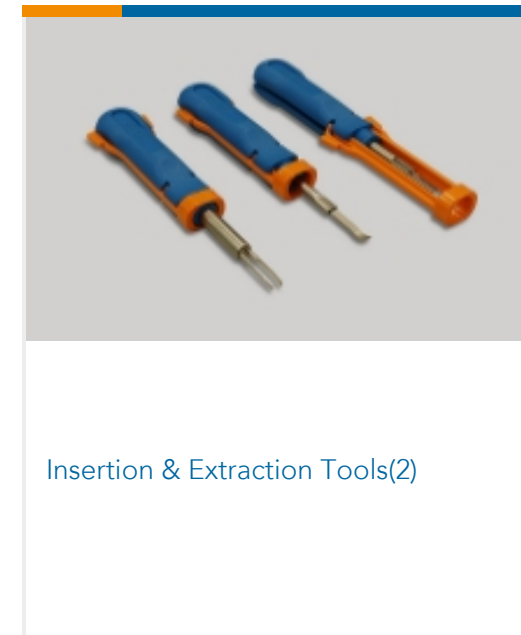
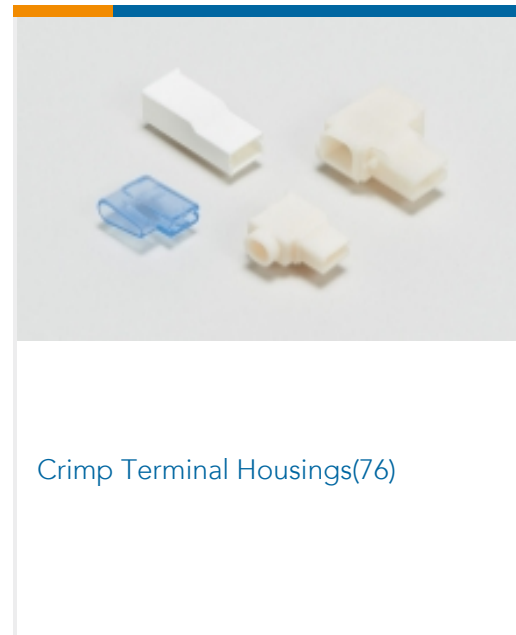
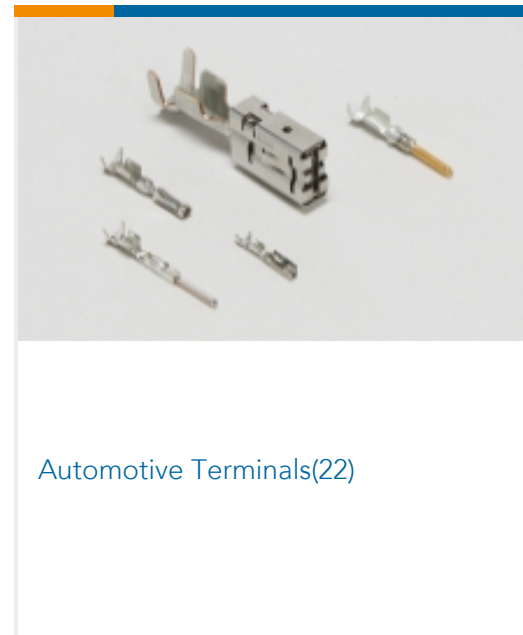
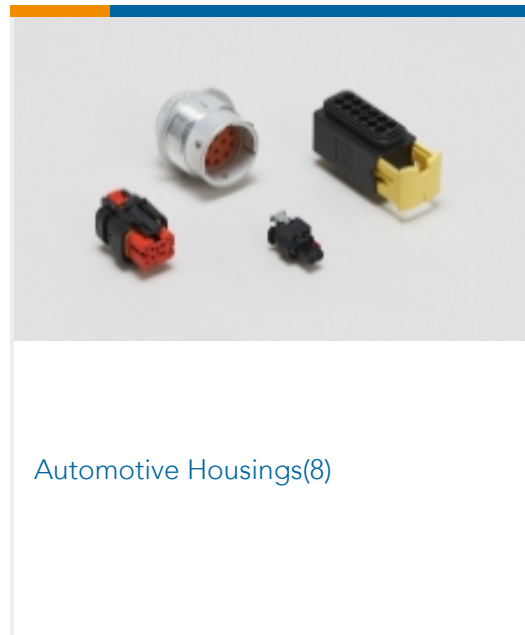
TE Part # 521229-2
PL 250 HOUSING RECEPTACLE RED NYLON 6/6



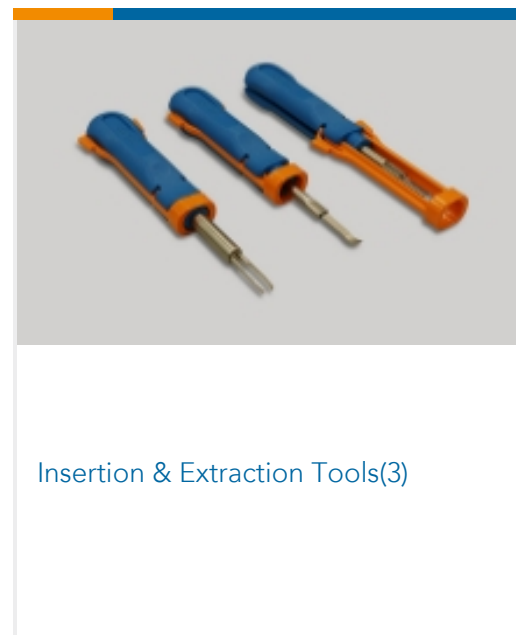
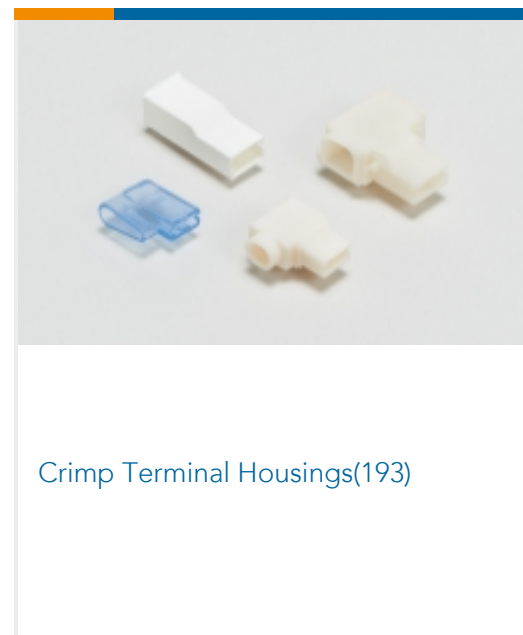
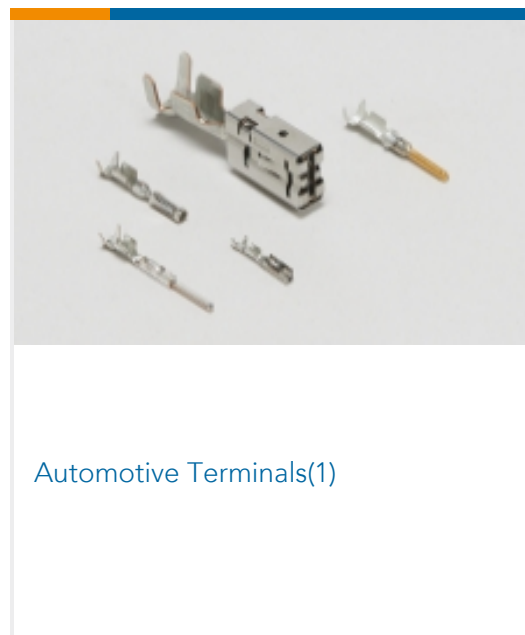
TE Part # 1969332-2
POSITIVE LOCK 250 HOUSING RECEPTACLE



Also in the Series | **Mark II**



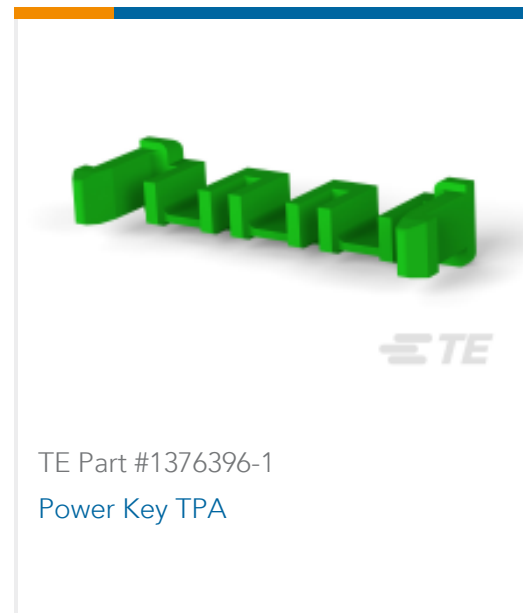
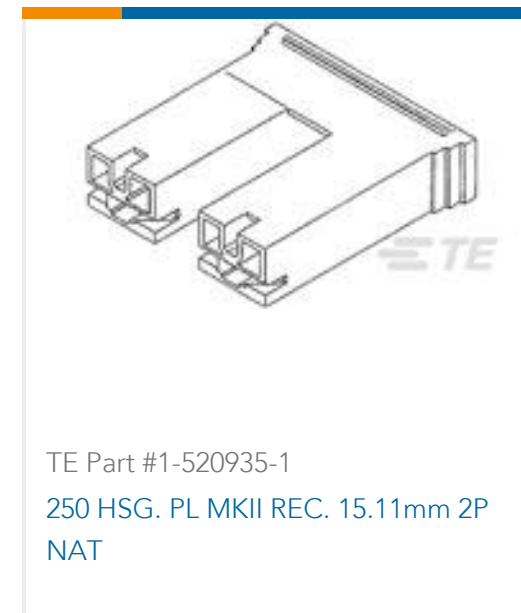
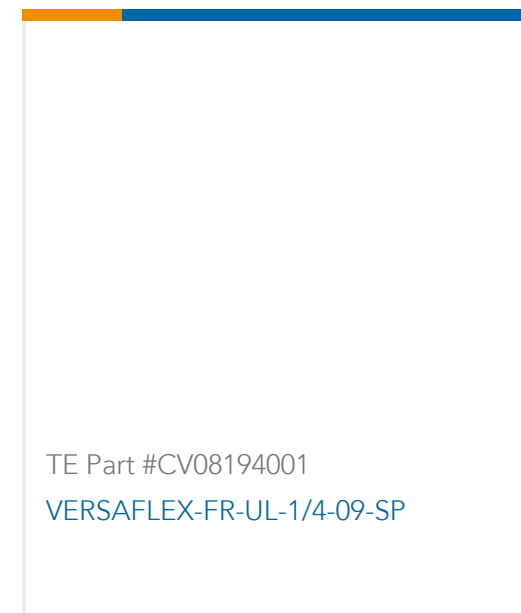
Also in the Series | **Positive Lock 250**





Quick Disconnects(186)

Customers Also Bought

TE Part #1971777-3
PTL TPA HIGH TEMP 1 x 3 BLACKTE Part #1376396-1
Power Key TPATE Part #41124
RING .190 (4.82 MM) 12-10 AWG TPBRTE Part #1-520935-1
250 HSG. PL MKII REC. 15.11mm 2P
NATTE Part #794714-1
06P UMNL CAP HSG NATL,PAN MNTTE Part #42800-2
187 FASTON REC 20-16 AWG TPBRTE Part #1-2324579-0
HOUSING, PLUG, 10P,DUAL ROW,
EP2.5TE Part #CV08194001
VERSAFLEX-FR-UL-1/4-09-SP

Documents

Product Drawings

[POS LOCK 250 Rec, MKII, 22-18 TPBR](#)

English

CAD Files

[3D PDF](#)

3D

Customer View Model

[ENG_CVM_CVM_2238156-1_B.2d_dxf.zip](#)

English

Customer View Model

[ENG_CVM_CVM_2238156-1_B.3d_igs.zip](#)

English

Customer View Model

[ENG_CVM_CVM_2238156-1_B.3d_stp.zip](#)

English

By downloading the CAD file I accept and agree to the [Terms and Conditions](#) of use.



Datasheets & Catalog Pages

[POS_LOCK_MIL_QRG](#)

English

Product Specifications

[Application Specification](#)

English

Product Environmental Compliance

[Product Compliance](#)

English

[Product Compliance](#)

English