



Economy Power 2.5

TE Internal #: 2238007-1

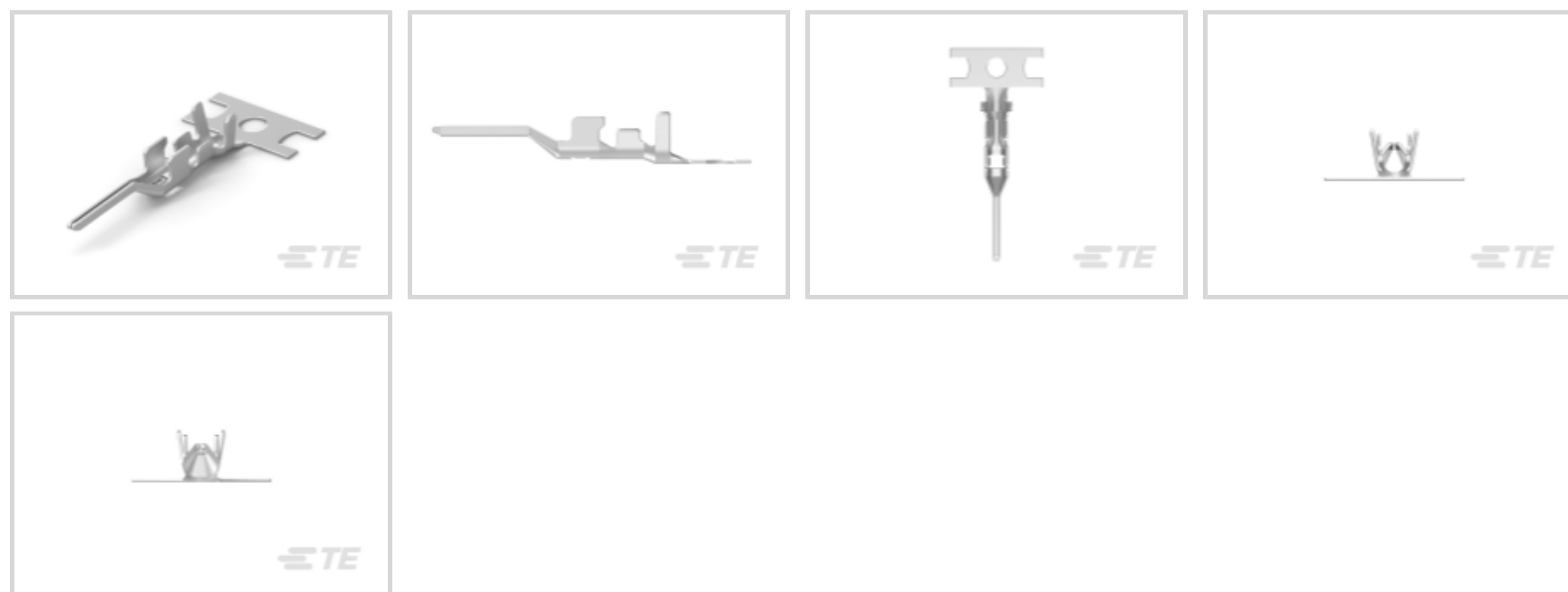
Connector Contact, Pin, Wire-to-Wire, 26 – 22 AWG Wire Size, .13 –

.36 mm<sup>2</sup> Wire Size, Tin, Box & Carton, Wire & Cable, 4.5 A,

Economy Power 2.5

[View on TE.com >](#)

Connectors > PCB Connectors > Wire-to-Board Connectors > Wire-to-Board Connector Contacts



Contact Type: **Pin**

Connector System: **Wire-to-Wire**

Centerline (Pitch): **2.5 mm [ .098 in ]**

Wire Size: **.13 – .36 mm<sup>2</sup>**

**Features**

**Product Type Features**

Connector System	Wire-to-Wire
Connector & Contact Terminates To	Wire & Cable

**Configuration Features**

Compatible With Wire & Cable Type	Discrete Wire
-----------------------------------	---------------

**Electrical Characteristics**

Operating Voltage	250 VAC
-------------------	---------

**Contact Features**

Contact Mating Area Length	7.49 mm[.295 in]
Mating Square Post Dimension	.6 mm[.023 in]
Wire Contact Termination Area Plating Thickness	.8 μm
Wire Contact Termination Area Plating Material Finish	Matte
Wire Contact Termination Area Plating Material	Tin
Contact Mating Area Plating Material Thickness	.8 μm[31.49 μin]
Contact Length	12.8 mm[.504 in]



Contact Base Material	Brass
-----------------------	-------

Contact Type	Pin
--------------	-----

Contact Mating Area Plating Material	Tin
--------------------------------------	-----

Contact Current Rating (Max)	4.5 A
------------------------------	-------

### Termination Features

Termination Method to Wire & Cable	Crimp
------------------------------------	-------

### Mechanical Attachment

Connector Mounting Type	Cable Mount (Free-Hanging)
-------------------------	----------------------------

### Housing Features

Centerline (Pitch)	2.5 mm[.098 in]
--------------------	-----------------

### Dimensions

Compatible Insulation Diameter Range	1.3 – 1.7 mm[.051 – .067 in]
--------------------------------------	------------------------------

Wire Size	.13 – .36 mm <sup>2</sup>
-----------	---------------------------

### Usage Conditions

Operating Temperature Range	-55 – 105 °C[-67 – 221 °F]
-----------------------------	----------------------------

### Operation/Application

Circuit Application	Signal
---------------------	--------

### Packaging Features

Packaging Quantity	8000
--------------------	------

Packaging Method	Box & Carton
------------------	--------------

### Product Compliance

[For compliance documentation, visit the product page on TE.com>](#)

EU RoHS Directive 2011/65/EU	Compliant
------------------------------	-----------

EU ELV Directive 2000/53/EC	Compliant
-----------------------------	-----------

China RoHS 2 Directive MIIT Order No 32, 2016	No Restricted Materials Above Threshold
---	---

EU REACH Regulation (EC) No. 1907/2006	Current ECHA Candidate List: JUNE 2023 (235) Candidate List Declared Against: JUNE 2023 (235) Does not contain REACH SVHC
--	---

Halogen Content	Low Halogen - Br, Cl, F, I < 900 ppm per homogenous material. Also BFR/CFR/PVC Free
-----------------	---



Solder Process Capability

Not reviewed for solder process capability

Product Compliance Disclaimer

This information is provided based on reasonable inquiry of our suppliers and represents our current actual knowledge based on the information they provided. This information is subject to change. The part numbers that TE has identified as EU RoHS compliant have a maximum concentration of 0.1% by weight in homogenous materials for lead, hexavalent chromium, mercury, PBB, PBDE, DBP, BBP, DEHP, DIBP, and 0.01% for cadmium, or qualify for an exemption to these limits as defined in the Annexes of Directive 2011/65/EU (RoHS2). Finished electrical and electronic equipment products will be CE marked as required by Directive 2011/65/EU. Components may not be CE marked. Additionally, the part numbers that TE has identified as EU ELV compliant have a maximum concentration of 0.1% by weight in homogenous materials for lead, hexavalent chromium, and mercury, and 0.01% for cadmium, or qualify for an exemption to these limits as defined in the Annexes of Directive 2000/53/EC (ELV). Regarding the REACH Regulation, the information TE provides on SVHC in articles for this part number is based on the latest European Chemicals Agency (ECHA) 'Guidance on requirements for substances in articles' posted at this URL: <https://echa.europa.eu/guidance-documents/guidance-on-reach>

Compatible Parts



TE Part # 1969443-6  
EP 2.5 TPA Retainer, 6 Pos



TE Part # 2305570-1  
Strip Terminal Cutter-Side Feed-No Crimp



TE Part # 1-1744439-8  
EP2.5 Shrd HDR ASSY 18P VERT, GW



TE Part # 1-1969589-5  
HSG, REC,FREE-HANG,GWT, SINGLE ROW,EP2.5



TE Part # 2-1969541-0  
RETAINER, TPA, DUAL ROW, EP2.5



TE Part # 2-2151950-1  
OCEAN\_2.0\_Applicator-S-055F070F



TE Part # 2-2151950-2  
OCEAN\_2.0\_Applicator-S-055F070F



TE Part # 2151950-1  
OCEAN\_2.0\_Applicator-S-055F070F



TE Part # 2151950-2  
OCEAN\_2.0\_Applicator-S-055F070F



TE Part # 2382224-1  
EP 2.5 RCPT CONTACT, 26-22 AWG, Low IF



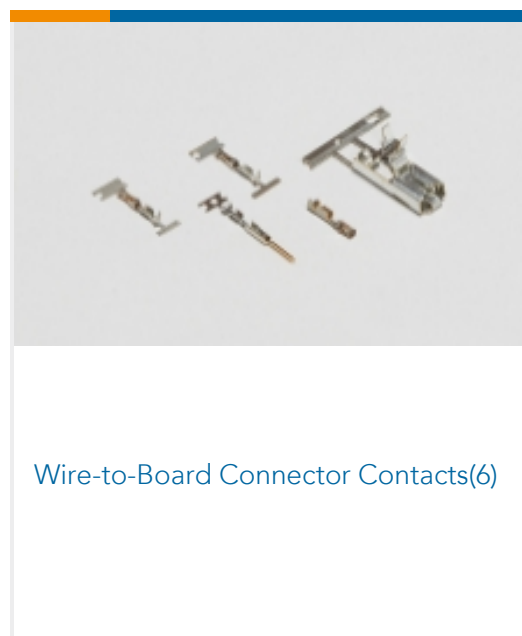
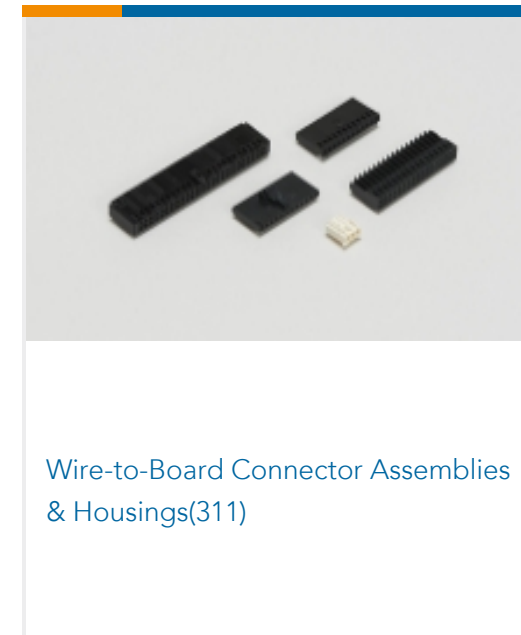
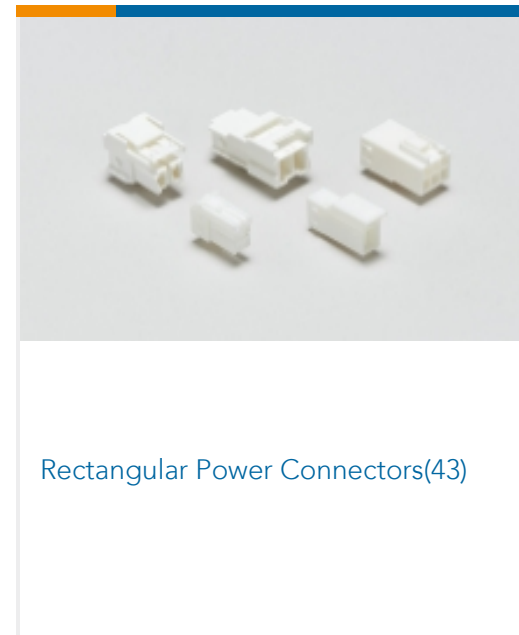
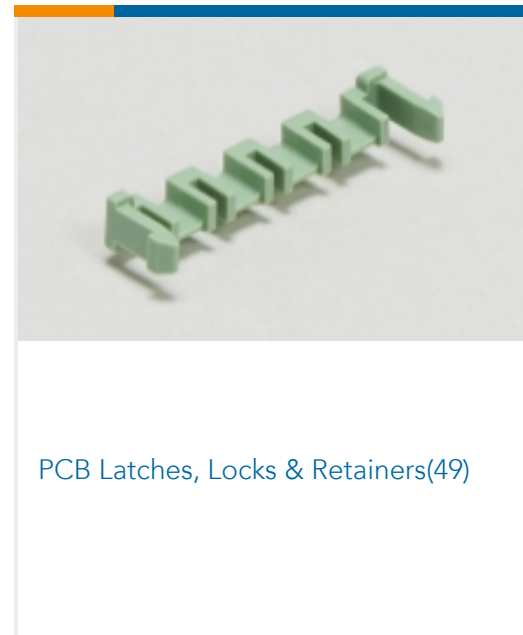
TE Part # 7-2151950-1  
OCEAN\_2.0\_Applicator-S-055F070F



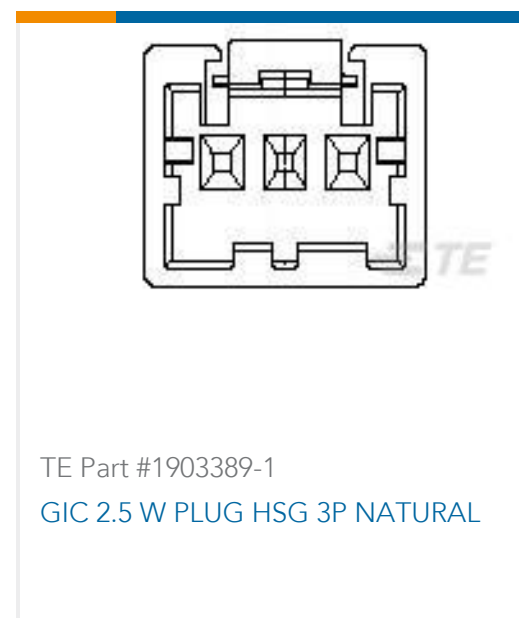
TE Part # 7-2151950-2  
OCEAN\_2.0\_Applicator-S-055F070F



## Also in the Series | Economy Power 2.5



## Customers Also Bought



## Documents

### Product Drawings

TERMINAL, PIN, LANCELESS, 22-26 AWG, EP2

English

### CAD Files

3D PDF

3D



**Customer View Model**

[ENG\\_CVM\\_CVM\\_2238007-1\\_C.2d\\_dxf.zip](#)

English

**Customer View Model**

[ENG\\_CVM\\_CVM\\_2238007-1\\_C.3d\\_igs.zip](#)

English

**Customer View Model**

[ENG\\_CVM\\_CVM\\_2238007-1\\_C.3d\\_stp.zip](#)

English

By downloading the CAD file I accept and agree to the [Terms and Conditions](#) of use.

---

**Datasheets & Catalog Pages**

[7-1773461-6\\_EP2.5\\_Connector\\_Series](#)

English

---

**Product Specifications**

[Application Specification](#)

English

---

**Product Environmental Compliance**

[MD\\_2238007-1\\_09062018103\\_dmtec](#)

English

[MD\\_2238007-1\\_09062018103\\_dmtec](#)

English

---

**Instruction Sheets**

[Instruction Sheet \(U.S.\)](#)

English