

2236454-1 ✓ ACTIVE

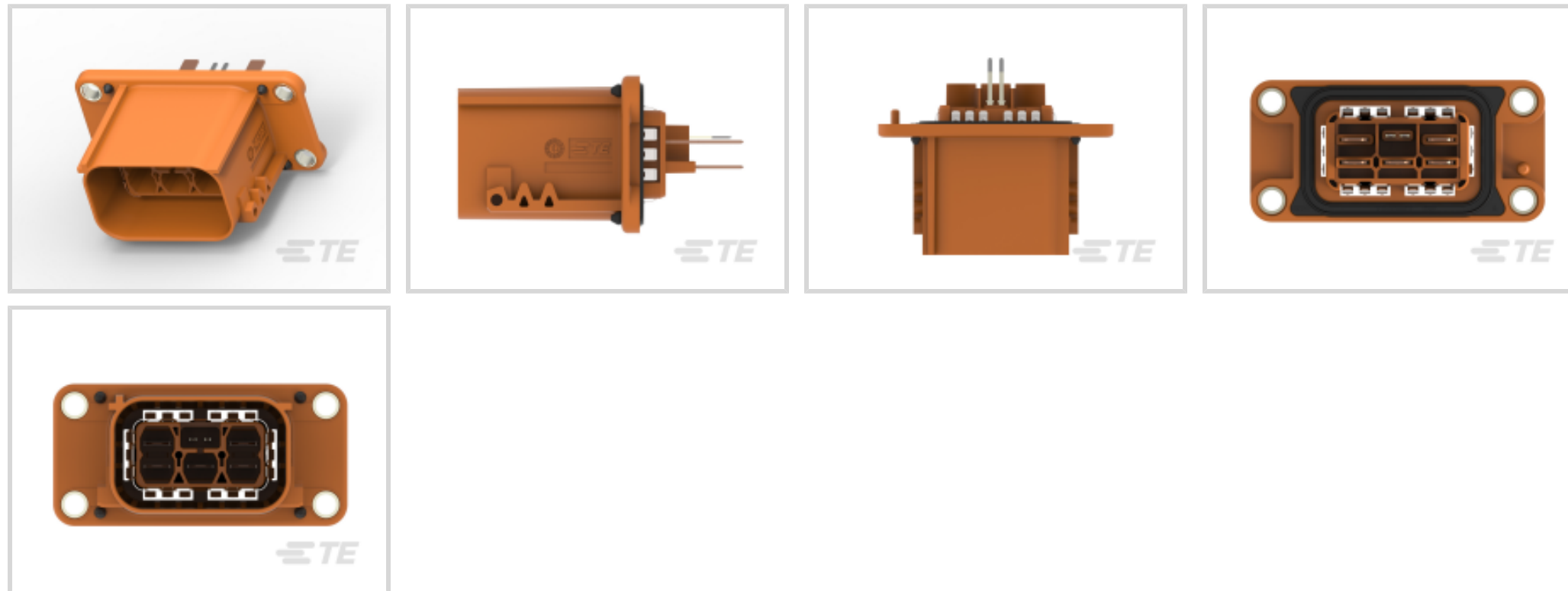
TE Internal #: 2236454-1

PCB Mount Header, Vertical, Wire-to-Board, 7 Position, 12 mm [.472 in] Centerline, Fully Shrouded, Silver, Through Hole - Solder, Sealable, Signal

[View on TE.com >](#)



Connectors > PCB Connectors > PCB Headers & Receptacles > High-Voltage Header



Connector System: **Wire-to-Board**

Number of Positions: **7**

Centerline (Pitch): **12 mm [.472 in]**

Sealable: **Yes**

PCB Mount Orientation: **Vertical**

[All High-Voltage Header \(34\)](#)

Features

Product Type Features

Mixed & Hybrid Header	Yes
Connector Shape	Rectangular
PCB Connector Assembly Type	PCB Mount Header
Header Type	Fully Shrouded
Connector System	Wire-to-Board
Sealable	Yes

Configuration Features

Number of Sections	1
Number of Signal Positions	7
Number of Positions	7
PCB Mount Orientation	Vertical
Number of Rows	2

Electrical Characteristics



Voltage Rating (Max)	850 VAC
Nominal Voltage Architecture	850 V
Operating Voltage	850 VAC

Body Features

Primary Product Color	Orange
Connector & Keying Code	A

Contact Features

Contact Size	6.3mm
Contact Type	Tab
Mating Tab Width	1.2 mm, 6.3 mm [.062 in] [.248 in]
Mating Tab Thickness	.6 mm, .8 mm [.023 in] [.031 in]
Contact Mating Area Plating Material	Silver

Termination Features

Termination Method to Printed Circuit Board	Through Hole - Solder
---	-----------------------

Mechanical Attachment

Mounting Holes	Without
Mating Retention	With
Mating Alignment	With
PCB Mount Alignment	Without
Panel Mount Feature	Without
PCB Mount Retention	Without
Mating Retention Type	Locking Interface

Housing Features

Centerline (Pitch)	12 mm [.472 in]
--------------------	-----------------

Dimensions

Connector Length	82 mm [3.22 in]
Connector Width	64.3 mm [2.53 in]
Profile Height from PCB	39.5 mm [1.55 in]

Usage Conditions

Operating Temperature (Max)	65 °C, 70 °C, 75 °C, 80 °C, 85 °C, 90 °C, 100 °C, 105 °C, 110 °C, 120 °C, 125 °C, 130 °C,
-----------------------------	---



	140 °C[149 °F][158 °F][167 °F][176 °F][185 °F][194 °F][212 °F][221 °F][230 °F][248 °F][257 °F][266 °F][284 °F]
Operating Temperature Range	-40 – 140 °C[-40 – 284 °F]

Operation/Application

Shielded	Yes
Circuit Application	Signal

Industry Standards

Degree of Protection	IP6K7, IP6K9K
----------------------	---------------

Packaging Features

Packaging Type	Box
Packaging Quantity	108

Product Compliance

[For compliance documentation, visit the product page on TE.com>](#)

EU RoHS Directive 2011/65/EU	Compliant
EU ELV Directive 2000/53/EC	Compliant
China RoHS 2 Directive MIIT Order No 32, 2016	No Restricted Materials Above Threshold
EU REACH Regulation (EC) No. 1907/2006	Current ECHA Candidate List: JUNE 2023 (235) Candidate List Declared Against: JAN 2023 (233) Does not contain REACH SVHC
Halogen Content	Low Halogen - Br, Cl, F, I < 900 ppm per homogenous material. Also BFR/CFR/PVC Free
Solder Process Capability	Not reviewed for solder process capability

Product Compliance Disclaimer

This information is provided based on reasonable inquiry of our suppliers and represents our current actual knowledge based on the information they provided. This information is subject to change. The part numbers that TE has identified as EU RoHS compliant have a maximum concentration of 0.1% by weight in homogenous materials for lead, hexavalent chromium, mercury, PBB, PBDE, DBP, BBP, DEHP, DIBP, and 0.01% for cadmium, or qualify for an exemption to these limits as defined in the Annexes of Directive 2011/65/EU (RoHS2). Finished electrical and electronic equipment products will be CE marked as required by Directive 2011/65/EU. Components may not be CE marked. Additionally, the part numbers that TE has identified as EU ELV compliant have a maximum concentration of 0.1% by weight in homogenous materials for lead, hexavalent chromium, and mercury, and 0.01% for cadmium, or qualify for an exemption to these limits as defined in the Annexes of Directive 2000/53/EC (ELV). Regarding the REACH Regulation, the information TE provides on SVHC in articles for this part number is based on the latest European Chemicals Agency (ECHA) 'Guidance on requirements for substances in articles' posted at this URL: <https://echa.europa.eu/guidance-documents/guidance-on-reach>


Compatible Parts




TE Part # 2141608-1
5POS,AMP MCP6.3/4.8K,REC HSG,A




TE Part # 1-2282265-5
5POS,HVA,630,PIGTAIL,HYB ASSY



TE Part # YHVA630-3PHM-4MM-A
HVA630-5phm,3x4sqmm,Key A



TE Part # YHVA630-4PHM-4MM-A
HVA630-5phm,4x4sqmm,Key A



TE Part # YHVA630-5PHM-6MM-A
HVA630-5phm,5x6sqmm,Key A

Customers Also Bought



TE Part #2176230-3
SMD Power Resistor: 3 Watt, 1% Tol



TE Part #1379114-1
Signal Header



TE Part #1-2103396-4
High-Voltage Header



TE Part #2534216156
AP-2000-6-0-20MM



TE Part #9-1478248-0
PRO-C HEX DIE RG174-RG178



TE Part #2349367-1
5POS,HVA630,HDR ASSY



TE Part #1801095-1
BCP ASSY SWITCHING AND PROTECTION BOX

Documents

Product Drawings

5POS,TAB 6.3X0.8,HEADER ASSY,CODA

English

CAD Files

3D PDF

3D



Customer View Model

[ENG_CVM_CVM_2236454-1_B.2d_dxf.zip](#)

English

Customer View Model

[ENG_CVM_CVM_2236454-1_B.3d_igs.zip](#)

English

Customer View Model

[ENG_CVM_CVM_2236454-1_B.3d_stp.zip](#)

English

By downloading the CAD file I accept and agree to the [Terms and Conditions](#) of use.

Product Specifications

[Application Specification](#)

English