

2234800-1 ✓ ACTIVE

RAYCHEM

TE Internal #: 2234800-1

Heat Shrink Equipment, Discrete, Asia Pacific, In-Line Splice / Stub Splice / Ring Terminal, 220 V, Substrate Length Max 65 mm

[View on TE.com >](#)



Application Tooling > Heat Shrink Equipment



Equipment Processing Type: **Discrete**

Applicable Region: **Asia Pacific**

Heat Shrink Equipment Application: **In-Line Splice, Ring Terminal, Stub Splice**

Operating Voltage: **220 V**

Substrate Length Max: **65 mm**

## Features

### Electrical Characteristics

Operating Voltage	220 V
-------------------	-------

### Dimensions

Tubing Outer Diameter (Max)	≤ 19 mm
Tubing Length (Max)	≤ 65 mm

### Product Availability

Applicable Region	Asia Pacific
-------------------	--------------

### Other

Equipment Processing Type	Discrete
Heat Shrink Equipment Application	In-Line Splice, Ring Terminal, Stub Splice
Substrate Length Max	65 mm
Substrate Outside Diameter Max	20 mm

## Product Compliance

[For compliance documentation, visit the product page on TE.com>](#)

EU RoHS Directive 2011/65/EU	Compliant
EU ELV Directive 2000/53/EC	Out of Scope
China RoHS 2 Directive MIIT Order No 32, 2016	No Restricted Materials Above Threshold
EU REACH Regulation (EC) No. 1907/2006	



Current ECHA Candidate List: JUNE 2023  
(235)

Candidate List Declared Against: JAN 2023  
(233)

Does not contain REACH SVHC

Halogen Content

Low Halogen - Br, Cl, F, I < 900 ppm per homogenous material. Also BFR/CFR/PVC Free

Solder Process Capability

Not applicable for solder process capability

Product Compliance Disclaimer

This information is provided based on reasonable inquiry of our suppliers and represents our current actual knowledge based on the information they provided. This information is subject to change. The part numbers that TE has identified as EU RoHS compliant have a maximum concentration of 0.1% by weight in homogenous materials for lead, hexavalent chromium, mercury, PBB, PBDE, DBP, BBP, DEHP, DIBP, and 0.01% for cadmium, or qualify for an exemption to these limits as defined in the Annexes of Directive 2011/65/EU (RoHS2). Finished electrical and electronic equipment products will be CE marked as required by Directive 2011/65/EU. Components may not be CE marked. Additionally, the part numbers that TE has identified as EU ELV compliant have a maximum concentration of 0.1% by weight in homogenous materials for lead, hexavalent chromium, and mercury, and 0.01% for cadmium, or qualify for an exemption to these limits as defined in the Annexes of Directive 2000/53/EC (ELV). Regarding the REACH Regulation, the information TE provides on SVHC in articles for this part number is based on the latest European Chemicals Agency (ECHA) 'Guidance on requirements for substances in articles' posted at this URL: <https://echa.europa.eu/guidance-documents/guidance-on-reach>

## Compatible Parts



TE Part # CAT-HST-DWFR  
DWFR Heat shrink Tubing



TE Part # CAT-HST-ES2000  
ES2000 Heat shrink Tubing



TE Part # CAT-HSC-ESCAP1  
Splice Sealing End Cap(ES-Cap)



TE Part # CAT-HST-SCT  
SCT Heat shrink Tubing



TE Part # CAT-HST-ES1000  
ES1000 Heat shrink Tubing



TE Part # 063725P013  
ES2000-NO.2-B9-0-75MM



TE Part # 063725P080  
ES2000-NO.2-B9-0-33MM



TE Part # 063725P078  
ES2000-NO.2-B9-0-38MM




TE Part # 130599P007  
ES2000-NO.4-B7-0-60MM



TE Part # 063725P028  
ES2000-NO.2-B9-0-25MM



TE Part # 350582-000  
ES2000-NO.3-B8-0-35MM



TE Part # 089543-000  
ES2000-NO.3-B8-0-38MM



TE Part # CM2700-000  
VERSAFIT-3/8-0-1.25IN



TE Part # 130599P045  
ES2000-NO.4-B7-0-38MM



TE Part # 505874K040  
VERSAFIT-1/4-0-1.25IN



TE Part # 584485-000  
VERSAFIT-1/4-0-1.5IN-SM



TE Part # 650490-000  
VERSAFIT-3/16-0-1.25IN



TE Part # 063725P018  
ES2000-NO.2-B9-0-30MM

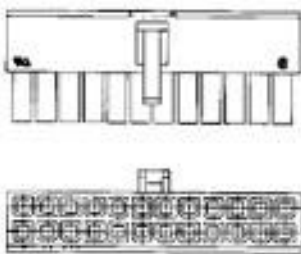


TE Part # 063725P034  
ES2000-NO.2-B9-0-35MM



TE Part # 499683-000  
ES2000-NO.2-B9-0-39MM

### Customers Also Bought



TE Part #2-794954-4  
24P RCPT VAL-U-LOK V2



TE Part #880645-6  
PL REC 1.0-2.5MM2 0.40 X 52.32 PTPBR




TE Part #880646-5  
PL REC 0.5-1.0 MM2 0.40 X 52.32 PTPBR




TE Part #735222-2  
FF 250 REC 1.0-2.5 MM2 0.32X 19.30 BR




TE Part #2278923-1  
COVER



TE Part #1707124-1  
ADJUSTMENT SCREW



TE Part #2216883-1  
CABLE ASSY, CMP MK II SERVO



TE Part #2234991-1  
HEATING ELEMENT ASSEMBLY



## Documents

### Instruction Sheets

[RBK-X1/X1C Heat Shrink Machine](#)

French

[RBK-X1/X1C Heat Shrink Machine](#)

German

[RBK-X1/X1C Heat Shrink Machine](#)

English

[RBK-X1/X1C Heat Shrink Machine](#)

[HEAT SHRINK EQUIPMENT DOCUMENTATION REQUEST](#)

[HEAT SHRINK EQUIPMENT DOCUMENTATION REQUEST](#)

[HEAT SHRINK EQUIPMENT DOCUMENTATION REQUEST](#)

[HEAT SHRINK EQUIPMENT DOCUMENTATION REQUEST](#)

[HEAT SHRINK EQUIPMENT DOCUMENTATION REQUEST](#)

[HEAT SHRINK EQUIPMENT DOCUMENTATION REQUEST](#)

[HEAT SHRINK EQUIPMENT DOCUMENTATION REQUEST](#)

German

[HEAT SHRINK EQUIPMENT DOCUMENTATION REQUEST](#)

[HEAT SHRINK EQUIPMENT DOCUMENTATION REQUEST](#)

[HEAT SHRINK EQUIPMENT DOCUMENTATION REQUEST](#)

English

[HEAT SHRINK EQUIPMENT DOCUMENTATION REQUEST](#)

[HEAT SHRINK EQUIPMENT DOCUMENTATION REQUEST](#)

[HEAT SHRINK EQUIPMENT DOCUMENTATION REQUEST](#)

[HEAT SHRINK EQUIPMENT DOCUMENTATION REQUEST](#)

[HEAT SHRINK EQUIPMENT DOCUMENTATION REQUEST](#)

Japanese

[HEAT SHRINK EQUIPMENT DOCUMENTATION REQUEST](#)

[HEAT SHRINK EQUIPMENT DOCUMENTATION REQUEST](#)



HEAT SHRINK EQUIPMENT DOCUMENTATION REQUEST

HEAT SHRINK EQUIPMENT DOCUMENTATION REQUEST

French