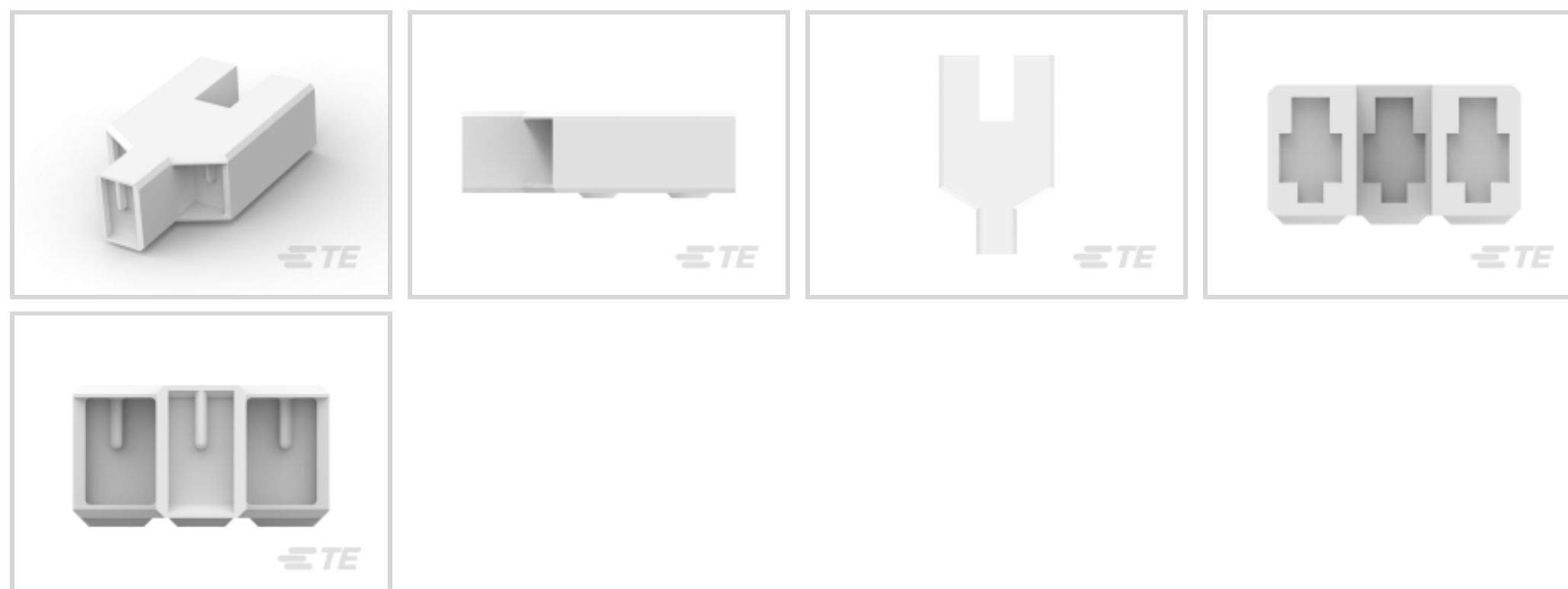




Terminals & Splices > Terminal Housings, Insulation Sleeves & Blocks > Cluster Blocks



Number of Circuits: 3

Primary Product Material: PA6 GF

Wire Size: .326 – 5.26 mm²

Operating Temperature Range: -20 – 120 °C [-4 – 248 °F]

Features

Product Type Features

Compatible With Discrete Wire Type

Lead Wire

Configuration Features

Number of Circuits

3

Body Features

Primary Product Color

Natural

Primary Product Material

PA6 GF

Contact Features

Mating Pin Diameter

2.29 mm[.09 in]

Dimensions

Product Length

30.5 mm[1.2 in]

Wire Size

.326 – 5.26 mm²

Usage Conditions

Operating Temperature Range

-20 – 120 °C[-4 – 248 °F]

Packaging Features

Packaging Quantity

500



Packaging Method

Bag

Product Compliance

[For compliance documentation, visit the product page on TE.com>](#)

EU RoHS Directive 2011/65/EU	Compliant
EU ELV Directive 2000/53/EC	Compliant
China RoHS 2 Directive MIIT Order No 32, 2016	No Restricted Materials Above Threshold
EU REACH Regulation (EC) No. 1907/2006	Current ECHA Candidate List: JUNE 2023 (235) Candidate List Declared Against: JUNE 2023 (235) Does not contain REACH SVHC
Halogen Content	Not Low Halogen - contains Br or Cl > 900 ppm.
Solder Process Capability	Not reviewed for solder process capability

Product Compliance Disclaimer

This information is provided based on reasonable inquiry of our suppliers and represents our current actual knowledge based on the information they provided. This information is subject to change. The part numbers that TE has identified as EU RoHS compliant have a maximum concentration of 0.1% by weight in homogenous materials for lead, hexavalent chromium, mercury, PBB, PBDE, DBP, BBP, DEHP, DIBP, and 0.01% for cadmium, or qualify for an exemption to these limits as defined in the Annexes of Directive 2011/65/EU (RoHS2). Finished electrical and electronic equipment products will be CE marked as required by Directive 2011/65/EU. Components may not be CE marked. Additionally, the part numbers that TE has identified as EU ELV compliant have a maximum concentration of 0.1% by weight in homogenous materials for lead, hexavalent chromium, and mercury, and 0.01% for cadmium, or qualify for an exemption to these limits as defined in the Annexes of Directive 2000/53/EC (ELV). Regarding the REACH Regulation, the information TE provides on SVHC in articles for this part number is based on the latest European Chemicals Agency (ECHA) 'Guidance on requirements for substances in articles' posted at this URL: <https://echa.europa.eu/guidance-documents/guidance-on-reach>

Compatible Parts

 <p>TE Part # 1217264-1 RCPT 090 CLSTR PIN 22-14</p>	 <p>TE Part # 1742964-1 2.29 DIA CLUSTER PIN AMPLV REC 1600-4800</p>	 <p>TE Part # 171370-4 CLUSTER BLOCK HSG GWT</p>	 <p>TE Part # 1742981-1 2.29 DIA CLUST PIN AMPLVR REC 400-1600</p>
---	---	---	---

Customers Also Bought



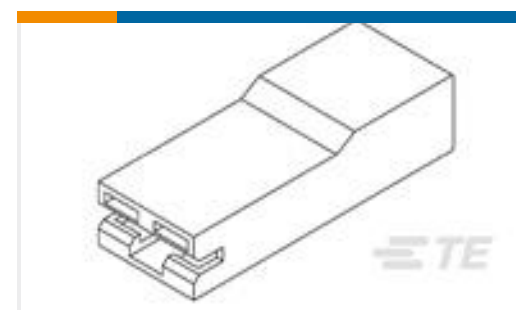
TE Part #5-102398-7
18 AMPMODU MT ASSY DR .100CL



TE Part #175065-1
CONTACT 22-18 AWG 0.30 X 17.0 SS



TE Part #2232326-1
CLUSTER BLOCK HSG .090 DIA



TE Part #1-521120-3
HSG RECPT POSILOK MK III 250 V0



TE Part #2382224-1
EP 2.5 RCPT CONTACT, 26-22 AWG,
Low IF



TE Part #626279-1
RING TONGUE 0.5-1.50 MM2
PLAINNUBR



TE Part #1599105-1
RECEPTACLE CLUSTER PIN .090dia

Documents

Product Drawings

CLUSTER BLOCK HSG .090 DIA

English

CAD Files

3D PDF

3D

Customer View Model

[ENG_CVM_CVM_2232326-2_B.2d_dxf.zip](#)

English

Customer View Model

[ENG_CVM_CVM_2232326-2_B.3d_igs.zip](#)

English

Customer View Model

[ENG_CVM_CVM_2232326-2_B.3d_stp.zip](#)

English

By downloading the CAD file I accept and agree to the [Terms and Conditions](#) of use.

Product Specifications

Application Specification

English

Product Environmental Compliance

[MD_2232326-2_09132017539_dmtec](#)

English

[MD_2232326-2_09132017539_dmtec](#)

English

2232326-2

Cluster Blocks, 3 Circuits, PA6 GF, 22 – 10 AWG Wire Size, .326 – 5.26 mm² Wire Size,
-4 – 248 °F [-20 – 120 °C]



[Agency Approvals](#)

[CSA Certificate](#)

English