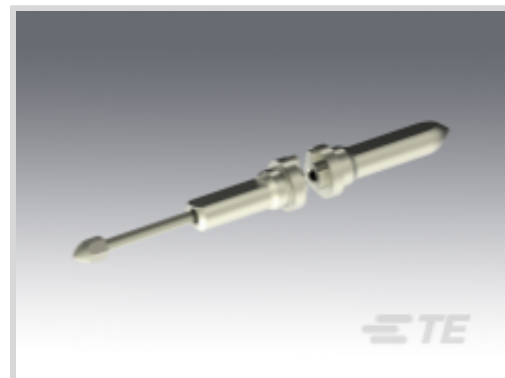




[Connectors](#) > [PCB Connectors](#) > [Backplane Connectors](#) > [Backplane Guide Hardware](#)



Connector Guide Hardware Type: **Guide Pin**

Backplane Guide Location: **Midplane**

Connector Mounting Type: **Board Mount**

Operating Temperature Range: **-55 – 105 °C [-67 – 221 °F]**

Features

Product Type Features

Connector Guide Hardware Type	Guide Pin
-------------------------------	-----------

Configuration Features

PCB Mount Orientation	Vertical
Backplane Guide Location	Midplane

Body Features

Guide Pin Type	External Thread
Guide Component Plating Material Finish Process	Passivated
Guide Component Base Material	Stainless Steel

Mechanical Attachment

Connector Mounting Type	Board Mount
-------------------------	-------------

Housing Features

Guide Housing Material	Aluminum
------------------------	----------

Usage Conditions

Operating Temperature Range	-55 – 105 °C[-67 – 221 °F]
-----------------------------	----------------------------

Operation/Application

Compatible With Backplane Product Type	Guide Module
--	--------------

Industry Standards

VITA Standard	VITA 46
---------------	---------



Packaging Features

Packaging Quantity	1
Packaging Method	Bag

Other

Connector Accessory Comment	Used on midplane (rear transition modules).
-----------------------------	---

Product Compliance

[For compliance documentation, visit the product page on TE.com>](#)

EU RoHS Directive 2011/65/EU	Compliant
EU ELV Directive 2000/53/EC	Compliant
China RoHS 2 Directive MIIT Order No 32, 2016	No Restricted Materials Above Threshold
EU REACH Regulation (EC) No. 1907/2006	Current ECHA Candidate List: JUNE 2023 (235) Candidate List Declared Against: JUNE 2023 (235) Does not contain REACH SVHC
Halogen Content	Low Halogen - Br, Cl, F, I < 900 ppm per homogenous material. Also BFR/CFR/PVC Free
Solder Process Capability	Not applicable for solder process capability

Product Compliance Disclaimer

This information is provided based on reasonable inquiry of our suppliers and represents our current actual knowledge based on the information they provided. This information is subject to change. The part numbers that TE has identified as EU RoHS compliant have a maximum concentration of 0.1% by weight in homogenous materials for lead, hexavalent chromium, mercury, PBB, PBDE, DBP, BBP, DEHP, DIBP, and 0.01% for cadmium, or qualify for an exemption to these limits as defined in the Annexes of Directive 2011/65/EU (RoHS2). Finished electrical and electronic equipment products will be CE marked as required by Directive 2011/65/EU. Components may not be CE marked. Additionally, the part numbers that TE has identified as EU ELV compliant have a maximum concentration of 0.1% by weight in homogenous materials for lead, hexavalent chromium, and mercury, and 0.01% for cadmium, or qualify for an exemption to these limits as defined in the Annexes of Directive 2000/53/EC (ELV). Regarding the REACH Regulation, the information TE provides on SVHC in articles for this part number is based on the latest European Chemicals Agency (ECHA) 'Guidance on requirements for substances in articles' posted at this URL: <https://echa.europa.eu/guidance-documents/guidance-on-reach>

Compatible Parts

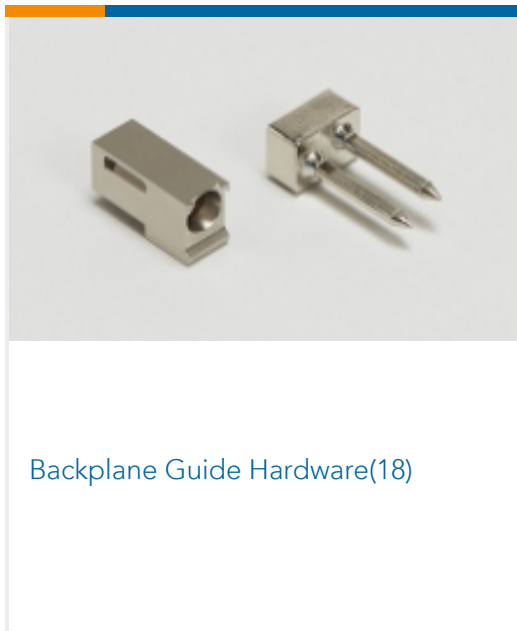


TE Part # 2000676-1
Keyed Guide Pin, Machined, Vita 46

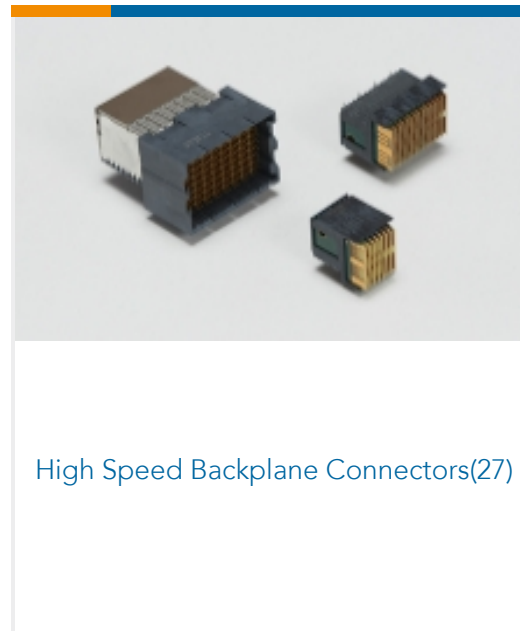


TE Part # 2000713-1
RA Keyed Guide Mod, Vita 46,
Machined

Also in the Series | MULTIGIG RT 2-R



Backplane Guide Hardware(18)



High Speed Backplane Connectors(27)

Customers Also Bought



TE Part #1-2102061-4
Mezalok, Socket, 114 p, 15 mm, 50 Au,
LF



TE Part #2000713-6
RA Keyed Guide Mod, Vita 46,
Machined



TE Part #1410140-1
MULTIGIG RT T2 .8" BP FULL CNT



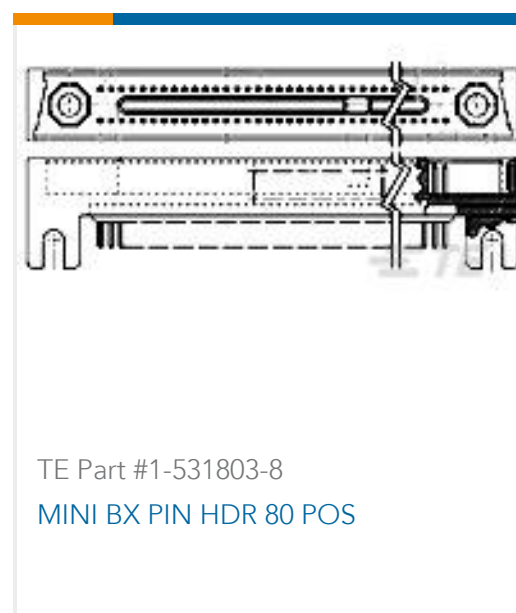
TE Part #5-146261-5
10 MODII HDR DRST B/A .100CL



TE Part #1410189-1
MULTIGIG RT T2 7RW H-LFT,ET2



TE Part #EK4834-000
91H1-15-08-1-C-HE200



TE Part #1-531803-8
MINI BX PIN HDR 80 POS



TE Part #2102735-2
Assy, Vert Rectpt, Left End, MG, Rug
Cntc



TE Part #2302795-1
RAPLUGASSY,CENTERDP,RTM,VPX,
MG RT3



TE Part #1-2327906-4
KEYED GUIDE PIN , MACHINED,
MULTIGIG BP



Documents

Product Drawings

[RTM GUIDE PIN KIT ASSY, VITA46, MACHINED](#)

English

CAD Files

[3D PDF](#)

3D

Customer View Model

[ENG_CVM_CVM_2226127-1_A.2d_dxf.zip](#)

English

Customer View Model

[ENG_CVM_CVM_2226127-1_A.3d_igs.zip](#)

English

Customer View Model

[ENG_CVM_CVM_2226127-1_A.3d_stp.zip](#)

English

By downloading the CAD file I accept and agree to the [Terms and Conditions](#) of use.

Datasheets & Catalog Pages

[MULTIGIG RT 2-R Ruggedized Connectors](#)

English

[MULTIGIG RT 3 and RT 2-S Connectors](#)

English

Product Specifications

[Product Specification](#)

English

Product Environmental Compliance

[Product Compliance](#)

English

[Product Compliance](#)

English