

2217481-1 ✓ ACTIVE

AMP

TE Internal #: 2217481-1

Hand Crimping Tools, Commercial Crimp Tooling, Removable/Interchangeable, Battery (110v), Base Power Unit (No Crimp Tooling)

[View on TE.com >](#)



Application Tooling > Hand Crimping Tools



Tool Grade: **Commercial Crimp Tooling**

Die Sets Type: **Removable/Interchangeable**

TE Certification: **Cannot be Certified**

Power Technology Type: **Battery (110v)**

Tooling Type: **Base Power Unit (No Crimp Tooling)**

## Features

### Other

Tool Grade	Commercial Crimp Tooling
Die Sets Type	Removable/Interchangeable
TE Certification	Cannot be Certified
Power Technology Type	Battery (110v)
Tooling Type	Base Power Unit (No Crimp Tooling)

## Product Compliance

[For compliance documentation, visit the product page on TE.com>](#)

EU RoHS Directive 2011/65/EU	Out of Scope
EU ELV Directive 2000/53/EC	Out of Scope
China RoHS 2 Directive MIIT Order No 32, 2016	Not reviewed for China RoHS compliance
EU REACH Regulation (EC) No. 1907/2006	Current ECHA Candidate List: JUNE 2023 (235) Candidate List Declared Against: JUL 2021 (219) Does not contain REACH SVHC
Halogen Content	Low Halogen - Br, Cl, F, I < 900 ppm per homogenous material. Also BFR/CFR/PVC Free
Solder Process Capability	Not applicable for solder process capability

Product Compliance Disclaimer

This information is provided based on reasonable inquiry of our suppliers and represents our current actual knowledge based on the information they provided. This information is subject to change. The part numbers that TE has identified as EU RoHS compliant have a maximum concentration of 0.1% by weight in homogenous materials for lead, hexavalent chromium, mercury, PBB, PBDE, DBP, BBP, DEHP, DIBP, and 0.01% for cadmium, or qualify for an exemption to these limits as defined in the Annexes of Directive 2011/65/EU (RoHS2). Finished electrical and electronic equipment products will be CE marked as required by Directive 2011/65/EU. Components may not be CE marked. Additionally, the part numbers that TE has identified as EU ELV compliant have a maximum concentration of 0.1% by weight in homogenous materials for lead, hexavalent chromium, and mercury, and 0.01% for cadmium, or qualify for an exemption to these limits as defined in the Annexes of Directive 2000/53/EC (ELV). Regarding the REACH Regulation, the information TE provides on SVHC in articles for this part number is based on the latest European Chemicals Agency (ECHA) 'Guidance on requirements for substances in articles' posted at this URL: <https://echa.europa.eu/guidance-documents/guidance-on-reach>

## Compatible Parts

 <p>TE Part # 3-520151-2 ULTRAFAST 187 ASSY REC 16-14 TPBR LP</p>	 <p>TE Part # 2-520084-2 ULTRAFAST 110 ASSY REC 22-18 TPBR LP</p>	 <p>TE Part # 2-520081-2 ULTRAFAST 110 ASSY REC 22-18 TPBR LP</p>	 <p>TE Part # 3-350816-2 ULTRAFAST 187 ASSY REC 16-14 TPBR LP</p>
 <p>TE Part # 2-520273-2 ULTRAFAST 110 ASSY REC 22-18 TPBR LP</p>	 <p>TE Part # 2-520182-2 ULTRAFAST 187 ASSY REC 22-18 TPBR LP</p>	 <p>TE Part # 2-520184-4 ULTRAFAST 250 ASSY REC 22-18 TPBR LP</p>	 <p>TE Part # 2-520103-2 ULTRA-FAST 250 ASSEMBLY TAB 22-18 AWG BR</p>
 <p>TE Part # 2-521103-2 ULTRA-FAST 187 ASY REC 22-18 TPBR</p>	 <p>TE Part # 2-521105-2 ULTRA-FAST 187 ASY REC 22-18 TPBR</p>	 <p>TE Part # 3-520117-2 ULTRAFAST 250 ASSY REC 16-14 TPBR LP</p>	 <p>TE Part # 3-520125-2 ULTRAFAST 187 ASSY REC 16-14 TPBR LP</p>




TE Part # 2-520184-2  
ULTRAFAST 250 ASSY REC 22-18  
TPBR LP



TE Part # 3-520107-2  
ULTRA-FAST 250 ASY TAB 16-14 AWG  
TPBR



TE Part # 2-520194-2  
ULTRAFAST 187 ASSY REC 22-18  
TPBR LP



TE Part # 2-520264-2  
ULTRAFAST 250 ASSY REC 22-18  
TPBR LP



TE Part # 2-520262-2  
ULTRAFAST 187 ASSY REC 22-18  
TPBR LP



TE Part # 3-350820-2  
ULTRAFAST 250 ASSY REC 16-14  
TPBR LP



TE Part # 170095-1  
250 FASTON, REC., 22-18 AWG, TPPB

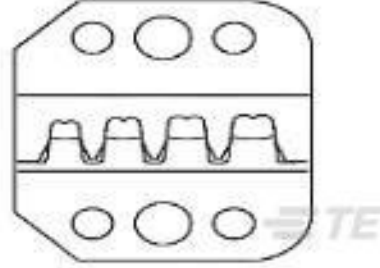


TE Part # 2-520275-2  
ULTRAFAST 187 ASSY REC 22-18  
TPBR LP

### Customers Also Bought



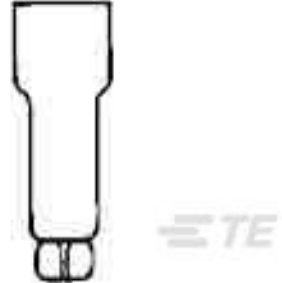
TE Part #5102159-3  
A/L UNIV HDR 16P RA



TE Part #58628-2  
PROCAMP DIESET 26-14 ULTRAFAST



TE Part #87220-6  
06 MODII HDR SRST UNSHRD .100



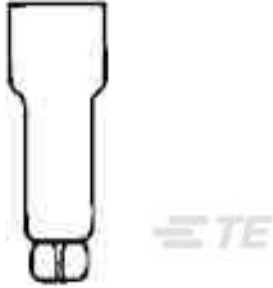
TE Part #321519  
SPLICE, CE 22-10



TE Part #2-1761605-6  
IDC LOW PRO HDR 16P RA BLUE



TE Part #4-1437624-6  
PKES120B1/4=KNOB PLSTC FLUTED



TE Part #53234-1  
SPLICE, CE 22-12



TE Part #7-2176307-0  
RP 1E 0.1W 64K9 0.1% 25PPM 5K RL

TE Part #1656205-1  
BATTERY CABLE 3

### Documents



## Datasheets & Catalog Pages

### Bottoming Dies

English

---

### Instruction Sheets

[Standard Die Envelope \(SDE\) Closed Head Lithium-Ion Battery-Powered Crimping Tool Kits, PN 2217481-\[\]](#)

English

[Standard Die Envelope \(SDE\) Closed Head Lithium-Ion Battery-Powered Crimping Tool Kits 2217481-\[\]](#)

French

[Standard Die Envelope \(SDE\) Closed Head Lithium-Ion Battery-Powered Crimping Tool Kits 2217481-\[\]](#)

German

[Standard Die Envelope \(SDE\) Closed Head Lithium-Ion Battery-Powered Crimping Tool Kits; PN 2217481-\[\]](#)

[Standard Die Envelope \(SDE\) Closed Head Lithium-Ion Battery-Powered Crimping Tool Kits: PN 2217481-\[\]](#)

[Standard Die Envelope \(SDE\) Closed Head Lithium-Ion Battery-Powered Crimping Tool Kits; PN 2217481-\[\]](#)

---

### Agency Approvals

[Agency Approval Document](#)

English