

# AV1610P512R04 ✓ ACTIVE

Alcoswitch | Alcoswitch AV16

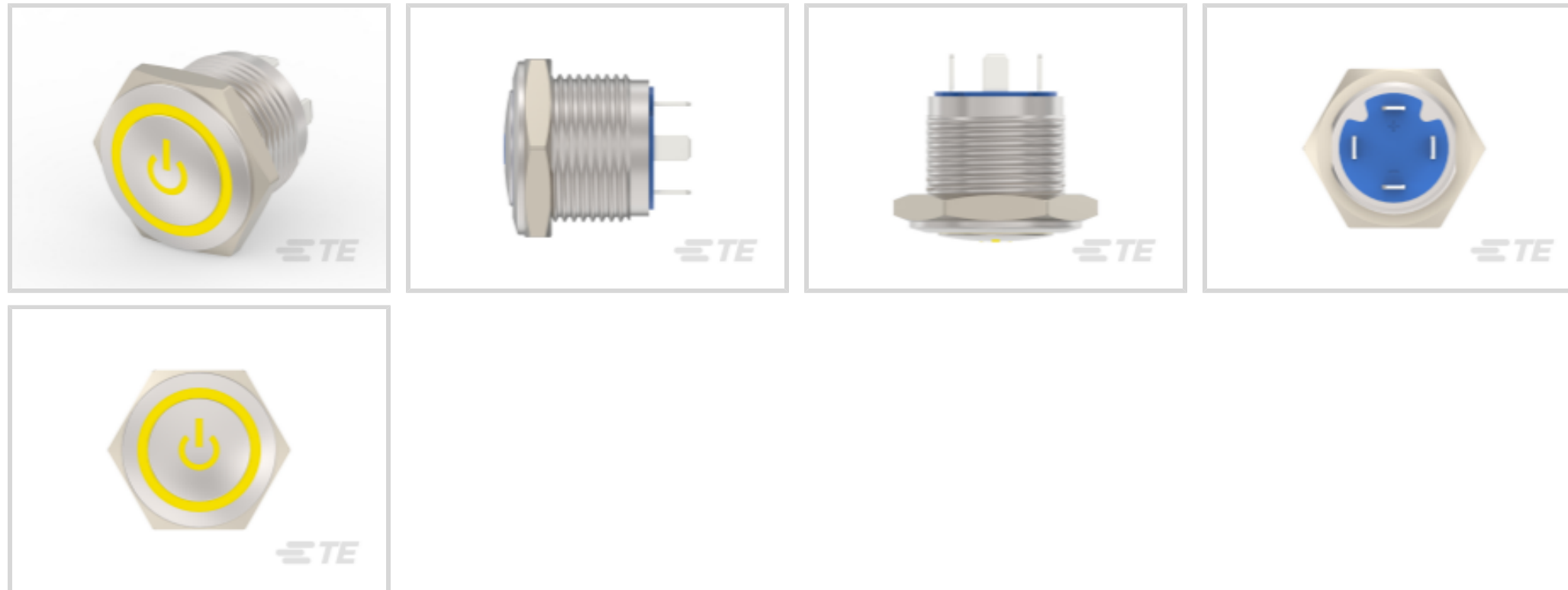
TE Internal #: 2213775-5

Push Button Switches, Single Pole - Single Throw Configuration (Pole-Throw), Anti-Vandal, Single Actuator, Flush Actuator Profile, Alcoswitch AV16

[View on TE.com >](#)



Relays, Contactors & Switches > Switches > Push Button Switches



Configuration (Pole-Throw): **Single Pole - Single Throw**

Push Button Switch Product Type: **Anti-Vandal**

Number of Actuators: **Single**

Actuator Profile: **Flush**

Bushing Style: **Threaded**

## Features

### Product Type Features

|                                 |             |
|---------------------------------|-------------|
| Switch Type                     | Pushbutton  |
| Dust Proof                      | Yes         |
| Push Button Switch Product Type | Anti-Vandal |
| Illuminated                     | Yes         |
| Actuator Style                  | Round       |

### Configuration Features

|                            |                            |
|----------------------------|----------------------------|
| ESD Grounding Terminal     | Without                    |
| Detent Style               | Audible                    |
| Configuration (Pole-Throw) | Single Pole - Single Throw |
| Number of Actuators        | Single                     |
| Snap Action                | Without                    |
| Support Bracket            | Without                    |
| Tactile                    | No                         |
| Operating Function         | Momentary                  |



**Electrical Characteristics**

|                                   |        |
|-----------------------------------|--------|
| Push Button Switch Voltage Rating | 36 VDC |
|-----------------------------------|--------|

**Body Features**

|                  |          |
|------------------|----------|
| Case Material    | PBT      |
| Actuator Profile | Flush    |
| Bushing Style    | Threaded |

**Contact Features**

|   |      |
|---|------|
| Push Button Switch Contact Current Rating | .4 A |
| Switch Contact Plating Material           | Gold |

**Termination Features**

|                  |           |
|------------------|-----------|
| Termination Type | Wire Lugs |
|------------------|-----------|

**Mechanical Attachment**

|                                  |          |
|----------------------------------|----------|
| Mounting Angle                   | Vertical |
| Push Button Switch Mounting Type | Panel    |

**Housing Features**

|                |     |
|----------------|-----|
| Process Sealed | Yes |
|----------------|-----|

**Dimensions**

|  |       |
|--|-------|
|  | 16 in |
|--|-------|

**Industry Standards**

|           |      |
|-----------|------|
| IP Rating | IP67 |
|-----------|------|

**Product Compliance**

[For compliance documentation, visit the product page on TE.com>](#)

|   |   |
|---|---|
| EU RoHS Directive 2011/65/EU                  | Not Yet Reviewed  |
| EU ELV Directive 2000/53/EC                   | Compliant   |
| China RoHS 2 Directive MIIT Order No 32, 2016 | Not reviewed for China RoHS compliance  |
| EU REACH Regulation (EC) No. 1907/2006        | <p>Current ECHA Candidate List: JAN 2023 (233)</p> <p>Candidate List Declared Against: JAN 2023 (233)</p> <p>SVHC &gt; Threshold:<br/>Pb (.4% in Component Part)</p> <p><b>Article Safe Usage Statements:</b><br/>Do not eat, drink or smoke when using this product. Wash thoroughly after handling. Recycle if possible and dispose of the article by following all applicable governmental regulations relevant to your geographic location.</p> |



|                           |   |
|---------------------------|---|
| Halogen Content           | Low Halogen - Br, Cl, F, I < 900 ppm per homogenous material. Also BFR/CFR/PVC Free |
| Solder Process Capability | Not applicable for solder process capability  |

Product Compliance Disclaimer

This information is provided based on reasonable inquiry of our suppliers and represents our current actual knowledge based on the information they provided. This information is subject to change. The part numbers that TE has identified as EU RoHS compliant have a maximum concentration of 0.1% by weight in homogenous materials for lead, hexavalent chromium, mercury, PBB, PBDE, DBP, BBP, DEHP, DIBP, and 0.01% for cadmium, or qualify for an exemption to these limits as defined in the Annexes of Directive 2011/65/EU (RoHS2). Finished electrical and electronic equipment products will be CE marked as required by Directive 2011/65/EU. Components may not be CE marked. Additionally, the part numbers that TE has identified as EU ELV compliant have a maximum concentration of 0.1% by weight in homogenous materials for lead, hexavalent chromium, and mercury, and 0.01% for cadmium, or qualify for an exemption to these limits as defined in the Annexes of Directive 2000/53/EC (ELV). Regarding the REACH Regulation, the information TE provides on SVHC in articles for this part number is based on the latest European Chemicals Agency (ECHA) 'Guidance on requirements for substances in articles' posted at this URL: <https://echa.europa.eu/guidance-documents/guidance-on-reach>

### Compatible Parts



TE Part # 2213775-3  
AV16 SPM 0.4VA POWER LED RED 12V



TE Part # 2213775-7  
AV16 SPM 0.4VA POWER LED GREEN 12V



TE Part # 2213775-9  
AV16 SPM 0.4VA POWER LED BLUE 12V



TE Part # 2213774-7  
AV16 SPM 0.4VA FIX RING LED GREEN 12V



TE Part # 2213774-3  
AV16 SPM 0.4VA FIX RING LED RED 12V

### Also in the Series | Alcoswitch AV16

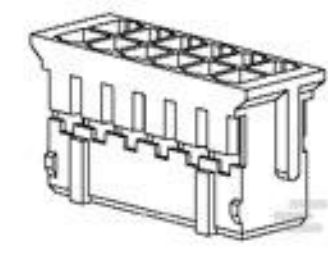


Push Button Switches(21)

## Customers Also Bought



TE Part #DT04-08PC  
REC, 8P, GRN, N, C



TE Part #1-1470107-2  
2.0MM PITCH CRIMP HOUSING 12P



TE Part #1879453-1  
TE 1000W 1R0 5% Bracket



TE Part #91579-1  
CCII ECON POWER REC 20-16 ASSY



TE Part #2213775-9  
AV16 SPM 0.4VA POWER LED BLUE 12V



TE Part #5-2213767-1  
AV19 DPM 5A MOVE RING LED YELLOW 24V



TE Part #742412-000  
1330-0607-10

TE Part #10210070-00  
PRESS XDCR US341-000004-300PA

TE Part #10210071-00  
PRESS XDCR US341-000004-500PA

## Documents

### Product Drawings

[AV16 SPM 0.4VA POWER LED YELLOW 12V](#)

English

### CAD Files

[3D PDF](#)

3D

Customer View Model

[ENG\\_CVM\\_CVM\\_2213775-5\\_A.2d\\_dxf.zip](#)

English

Customer View Model

[ENG\\_CVM\\_CVM\\_2213775-5\\_A.3d\\_igs.zip](#)

English

Customer View Model

[ENG\\_CVM\\_CVM\\_2213775-5\\_A.3d\\_stp.zip](#)

English

By downloading the CAD file I accept and agree to the [Terms and Conditions](#) of use.

AV1610P512R04

Push Button Switches, Single Pole - Single Throw Configuration (Pole-Throw), Anti-Vandal, Single Actuator, Flush Actuator Profile, Alcoswitch AV16



[Datasheets & Catalog Pages](#)

[ALCOSWITCH Anti-Vandal Switch flyer](#)

English