



LUMAWISE | LUMAWISE LED Holders

TE Internal #: 2213678-5

LED Holders, Cree CMT 1420 / Samsung LC013D / Samsung LC009D, Zhaga Inspired / Not Optic Compatible, 60 VDC, Poke-In, LUMAWISE LED Holders

[View on TE.com >](#)

Connectors > Lighting Connectors > LED Holders > Mini LED Holders Z35



Compatible LED: **Bridgelux H6, Citizen CLL020, Citizen CLL022, Citizen CLU 024, Citizen CLU 025, Citizen CLU 026, Citizen CLU 027, Citizen CLU700, Citizen CLU710, Cree CMT 1407, Cree CMT 1412, Cree CMT 1420, Edison Opto 2PHM09x, Luminus CHM-9-XH00, Luminus CHM-9-XH20/XH30, Luminus CLM-14 GEN 3, Luminus CLM-14 GEN4, Luminus CXM-4 GEN4, Luminus CXM-6 GEN 3/GEN 4, Luminus CXM-9 GEN 3/GEN 4, Panasonic C14 (13.5 x 13.5), Panasonic C15 (13.5 x 13.5), Samsung LC003D, Samsung LC006D, Samsung LC009D, Samsung LC010C, Samsung LC013D, Seoul SAWS0661A, Seoul SAWS1063A, Seoul SDW 13.5*13.5 Series, Seoul SDW81F1DY_ZC4, Tridonic SLE-G5-LES11, Tridonic SLE-G5-LES6, Tridonic SLE-G6-LES 10, Tridonic SLE-G7-LES9**

Lighting Connector Features Included: **Not Optic Compatible, Zhaga Inspired**

Operating Voltage: **60 VDC**

Termination Method to Wire & Cable: **Poke-In**

Connector System: **Wire-to-Component**

[All Mini LED Holders Z35 \(18\)](#)

Features

Product Type Features

LED Holders Product Type	LED Holder
COB Substrate Thickness	1 mm
Connector System	Wire-to-Component
Connector & Contact Terminates To	Wire & Cable

Configuration Features

Lighting Connector Features Included	Not Optic Compatible, Zhaga Inspired
Number of Positions	2

Electrical Characteristics

--	--



Current Rating (Max)	3 A
Operating Voltage	60 VDC

Body Features

Compatible LED	Bridgelux H6, Citizen CLL020, Citizen CLL022, Citizen CLU 024, Citizen CLU 025, Citizen CLU 026, Citizen CLU 027, Citizen CLU700, Citizen CLU710, Cree CMT 1407, Cree CMT 1412, Cree CMT 1420, Edison Opto 2PHM09x, Luminus CHM-9-XH00, Luminus CHM-9-XH20/XH30, Luminus CLM-14 GEN 3, Luminus CLM-14 GEN4, Luminus CXM-4 GEN4, Luminus CXM-6 GEN 3/GEN 4, Luminus CXM-9 GEN 3/GEN 4, Panasonic C14 (13.5 x 13.5), Panasonic C15 (13.5 x 13.5), Samsung LC003D, Samsung LC006D, Samsung LC009D, Samsung LC010C, Samsung LC013D, Seoul SAWS0661A, Seoul SAWS1063A, Seoul SDW 13.5*13.5 Series, Seoul SDW81F1DY_ZC4, Tridonic SLE-G5-LES11, Tridonic SLE-G5-LES6, Tridonic SLE-G6-LES 10, Tridonic SLE-G7-LES9
----------------	--

Contact Features

Contact Mating Area Plating Material	Gold
Contact Base Material	Copper Alloy
Contact Current Rating (Max)	3 A

Termination Features

Termination Method to Wire & Cable	Poke-In
------------------------------------	---------

Housing Features

Housing Material	PBT GF
------------------	--------

Usage Conditions

Operating Temperature Range	-40 – 105 °C
-----------------------------	--------------

Operation/Application

Circuit Application	Power
---------------------	-------

Product Compliance

For compliance documentation, visit the product page on [TE.com](https://www.te.com)>

EU RoHS Directive 2011/65/EU	Compliant
EU ELV Directive 2000/53/EC	Compliant



China RoHS 2 Directive MIIT Order No 32, 2016	No Restricted Materials Above Threshold
EU REACH Regulation (EC) No. 1907/2006	Current ECHA Candidate List: JUNE 2023 (235) Candidate List Declared Against: JAN 2023 (233) Does not contain REACH SVHC
Halogen Content	Low Halogen - Br, Cl, F, I < 900 ppm per homogenous material. Also BFR/CFR/PVC Free
Solder Process Capability	Not reviewed for solder process capability

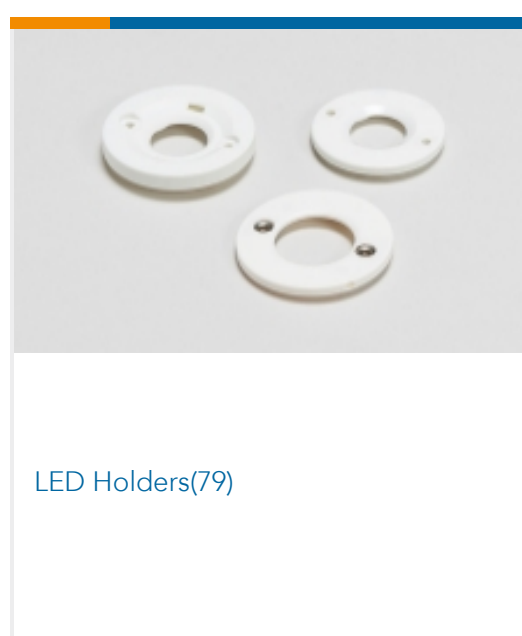
Product Compliance Disclaimer

This information is provided based on reasonable inquiry of our suppliers and represents our current actual knowledge based on the information they provided. This information is subject to change. The part numbers that TE has identified as EU RoHS compliant have a maximum concentration of 0.1% by weight in homogenous materials for lead, hexavalent chromium, mercury, PBB, PBDE, DBP, BBP, DEHP, DIBP, and 0.01% for cadmium, or qualify for an exemption to these limits as defined in the Annexes of Directive 2011/65/EU (RoHS2). Finished electrical and electronic equipment products will be CE marked as required by Directive 2011/65/EU. Components may not be CE marked. Additionally, the part numbers that TE has identified as EU ELV compliant have a maximum concentration of 0.1% by weight in homogenous materials for lead, hexavalent chromium, and mercury, and 0.01% for cadmium, or qualify for an exemption to these limits as defined in the Annexes of Directive 2000/53/EC (ELV). Regarding the REACH Regulation, the information TE provides on SVHC in articles for this part number is based on the latest European Chemicals Agency (ECHA) 'Guidance on requirements for substances in articles' posted at this URL: <https://echa.europa.eu/guidance-documents/guidance-on-reach>

Compatible Parts



Also in the Series | LUMAWISE LED Holders



Customers Also Bought



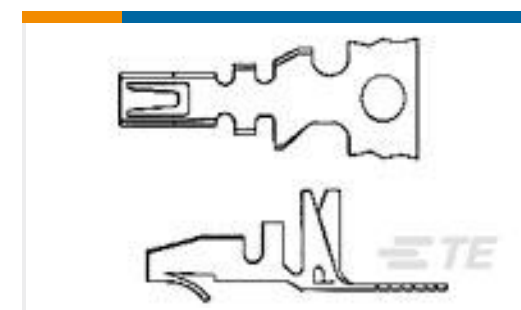
TE Part #2213130-2
LUMAWISE LED HOLDER Z50 STD
PROFILE 2024



TE Part #2213194-1
LUMAWISE LED HOLDER OPTIC CLIP
Z50 TYPE1



TE Part #1445049-2
FREE HANG SNGL ROW HSG 2 POS
Z50 TYPE1



TE Part #3-794121-1
TERMINAL, MINI AMP-IN 2000 22-18
AWG



TE Part #62040-1
SPLC AMVAR 1500-5000 020TPBR



TE Part #2-1825138-8
A201SYZQ04



TE Part #2834171-3
ULTRAMINIATURE SLIM CONTACT



TE Part #465468-1
INSERTION TOOL TIP

Documents

CAD Files

3D PDF

3D

Customer View Model

[ENG_CVM_CVM_2213678-5_C.2d_dxf.zip](#)

English

Customer View Model

[ENG_CVM_CVM_2213678-5_C.3d_igs.zip](#)

English

Customer View Model

[ENG_CVM_CVM_2213678-5_C.3d_stp.zip](#)

English

By downloading the CAD file I accept and agree to the [Terms and Conditions](#) of use.

Datasheets & Catalog Pages

[LUMAWISE LED Holder Type Z35](#)

English

[LUMAWISE LED Holder Type Z35](#)

Product Specifications

[Application Specification](#)

English

Product Environmental Compliance

[Product Compliance](#)

English

[Product Compliance](#)



English

[Agency Approvals](#)

[KEMA Certificate label](#)

English