

FORGE

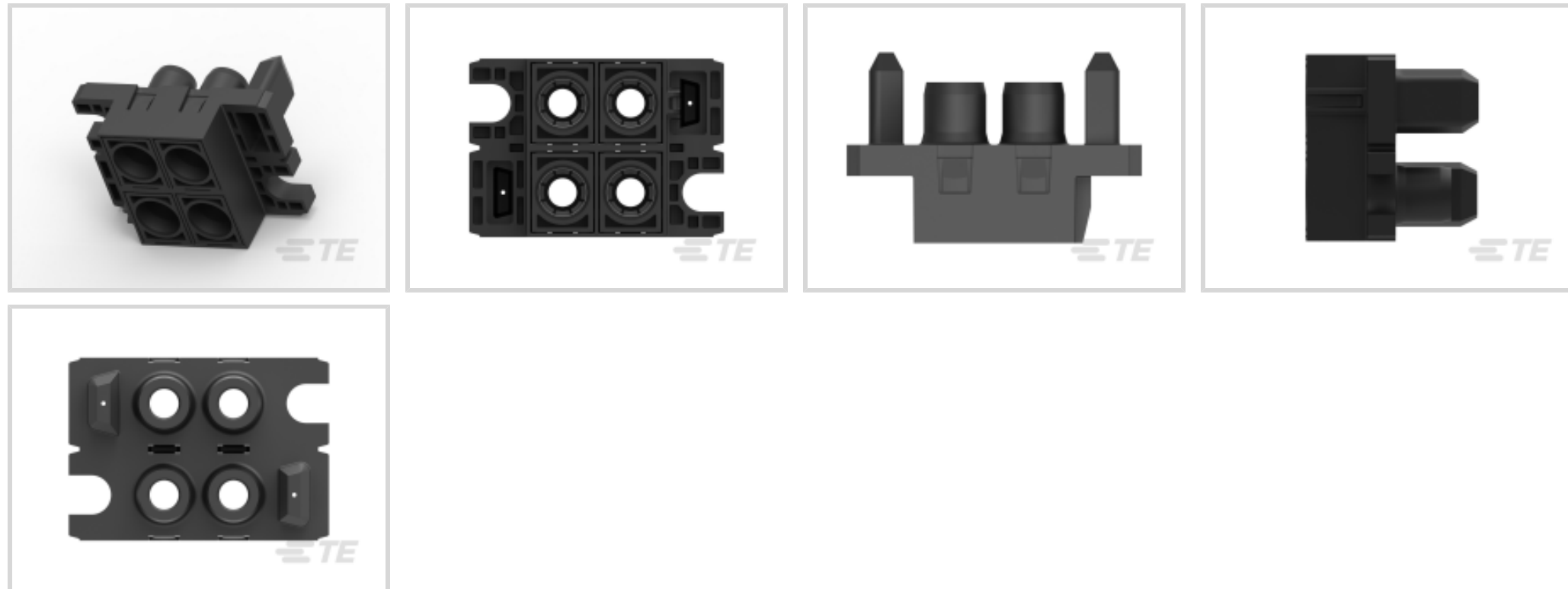
TE Internal #: 2212245-1

Rectangular Power Connectors, Connector Assembly, Receptacle, Wire-to-Panel, 4 Position, 250 mm [9.84 in] Centerline, Wire & Cable, UL 94V-0

[View on TE.com >](#)



Connectors > Power Connectors > Rectangular Power > Rectangular Power Connectors



Rectangular Power Connector Type: **Connector Assembly**

Connector & Housing Type: **Receptacle**

Connector System: **Wire-to-Panel**

Number of Positions: **4**

Centerline (Pitch): **250 mm [9.84 in]**

Features

Product Type Features

Compatible With Discrete Wire Type	Stranded
Rectangular Power Connector Type	Connector Assembly
Connector & Housing Type	Receptacle
Connector System	Wire-to-Panel
Sealable	No
Connector & Contact Terminates To	Wire & Cable

Configuration Features

Number of Positions	4
Number of Rows	2

Body Features

Cable Exit Angle	180°
Connector Profile	Standard

Contact Features

Contact Retention Within Housing	With
----------------------------------	------



Contact Type	Socket
--------------	--------

Termination Features

Termination Method to Wire & Cable	Crimp
------------------------------------	-------

Mechanical Attachment

Mating Alignment Type	Blindmate
-----------------------	-----------

Mating Alignment	With
------------------	------

Panel Mount Feature	With
---------------------	------

Panel Mount Feature Type	Screw Mount
--------------------------	-------------

Connector Mounting Type	Panel Mount
-------------------------	-------------

Housing Features

Centerline (Pitch)	250 mm[9.84 in]
--------------------	-----------------

Housing Color	Black
---------------	-------

Housing Material	Polyester GF
------------------	--------------

Dimensions

Panel Thickness (Recommended)	1.5 – 1.78 mm[.59 – .7 in]
-------------------------------	----------------------------

Connector Height	42 mm[1.654 in]
------------------	-----------------

Product Width	38.75 mm[1.526 in]
---------------	--------------------

Product Length	60 mm[2.362 in]
----------------	-----------------

Row-to-Row Spacing	21 mm[.827 in]
--------------------	----------------

Usage Conditions

Operating Temperature Range	-40 – 105 °C[-40 – 221 °F]
-----------------------------	----------------------------

Operation/Application

Shielded	No
----------	----

Circuit Application	Power
---------------------	-------

Identification Marking

Circuit Identification Feature	Without
--------------------------------	---------

Industry Standards

UL Rating	Certified
-----------	-----------

Approved Standards	UL 1977
--------------------	---------

UL Flammability Rating	UL 94V-0
------------------------	----------

Glow Wire Rating	Standard Part - Not Glow Wire
------------------	-------------------------------



Packaging Features

Packaging Method	Box
------------------	-----

Product Compliance

[For compliance documentation, visit the product page on TE.com>](#)

EU RoHS Directive 2011/65/EU	Compliant
EU ELV Directive 2000/53/EC	Compliant
China RoHS 2 Directive MIIT Order No 32, 2016	No Restricted Materials Above Threshold
EU REACH Regulation (EC) No. 1907/2006	Current ECHA Candidate List: JUNE 2023 (235) Candidate List Declared Against: JUNE 2023 (235) Does not contain REACH SVHC
Halogen Content	Not Low Halogen - contains Br or Cl > 900 ppm.
Solder Process Capability	Not applicable for solder process capability

Product Compliance Disclaimer

This information is provided based on reasonable inquiry of our suppliers and represents our current actual knowledge based on the information they provided. This information is subject to change. The part numbers that TE has identified as EU RoHS compliant have a maximum concentration of 0.1% by weight in homogenous materials for lead, hexavalent chromium, mercury, PBB, PBDE, DBP, BBP, DEHP, DIBP, and 0.01% for cadmium, or qualify for an exemption to these limits as defined in the Annexes of Directive 2011/65/EU (RoHS2). Finished electrical and electronic equipment products will be CE marked as required by Directive 2011/65/EU. Components may not be CE marked. Additionally, the part numbers that TE has identified as EU ELV compliant have a maximum concentration of 0.1% by weight in homogenous materials for lead, hexavalent chromium, and mercury, and 0.01% for cadmium, or qualify for an exemption to these limits as defined in the Annexes of Directive 2000/53/EC (ELV). Regarding the REACH Regulation, the information TE provides on SVHC in articles for this part number is based on the latest European Chemicals Agency (ECHA) 'Guidance on requirements for substances in articles' posted at this URL: <https://echa.europa.eu/guidance-documents/guidance-on-reach>

Compatible Parts



Customers Also Bought



Documents

Product Drawings

[FORGE, ASSY SCKT, 0#0-4#4-0#8-0#12-0#22](#)

English

CAD Files

[3D PDF](#)

3D

Customer View Model

[ENG_CVM_CVM_2212245-1_2.2d_dxf.zip](#)

English

Customer View Model

[ENG_CVM_CVM_2212245-1_2.3d_igs.zip](#)

English

Customer View Model

[ENG_CVM_CVM_2212245-1_2.3d_stp.zip](#)

English

By downloading the CAD file I accept and agree to the [Terms and Conditions](#) of use.

Datasheets & Catalog Pages



[1-1773875-1_FORGE_DRAWER_CONNECTORS_CN](#)

[3-1773463-3_FORGE_DRAWER_CONNECTORS](#)

English

[Product Specifications](#)

[Application Specification](#)

English

[Application Specification](#)

English