

221117-4 ✓ ACTIVE

[AMP](#) | [AMP SMA](#)

TE Internal #: 221117-4

SMA RF Interface, Plug, 50 Ω , RG 188A / RG 174 / RG 316,
Threaded, 18 GHz Operating Frequency, 1 Position, Sealable, Wire
& Cable, AMP SMA

[View on TE.com >](#)



[Connectors](#) > [RF Connectors](#) > [Coax Connectors](#)



RF Interface: **SMA**

RF Connector Style: **Plug**

RF Connector Mated Outer Diameter (Approximate): **8.99 mm [.354 in]**

Impedance: **50 Ω**

Compatible With RF Cable Type: **RG 174, RG 188, RG 188A, RG 316**

Features

Product Type Features

Connector Product Type	Connector Assembly
Connector Seal & Plug Type	Interfacial Seal
RF Interface	SMA
RF Connector Style	Plug
Compatible With RF Cable Type	RG 174, RG 188, RG 188A, RG 316
Sealable	Yes
Connector & Contact Terminates To	Wire & Cable

Configuration Features

Number of Positions	1
Number of Coaxial Contacts	1

Electrical Characteristics

Impedance	50 Ω
-----------	-------------

Body Features

Cable Connector Orientation	Straight
Body Material	Stainless Steel
Body Material Finish	Passivated

Contact Features

RF Connector Center Contact Underplating Material	Nickel
---	--------



RF Connector Contact Configuration	Not Captivated
------------------------------------	----------------

Ferrule Plating Material	Tin
--------------------------	-----

Crimp Type	Dual
------------	------

Ferrule Material	Brass, Copper Alloy
------------------	---------------------

RF Connector Center Contact Plating Material	Gold
--	------

RF Connector Center Contact Material	Brass
--------------------------------------	-------

Termination Features

Termination Method to Wire & Cable	Crimp
------------------------------------	-------

Mechanical Attachment

RF Connector Coupling Mechanism	Threaded
---------------------------------	----------

Connector Mounting Type	Cable Mount (Free-Hanging)
-------------------------	----------------------------

RF Contact Captivation Method	Mechanical
-------------------------------	------------

Dimensions

Product Length	30.18 mm[1.188 in]
----------------	--------------------

RF Connector Mated Outer Diameter (Approximate)	8.99 mm[.354 in]
---	------------------

Usage Conditions

Operating Temperature Range	-65 – 165 °C[-85 – 329 °F]
-----------------------------	----------------------------

Operation/Application

Operating Frequency	18 GHz
---------------------	--------

Packaging Features

Packaging Method	Package
------------------	---------

Other

Coupling Nut Plating Finish	Passivated
-----------------------------	------------

Coupling Nut Base Material	Stainless Steel
----------------------------	-----------------

Grade	Military
-------	----------

Dielectric Material	PTFE
---------------------	------

Product Compliance

[For compliance documentation, visit the product page on TE.com>](#)

EU RoHS Directive 2011/65/EU	Compliant with Exemptions
------------------------------	---------------------------

EU ELV Directive 2000/53/EC	Compliant with Exemptions
-----------------------------	---------------------------

China RoHS 2 Directive MIIT Order No 32, 2016	Restricted Materials Above Threshold
---	--------------------------------------



EU REACH Regulation (EC) No. 1907/2006

Current ECHA Candidate List: JUNE 2023
 (235)

Candidate List Declared Against: JAN 2023
 (233)

SVHC > Threshold:

Pb (3.7% in component)

Article Safe Usage Statements:

Do not eat, drink or smoke when using this product. Wash thoroughly after handling. Recycle if possible and dispose of the article by following all applicable governmental regulations relevant to your geographic location.

Halogen Content

Low Bromine/Chlorine - Br and Cl < 900 ppm per homogenous material. Also BFR /CFR/PVC Free

Solder Process Capability

Not applicable for solder process capability

Product Compliance Disclaimer

This information is provided based on reasonable inquiry of our suppliers and represents our current actual knowledge based on the information they provided. This information is subject to change. The part numbers that TE has identified as EU RoHS compliant have a maximum concentration of 0.1% by weight in homogenous materials for lead, hexavalent chromium, mercury, PBB, PBDE, DBP, BBP, DEHP, DIBP, and 0.01% for cadmium, or qualify for an exemption to these limits as defined in the Annexes of Directive 2011/65/EU (RoHS2). Finished electrical and electronic equipment products will be CE marked as required by Directive 2011/65/EU. Components may not be CE marked. Additionally, the part numbers that TE has identified as EU ELV compliant have a maximum concentration of 0.1% by weight in homogenous materials for lead, hexavalent chromium, and mercury, and 0.01% for cadmium, or qualify for an exemption to these limits as defined in the Annexes of Directive 2000/53/EC (ELV). Regarding the REACH Regulation, the information TE provides on SVHC in articles for this part number is based on the latest European Chemicals Agency (ECHA) 'Guidance on requirements for substances in articles' posted at this URL: <https://echa.europa.eu/guidance-documents/guidance-on-reach>

Also in the Series | AMP SMA



Battery Holders(1)



Coax Connectors(295)



Connector Savers & Adapters(12)



Rack & Panel Ferrules & Inserts(1)



RF Cable Assemblies(2)



RF Connector Hardware(2)



RF Connector Launchers(8)

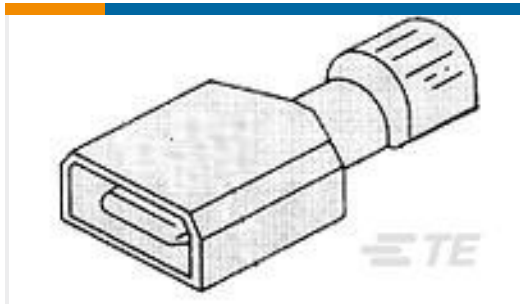


RF Connector Shrouds(3)



RF Terminators(1)

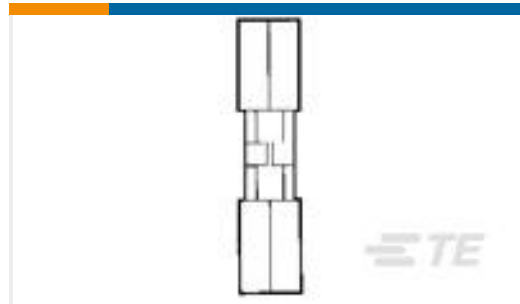
Customers Also Bought



TE Part #2-521103-2
 ULTRA-FAST 187 ASY REC 22-18 TPBR



TE Part #104257-3
 04 MTE RCPT HSG SR LATCH .100



TE Part #324001
 SPLICE,SOLIS BUTT STRAP 24-20



TE Part #2029185-1
 CMNL SKT W/INDENTED SIDES



TE Part #1059868-1
 4706 7985 02



TE Part #5-830395-1
 LGH 1/2 RECEPT (PLTD)



TE Part #NB14374001
 VERSAFIT-3/4-0-SP



TE Part #NB20274001
 VERSAFIT-3/16-0-SP



TE Part #NB20164001
 VERSAFIT-1/8-0-SP

Documents

Product Drawings

[KIT, COMMERCIAL SMA PLUG ASSY](#)

English

CAD Files

Customer View Model

[ENG_CVM_221117-4_C.3d_igs.zip](#)

English

Customer View Model



[ENG_CVM_221117-4_C.3d_stp.zip](#)

English

Customer View Model

[ENG_CVM_221117-4_C.2d_dxf.zip](#)

English

3D PDF

English

By downloading the CAD file I accept and agree to the [Terms and Conditions](#) of use.

Datasheets & Catalog Pages

Products for Aerospace and Defense

English