



AMP | AMP SMA

TE Internal #: 221117-2

SMA RF Interface, Plug, 50 Ω, RG 316 / RG 188A / RG 174, Threaded, 18 GHz Operating Frequency, 1 Position, Sealable, Wire & Cable, AMP SMA

[View on TE.com >](#)

Connectors > RF Connectors > Coax Connectors



RF Interface: **SMA**

RF Connector Style: **Plug**

RF Connector Mated Outer Diameter (Approximate): **8.99 mm [.354 in]**

Impedance: **50 Ω**

Compatible With RF Cable Type: **RG 174, RG 188, RG 188A, RG 316**

Features

Product Type Features

Connector Product Type	Connector Assembly
Connector Seal & Plug Type	Interfacial Seal
RF Interface	SMA
RF Connector Style	Plug
Compatible With RF Cable Type	RG 174, RG 188, RG 188A, RG 316
Sealable	Yes
Connector & Contact Terminates To	Wire & Cable

Configuration Features

Number of Positions	1
Number of Coaxial Contacts	1

Electrical Characteristics

Impedance	50 Ω
-----------	------

Body Features

Cable Connector Orientation	Straight
Body Material	Stainless Steel
Body Material Finish	Passivated

Contact Features

RF Connector Center Contact Underplating Material	Nickel
---	--------



Ferrule Plating Material	Tin-Lead
Crimp Type	Hex
Ferrule Material	Brass, Copper Alloy
RF Connector Center Contact Plating Material	Gold
RF Connector Center Contact Material	Brass

Termination Features

Termination Method to Wire & Cable	Crimp
------------------------------------	-------

Mechanical Attachment

RF Connector Coupling Mechanism	Threaded
Connector Mounting Type	Cable Mount (Free-Hanging)
RF Contact Captivation Method	Mechanical

Dimensions

Product Length	30.18 mm[1.188 in]
RF Connector Mated Outer Diameter (Approximate)	8.99 mm[.354 in]

Usage Conditions

Operating Temperature Range	-65 – 165 °C[-85 – 329 °F]
-----------------------------	----------------------------

Operation/Application

Operating Frequency	18 GHz
---------------------	--------

Packaging Features

Packaging Method	Package
------------------	---------

Other

Coupling Nut Plating Finish	Passivated
Coupling Nut Base Material	Stainless Steel
Grade	Military
Dielectric Material	PTFE

Product Compliance

[For compliance documentation, visit the product page on TE.com>](#)

EU RoHS Directive 2011/65/EU	Not Compliant
EU ELV Directive 2000/53/EC	Not Compliant
China RoHS 2 Directive MIIT Order No 32, 2016	Restricted Materials Above Threshold
EU REACH Regulation (EC) No. 1907/2006	



Current ECHA Candidate List: JUNE 2023
(235)
Candidate List Declared Against: JAN 2019
(197)
SVHC > Threshold:
Not Yet Reviewed

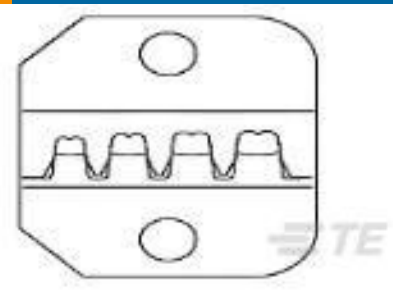
Halogen Content
Low Bromine/Chlorine - Br and Cl < 900 ppm per homogenous material. Also BFR /CFR/PVC Free

Solder Process Capability
Not applicable for solder process capability

Product Compliance Disclaimer

This information is provided based on reasonable inquiry of our suppliers and represents our current actual knowledge based on the information they provided. This information is subject to change. The part numbers that TE has identified as EU RoHS compliant have a maximum concentration of 0.1% by weight in homogenous materials for lead, hexavalent chromium, mercury, PBB, PBDE, DBP, BBP, DEHP, DIBP, and 0.01% for cadmium, or qualify for an exemption to these limits as defined in the Annexes of Directive 2011/65/EU (RoHS2). Finished electrical and electronic equipment products will be CE marked as required by Directive 2011/65/EU. Components may not be CE marked. Additionally, the part numbers that TE has identified as EU ELV compliant have a maximum concentration of 0.1% by weight in homogenous materials for lead, hexavalent chromium, and mercury, and 0.01% for cadmium, or qualify for an exemption to these limits as defined in the Annexes of Directive 2000/53/EC (ELV). Regarding the REACH Regulations, TE's information on SVHC in articles for this part number is still based on the European Chemical Agency (ECHA) 'Guidance on requirements for substances in articles' (Version: 2, April 2011), applying the 0.1% weight on weight concentration threshold at the finished product level. TE is aware of the European Court of Justice ruling of September 10th, 2015 also known as O5A (Once An Article Always An Article) stating that, in case of 'complex object', the threshold for a SVHC must be applied to both the product as a whole and simultaneously to each of the articles forming part of its composition. TE has evaluated this ruling based on the new ECHA "Guidance on requirements for substances in articles" (June 2017, version 4.0) and will be updating its statements accordingly.

Compatible Parts




TE Part # 91908-1
PREM SDE DIE,SMA RG 188,58




TE Part # 220061-1
DAHT COAXICON RG188 RG58 C ASSY


Also in the Series | AMP SMA




Battery Holders(1)



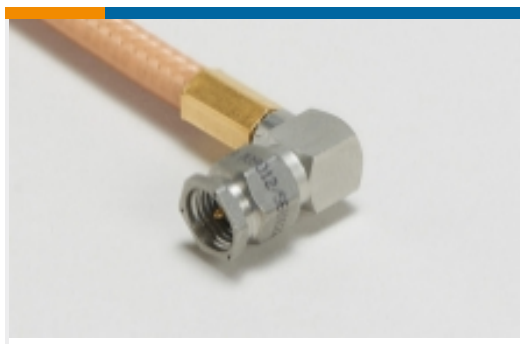
Coax Connectors(295)



Connector Savers & Adapters(12)



Rack & Panel Ferrules & Inserts(1)



RF Cable Assemblies(2)



RF Connector Hardware(2)



RF Connector Launchers(8)



RF Connector Shrouds(3)



RF Terminators(1)

Customers Also Bought



TE Part #650948-5
048 EURO TYPE C PIN ST ASSY



TE Part #2-1393030-1
SSRT-240D10 = PANEL MOUNT,10A,
240VAC



TE Part #YDTS26W11-98SNV001
PLUG ASSY



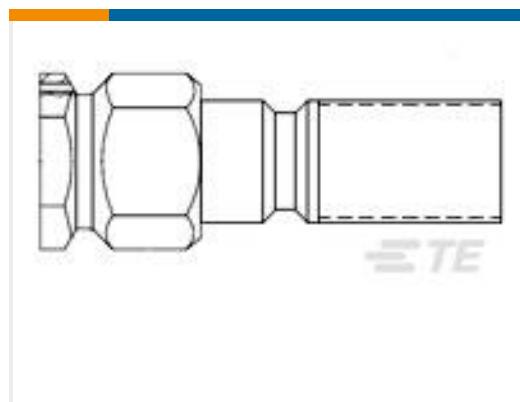
TE Part #YDTS26W17-35SAV001
PLUG ASSY



TE Part #YDTS26W19-11SAV001
PLUG ASSY



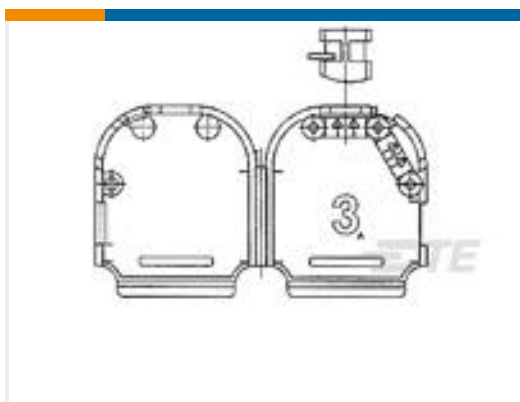
TE Part #NB13052001
RNF-100-1-BK-STK



TE Part #1051788-1
SMA CABLE PLUG 2031 8052 92



TE Part #205555-3
AMPLIMITE,ASY,RCPT,STD,109,1,K



TE Part #5749914-2
AMPLI CABLE CLAMP KIT,SZ 1



TE Part #1616008-3
BH138DL=RELAY

Documents



Product Drawings

[KIT, COMMERCIAL SMA PLUG ASSY](#)

English

CAD Files

Customer View Model

[ENG_CVM_221117-2_C.3d_igs.zip](#)

English

Customer View Model

[ENG_CVM_221117-2_C.3d_stp.zip](#)

English

Customer View Model

[ENG_CVM_221117-2_C.2d_dxf.zip](#)

English

3D PDF

English

By downloading the CAD file I accept and agree to the [Terms and Conditions](#) of use.

Instruction Sheets

[Instruction Sheet \(U.S.\)](#)

English

[SMA Series Commercial 50-OHM RF Connectors for Flexible Cable](#)

English