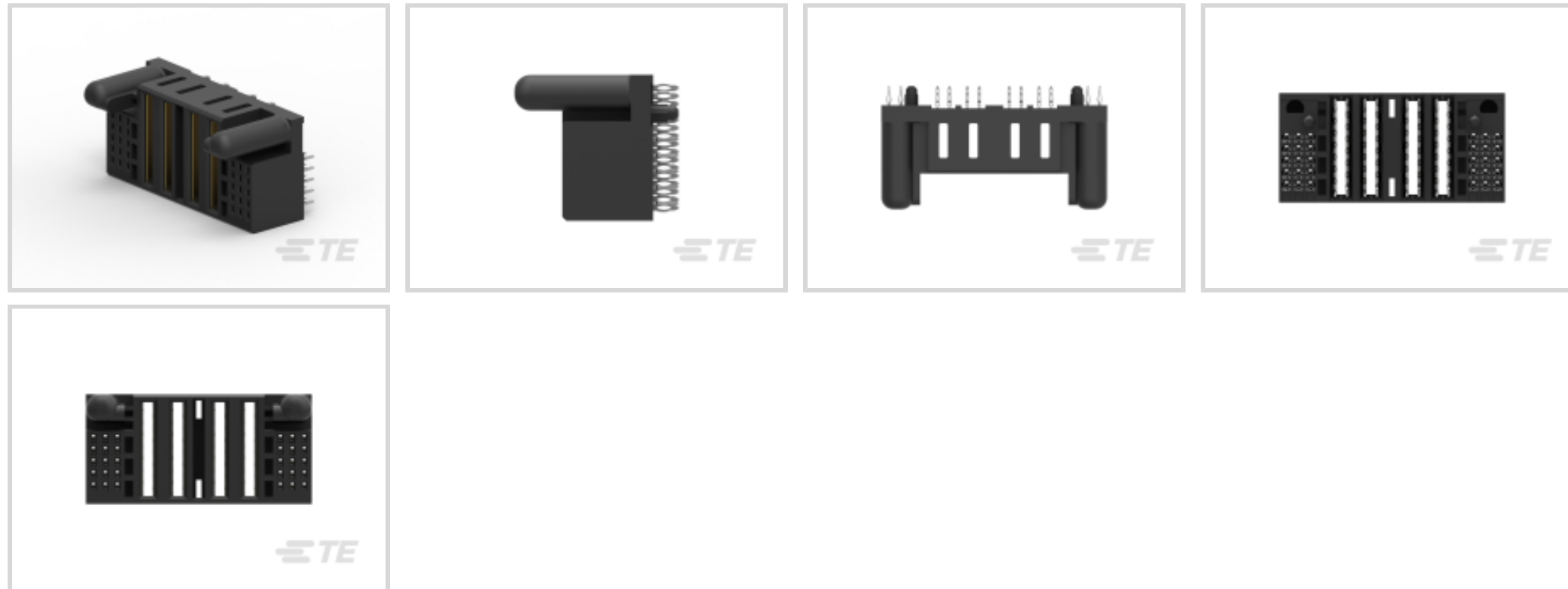




Connectors > Power Connectors > Rectangular Power > Rectangular Power Connectors



Rectangular Power Connector Type: **Header**

Connector & Housing Type: **Receptacle**

Connector System: **Board-to-Board**

Number of Positions: **34**

Centerline (Pitch): **2 mm, 5 mm [.078 in, .196 in]**

## Features

### Product Type Features

Rectangular Power Connector Type	Header
Connector & Housing Type	Receptacle
Connector System	Board-to-Board
Sealable	No
Connector & Contact Terminates To	Printed Circuit Board

### Configuration Features

Number of Positions by Circuit Application	4/Power, 30/Signal
Number of Positions	34
PCB Mount Orientation	Vertical
Number of Power Positions	4
Number of Signal Positions	30
Number of Rows	5

### Electrical Characteristics

Operating Voltage	60 VDC
-------------------	--------



### Contact Features

Contact Mating Area Plating Material	Gold Flash over Palladium Nickel
Contact Underplating Material	Nickel
Contact Current Rating (Max)	372 A
Contact Retention Within Housing	With
Contact Type	Receptacle
PCB Contact Termination Area Plating Material	Tin
Contact Mating Area Plating Material Thickness	.076 $\mu\text{m}$ [3 $\mu\text{in}$ ]

### Termination Features

Termination Post & Tail Length	3.2 mm
Termination Method to Printed Circuit Board	Through Hole - Press-Fit

### Mechanical Attachment

Connector Mounting Type	Board Mount
-------------------------	-------------

### Housing Features

Centerline (Pitch)	2 mm, 5 mm [.078 in][.196 in]
Housing Color	Black
Housing Material	Thermoplastic

### Dimensions

Row-to-Row Spacing	2 mm [.079 in]
--------------------	----------------

### Usage Conditions

Operating Temperature Range	-40 – 125 °C[-40 – 257 °F]
-----------------------------	----------------------------

### Operation/Application

Circuit Application	Power & Signal
---------------------	----------------

### Industry Standards

UL Flammability Rating	UL 94V-0
Glow Wire Rating	High Temperature Part - Not Glow Wire

### Packaging Features

Packaging Method	Box & Tray
------------------	------------

### Product Compliance

[For compliance documentation, visit the product page on TE.com>](#)



EU RoHS Directive 2011/65/EU	Compliant
EU ELV Directive 2000/53/EC	Compliant
China RoHS 2 Directive MIIT Order No 32, 2016	No Restricted Materials Above Threshold
EU REACH Regulation (EC) No. 1907/2006	Current ECHA Candidate List: JUNE 2023 (235) Candidate List Declared Against: JUNE 2023 (235) Does not contain REACH SVHC
Halogen Content	Low Halogen - Br, Cl, F, I < 900 ppm per homogenous material. Also BFR/CFR/PVC Free
Solder Process Capability	Not reviewed for solder process capability

Product Compliance Disclaimer

This information is provided based on reasonable inquiry of our suppliers and represents our current actual knowledge based on the information they provided. This information is subject to change. The part numbers that TE has identified as EU RoHS compliant have a maximum concentration of 0.1% by weight in homogenous materials for lead, hexavalent chromium, mercury, PBB, PBDE, DBP, BBP, DEHP, DIBP, and 0.01% for cadmium, or qualify for an exemption to these limits as defined in the Annexes of Directive 2011/65/EU (RoHS2). Finished electrical and electronic equipment products will be CE marked as required by Directive 2011/65/EU. Components may not be CE marked. Additionally, the part numbers that TE has identified as EU ELV compliant have a maximum concentration of 0.1% by weight in homogenous materials for lead, hexavalent chromium, and mercury, and 0.01% for cadmium, or qualify for an exemption to these limits as defined in the Annexes of Directive 2000/53/EC (ELV). Regarding the REACH Regulation, the information TE provides on SVHC in articles for this part number is based on the latest European Chemicals Agency (ECHA) 'Guidance on requirements for substances in articles' posted at this URL: <https://echa.europa.eu/guidance-documents/guidance-on-reach>

## Compatible Parts

 <p>TE Part # 2204422-4 MULTI-BEAM HD VER.REC. 15S+2LP+6P+15S</p>	 <p>TE Part # 2204422-5 MULTI-BEAM HD VER.REC.15S+15S</p>	 <p>TE Part # 2204422-6 MULTI-BEAM HD VER.REC. 15S+2LP+4P+15S</p>	 <p>TE Part # 2204425-1 MULTI-BEAM HD VERTICAL REC. P+MP+P+G</p>
 <p>TE Part # 2204426-7 MULTI-BEAM HD VER.REC. 2P+2LP+2P+20S</p>	 <p>TE Part # 2204440-1 MULTI-BEAM HD R/A PLUG 15S+2P+2P+15S</p>	 <p>TE Part # 2204452-2 MULTI-BEAM HD R/A PLUG 15S+2LP+6P+15S</p>	 <p>TE Part # 2204452-3 MULTI-BEAM HD R/A PLUG 15S+15S</p>




TE Part # 2204452-4  
MULTI-BEAM HD R/A PLUG  
15S+2LP+4P+15S



TE Part # 2204861-2  
MULTI-BEAM HD R/A PLUG 2P+15S  
EXTEND PLA



TE Part # 2204862-2  
MULTI-BEAM HD VER. REC. 2P+15S  
EXTEND



TE Part # 2204423-5  
MULTI-BEAM HD VERTICAL REC. 4MP

TE Part # 2204403-2  
MULTI-BEAM HD R/A REC.2P+20S

TE Part # 2204443-6  
MULTI-BEAM HD R/A PLUG 2P+20S

TE Part # 2204456-6  
MB HD R/A PLUG 2P+2LP+2P+20S  
SOLDER

Also in the Series | MULTI-BEAM HD



Rectangular Power Connectors(46)

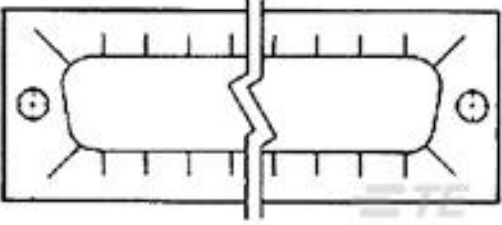
Customers Also Bought




TE Part #5084616-4  
0.8FH,R13H.5,100,08/Sn,TR,SC



TE Part #2-2176053-0  
RLP73N 2A R33 1% 1K RL



TE Part #5747024-3  
RFI GASKET, SIZE 1, PLATED



TE Part #223982-1  
Stainless Steel Guide Pin M4x0.7



TE Part #5-1614881-9  
CPF 0603 100R 0.1% 25PPM 5K RL



TE Part #2042088-2  
Vert.Male, IEC L2



TE Part #1-2176389-4  
RQ 1206 147R 0.1% 10PPM 5K RL



TE Part #2204420-9  
MULTI-BEAM HD VERTICAL REC.  
15S+3P+3P+15



## Documents

### Product Drawings

#### MULTI-BEAM HD VERTICAL REC. 15S+2P+2P+15

English

### CAD Files

#### 3D PDF

3D

#### Customer View Model

[ENG\\_CVM\\_CVM\\_2204420-1\\_A.2d\\_dxf.zip](#)

English

#### Customer View Model

[ENG\\_CVM\\_CVM\\_2204420-1\\_A.3d\\_igs.zip](#)

English

#### Customer View Model

[ENG\\_CVM\\_CVM\\_2204420-1\\_A.3d\\_stp.zip](#)

English

By downloading the CAD file I accept and agree to the [Terms and Conditions](#) of use.

### Product Specifications

#### Application Specification

English

### Product Environmental Compliance

[MD\\_2204420-1\\_06062018442\\_dmtec](#)

English

[MD\\_2204420-1\\_06062018442\\_dmtec](#)

English

### Agency Approvals

[UL](#)

English