

2203876-1 ✓ ACTIVE

DEUTSCH | AMPSEAL 16

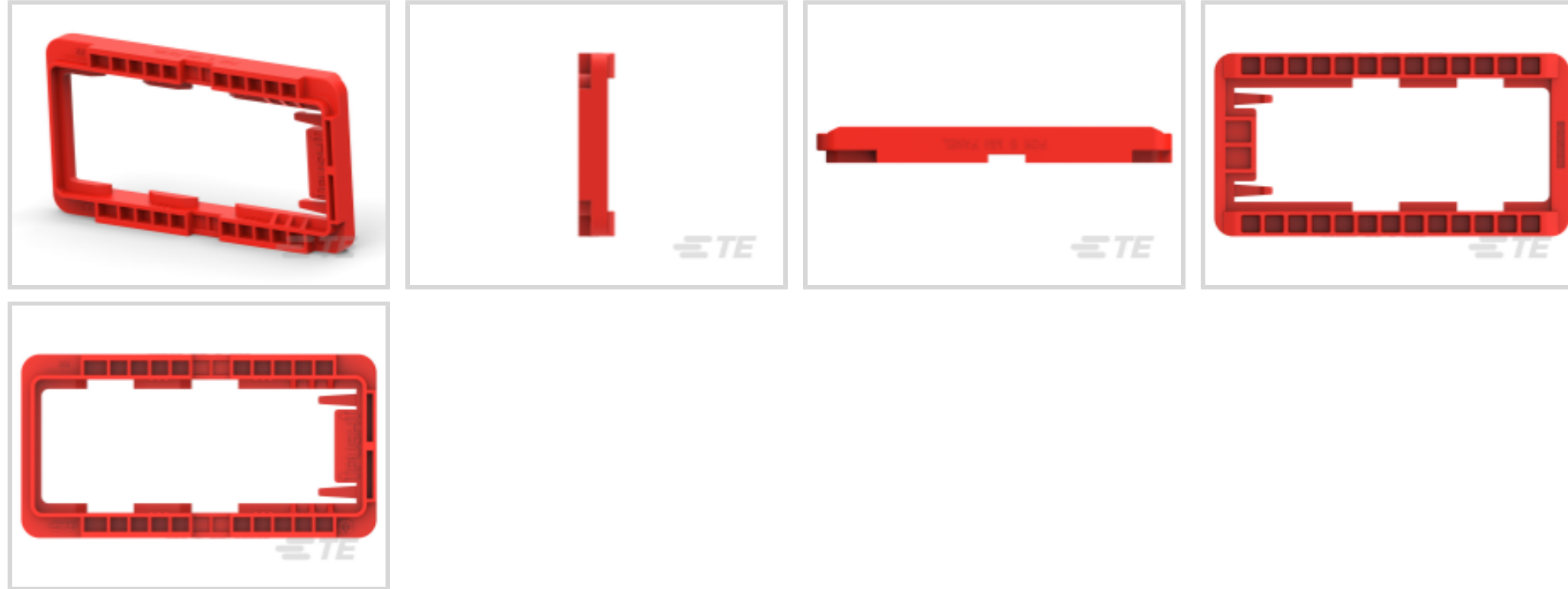
TE Internal #: 2203876-1

Other Automotive Connector Accessories, Mounting Clip, PBT GF,
Red, -40 – 125 °C, AMPSEAL 16

[View on TE.com >](#)



Connectors > Automotive Connectors > Automotive Connector Accessories > Other Automotive Connector Accessories



Automotive Connector Accessory Type: **Mounting Clip**

Primary Product Material: **PBT GF**

Primary Product Color: **Red**

Operating Temperature Range: **-40 – 125 °C**

Features

Product Type Features

Automotive Connector Accessory Type	Mounting Clip
-------------------------------------	---------------

Body Features

Primary Product Material	PBT GF
--------------------------	--------

Primary Product Color	Red
-----------------------	-----

Usage Conditions

Operating Temperature Range	-40 – 125 °C
-----------------------------	--------------

Industry Standards

UL Flammability Rating	UL 94HB
------------------------	---------

Packaging Features

Packaging Quantity	320
--------------------	-----

Packaging Method	Bulk
------------------	------

Other

Serviceable	Yes
-------------	-----

Product Compliance



[For compliance documentation, visit the product page on TE.com>](#)

EU RoHS Directive 2011/65/EU	Compliant
EU ELV Directive 2000/53/EC	Compliant
China RoHS 2 Directive MIIT Order No 32, 2016	No Restricted Materials Above Threshold
EU REACH Regulation (EC) No. 1907/2006	Current ECHA Candidate List: JUNE 2023 (235) Candidate List Declared Against: JAN 2023 (233) Does not contain REACH SVHC
Halogen Content	Low Halogen - Br, Cl, F, I < 900 ppm per homogenous material. Also BFR/CFR/PVC Free
Solder Process Capability	Not applicable for solder process capability

Product Compliance Disclaimer

This information is provided based on reasonable inquiry of our suppliers and represents our current actual knowledge based on the information they provided. This information is subject to change. The part numbers that TE has identified as EU RoHS compliant have a maximum concentration of 0.1% by weight in homogenous materials for lead, hexavalent chromium, mercury, PBB, PBDE, DBP, BBP, DEHP, DIBP, and 0.01% for cadmium, or qualify for an exemption to these limits as defined in the Annexes of Directive 2011/65/EU (RoHS2). Finished electrical and electronic equipment products will be CE marked as required by Directive 2011/65/EU. Components may not be CE marked. Additionally, the part numbers that TE has identified as EU ELV compliant have a maximum concentration of 0.1% by weight in homogenous materials for lead, hexavalent chromium, and mercury, and 0.01% for cadmium, or qualify for an exemption to these limits as defined in the Annexes of Directive 2000/53/EC (ELV). Regarding the REACH Regulation, the information TE provides on SVHC in articles for this part number is based on the latest European Chemicals Agency (ECHA) 'Guidance on requirements for substances in articles' posted at this URL: <https://echa.europa.eu/guidance-documents/guidance-on-reach>

Compatible Parts

 <p>TE Part # 2272889-1 16POS,AMPSEAL 16,PIN HSG ASSY, SLD,COD A</p>	 <p>TE Part # 2272889-2 16POS,AMPSEAL 16,PIN HSG ASSY, SLD,COD B</p>	 <p>TE Part # 2272889-4 24POS,AMPSEAL 16,PIN HSG ASSY, SLD,COD D</p>
---	---	---

Also in the Series | AMPSEAL 16



Automotive Connector Caps & Covers (1)



Automotive Connector Locks & Position Assurance(2)



Automotive Housings(244)



Automotive Terminals(33)



Connector Backshells(84)



Connector Seals & Cavity Plugs(4)



Data Connectivity Headers(2)



Data Connectivity Housings(3)



Other Automotive Connector Accessories(11)

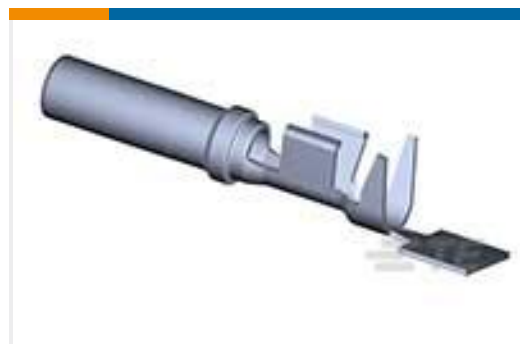
Customers Also Bought



TE Part #HDP26-24-35SE
DEUTSCH HDP20 Housings



TE Part #HDT-48-00
CRIMP TOOL, HAND



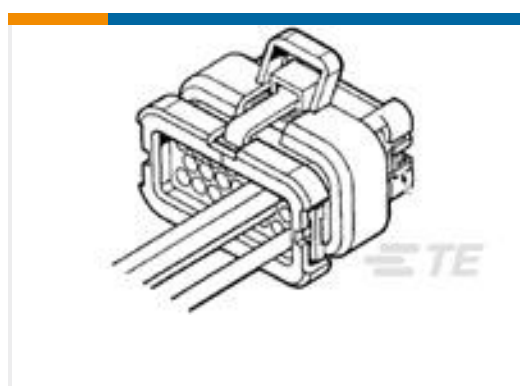
TE Part #1062-12-0144
SOC, SF, SIZE 12, 12-14, AU/SN



TE Part #2203876-2
MOUNTING CLIP, ML CONN, 4MM
PANEL



TE Part #2203956-1
COVER,AMPSEAL 16 ML CONN, 180
DEG



TE Part #770680-2
23POS,AMPSEAL,SOC HSG ASSY,SLD,
COD 2



TE Part #0411-240-2005
EXT TOOL, SIZE 20, 16-22 AWG, N,
RED



TE Part #DTT-20-00
CRIMP TOOL

Documents



Product Drawings

MOUNTING CLIP, ML CONN, 5MM PANEL

English

CAD Files

3D PDF

3D

Customer View Model

[ENG_CVM_CVM_2203876-1_A.2d_dxf.zip](#)

English

Customer View Model

[ENG_CVM_CVM_2203876-1_A.3d_igs.zip](#)

English

Customer View Model

[ENG_CVM_CVM_2203876-1_A.3d_stp.zip](#)

English

By downloading the CAD file I accept and agree to the [Terms and Conditions](#) of use.

Product Specifications

Application Specification

English