



DDR4 DIMM

TE Internal #: 2199155-1

DIMM Sockets, Double Data Rate (DDR) 4, Board-to-Bus Bar, 288 Position, Surface Mount Mount, Vertical Module Orientation, DDR4 DIMM

[View on TE.com >](#)

Connectors > Socket Connectors > Memory Sockets > DIMM Sockets > DDR4 DIMM SOCKETS



DRAM Type: **Double Data Rate (DDR) 4**

Connector System: **Board-to-Bus Bar**

Number of Positions: **288**

PCB Mounting Style: **Surface Mount**

Module Orientation: **Vertical**

[All DDR4 DIMM SOCKETS \(69\)](#)

Features

Product Type Features

DRAM Type	Double Data Rate (DDR) 4
Connector System	Board-to-Bus Bar
Connector & Contact Terminates To	Printed Circuit Board

Configuration Features

Number of Positions	288
Module Orientation	Vertical

Body Features

Ejector Type	Standard
--------------	----------

Contact Features

Contact Current Rating (Max)	.75 A
------------------------------	-------

Mechanical Attachment

PCB Mounting Style	Surface Mount
Connector Mounting Type	Board Mount

Housing Features

Centerline (Pitch)	.85 mm[.033 in]
--------------------	-----------------



Usage Conditions

Operating Temperature Range	-55 – 105 °C[-67 – 221 °F]
-----------------------------	----------------------------

Operation/Application

Circuit Application	Signal
---------------------	--------

Packaging Features

Packaging Method	Hard Tray
------------------	-----------

Product Compliance

[For compliance documentation, visit the product page on TE.com>](#)

EU RoHS Directive 2011/65/EU	Compliant
EU ELV Directive 2000/53/EC	Compliant
China RoHS 2 Directive MIIT Order No 32, 2016	No Restricted Materials Above Threshold
EU REACH Regulation (EC) No. 1907/2006	Current ECHA Candidate List: JUNE 2023 (235) Candidate List Declared Against: JUNE 2023 (235) Does not contain REACH SVHC
Halogen Content	Low Halogen - Br, Cl, F, I < 900 ppm per homogenous material. Also BFR/CFR/PVC Free
Solder Process Capability	Reflow solder capable to 260°C

Product Compliance Disclaimer

This information is provided based on reasonable inquiry of our suppliers and represents our current actual knowledge based on the information they provided. This information is subject to change. The part numbers that TE has identified as EU RoHS compliant have a maximum concentration of 0.1% by weight in homogenous materials for lead, hexavalent chromium, mercury, PBB, PBDE, DBP, BBP, DEHP, DIBP, and 0.01% for cadmium, or qualify for an exemption to these limits as defined in the Annexes of Directive 2011/65/EU (RoHS2). Finished electrical and electronic equipment products will be CE marked as required by Directive 2011/65/EU. Components may not be CE marked. Additionally, the part numbers that TE has identified as EU ELV compliant have a maximum concentration of 0.1% by weight in homogenous materials for lead, hexavalent chromium, and mercury, and 0.01% for cadmium, or qualify for an exemption to these limits as defined in the Annexes of Directive 2000/53/EC (ELV). Regarding the REACH Regulation, the information TE provides on SVHC in articles for this part number is based on the latest European Chemicals Agency (ECHA) 'Guidance on requirements for substances in articles' posted at this URL: <https://echa.europa.eu/guidance-documents/guidance-on-reach>

Compatible Parts




TE Part # 2-2822979-3
LGA3647-0 SOCKET P0 KIT FOR ODM (30U AU)

TE Part # 2199155-5
DDR4 DIMM 288 PIN SMT TYPE

TE Part # 2199155-7
DDR4 DIMM 288 Pin SMT type

TE Part # 5-2199155-5
DDR4 DIMM 288 Pin SMT type

TE Part # 5-2199155-6
DDR4 DIMM 288 Pin SMT type

TE Part # 5-2368060-7
DDR4 DIMM 288 Pin SMT type

TE Part # 5-2368060-8
DDR4 DIMM 288 Pin SMT type

Also in the Series | **DDR4 DIMM**



DIMM Sockets(69)



SO DIMM Sockets(39)

Customers Also Bought



TE Part #5786155-7
68 50SR VRT RCPT,LTCH,ACT PIN




TE Part #5106012-1
Z-PACK/C RAMH. 55P.



TE Part #1-178315-2
DYNAMIC S/ROW HDR 5P V ASSY



TE Part #2308107-7
DDR4 DIMM 288 PIN TH TYPE



TE Part #1473565-6
RITS CONN.HDR ASSY 6P



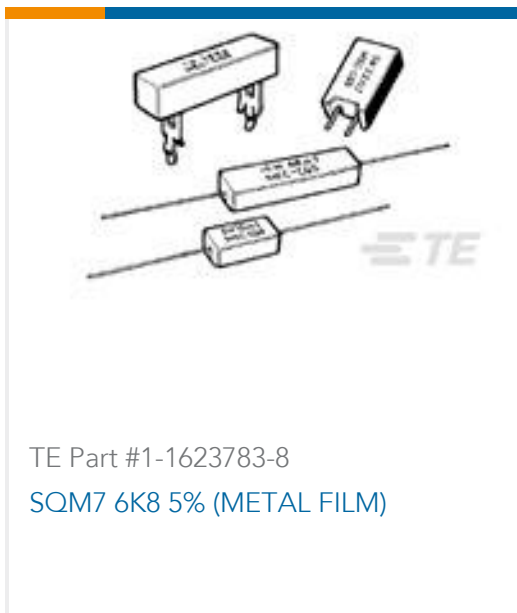
TE Part #171825-3
POST HEADER ASSY EI SRS 3POS



TE Part #5-534206-5
10 MODII VRT DR CE 100/115



TE Part #6-534206-0
20 MODII VRT DR CE 100/115



Documents

CAD Files

[3D PDF](#)

3D

Customer View Model

[ENG_CVM_CVM_2199155-1_B.2d_dxf.zip](#)

English

Customer View Model

[ENG_CVM_CVM_2199155-1_B.3d_igs.zip](#)

English

Customer View Model

[ENG_CVM_CVM_2199155-1_B.3d_stp.zip](#)

English

By downloading the CAD file I accept and agree to the [Terms and Conditions](#) of use.

Datasheets & Catalog Pages

[DDR4 DIMM Socket Flyer \(English\)](#)

English

[DDR4 DIMM Socket Flyer \(Chinese\)](#)

Product Specifications

[Product Specification](#)

English

Product Environmental Compliance

[MD_2199155-1_0922201713_dmtec](#)

English

[MD_2199155-1_0922201713_dmtec](#)

English