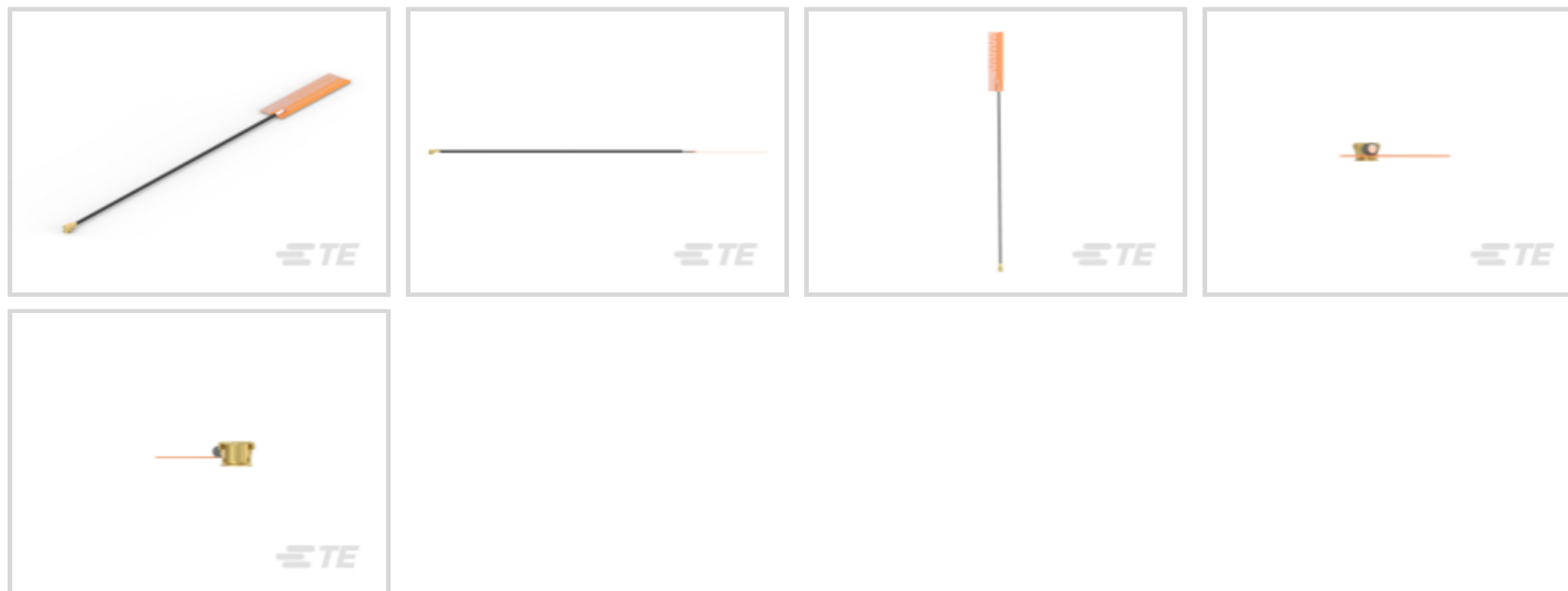




TE Internal #: 2195835-2
 Flexible PCB (FPC) Antenna, Single Band, LoRaWAN / ISM / Zigbee, Internal/Embedded Mount, Adhesive, MHF / UMCC / U.FL, Omnidirectional, Gain 3 < 6 dBi

[View on TE.com >](#)

Antennas



Wireless Application: **ISM, LoRaWAN, Zigbee**
 Mounting Location: **Internal/Embedded**
 Mounting Type: **Adhesive**
 Antenna Termination: **MHF, MHF1, U.FL, UMCC**
 Antenna Type: **Flexible PCB (FPC)**

Features

Product Type Features

Antenna Termination	MHF, MHF1, U.FL, UMCC
---------------------	-----------------------

Configuration Features

Antenna Style	Flexible PCB
Mounting Location	Internal/Embedded
Antenna Type	Flexible PCB (FPC)
Band Type	Single Band

Electrical Characteristics

Antenna Operation	Passive
VSWR (Max)	<2.5:1
Impedance	50 Ω

Signal Characteristics

Gain (Max)	3.2 dB, 4.5 dB
Frequency Band	868 – 915 MHz
Nominal Frequency Range	698 – 960



Peak Gain	3 < 6 dBi
-----------	-----------

Body Features

Product Weight	1 g [.35 oz]
----------------	--------------

Mechanical Attachment

Polarization	Linear
--------------	--------

Mounting Type	Adhesive
---------------	----------

Dimensions

Cable Insulation Diameter (Max)	1.13 mm [.044 in]
---------------------------------	-------------------

Cable Length	.1 m [.33 ft]
--------------	---------------

Product Width	9 mm [.354 in]
---------------	----------------

Product Length	38 mm [1.49 in]
----------------	-----------------

Product Height	.19 mm [.007 in]
----------------	------------------

Operation/Application

Directionality	Omnidirectional
----------------	-----------------

Industry Standards

Wireless Application	ISM, LoRaWAN, Zigbee
----------------------	----------------------

Primary Application	ISM, LoRaWAN, Zigbee
---------------------	----------------------

Product Availability

Applicable Region	Global
-------------------	--------

Packaging Features

Packaging Method	Bag & Box
------------------	-----------

Other

Precision Level	Standard
-----------------	----------

Product Compliance

[For compliance documentation, visit the product page on TE.com>](#)

EU RoHS Directive 2011/65/EU	Compliant
------------------------------	-----------

EU ELV Directive 2000/53/EC	Compliant
-----------------------------	-----------

China RoHS 2 Directive MIIT Order No 32, 2016	No Restricted Materials Above Threshold
---	---

EU REACH Regulation (EC) No. 1907/2006	Current ECHA Candidate List: JUNE 2023 (235) Candidate List Declared Against: JAN 2021 (211)
--	---

Does not contain REACH SVHC

Halogen Content

Low Bromine/Chlorine - Br and Cl < 900 ppm per homogenous material. Also BFR /CFR/PVC Free

Solder Process Capability

Not applicable for solder process capability

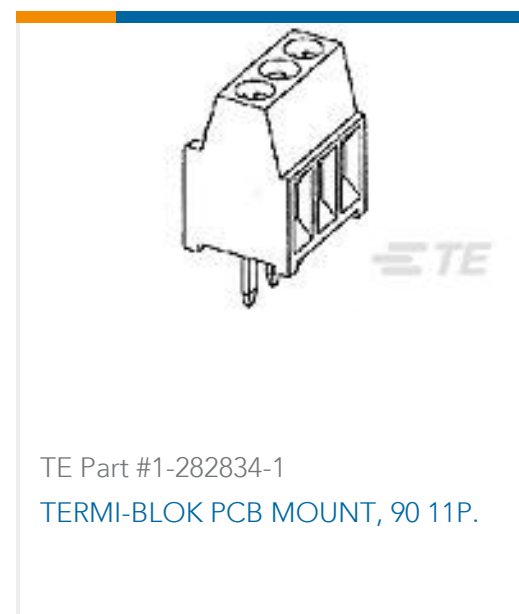
Product Compliance Disclaimer

This information is provided based on reasonable inquiry of our suppliers and represents our current actual knowledge based on the information they provided. This information is subject to change. The part numbers that TE has identified as EU RoHS compliant have a maximum concentration of 0.1% by weight in homogenous materials for lead, hexavalent chromium, mercury, PBB, PBDE, DBP, BBP, DEHP, DIBP, and 0.01% for cadmium, or qualify for an exemption to these limits as defined in the Annexes of Directive 2011/65/EU (RoHS2). Finished electrical and electronic equipment products will be CE marked as required by Directive 2011/65/EU. Components may not be CE marked. Additionally, the part numbers that TE has identified as EU ELV compliant have a maximum concentration of 0.1% by weight in homogenous materials for lead, hexavalent chromium, and mercury, and 0.01% for cadmium, or qualify for an exemption to these limits as defined in the Annexes of Directive 2000/53/EC (ELV). Regarding the REACH Regulation, the information TE provides on SVHC in articles for this part number is based on the latest European Chemicals Agency (ECHA) 'Guidance on requirements for substances in articles' posted at this URL: <https://echa.europa.eu/guidance-documents/guidance-on-reach>

Compatible Parts



Customers Also Bought





Documents

Product Drawings

ISM 868 / 915 MHz ANTENNA

English

CAD Files

3D PDF

3D

Customer View Model

[ENG_CVM_CVM_2195835-2_A.2d_dxf.zip](#)

English

Customer View Model

[ENG_CVM_CVM_2195835-2_A.3d_igs.zip](#)

English

Customer View Model

[ENG_CVM_CVM_2195835-2_A.3d_stp.zip](#)

English

By downloading the CAD file I accept and agree to the [Terms and Conditions](#) of use.

Datasheets & Catalog Pages

ISM 868 / 915 MHz ANTENNA

English

Product Specifications

Product Specification

English