

2178186-4 ✓ ACTIVE

ELCON | ELCON Mini

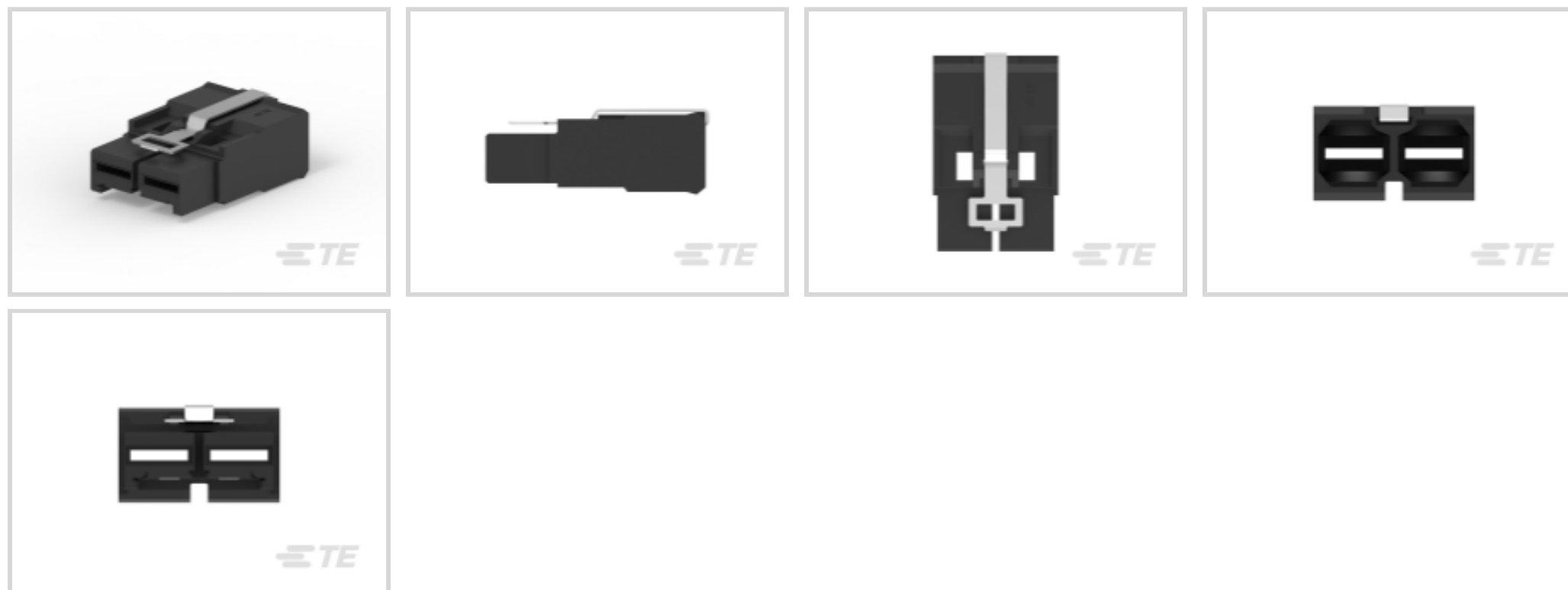
TE Internal #: 2178186-4

Rectangular Power Connectors, Housing, Receptacle, Wire-to-Board, 2 Position, 7.8 mm [.307 in] Centerline, Wire & Cable, UL 94V-0, ELCON Mini

[View on TE.com >](#)



Connectors > Power Connectors > Rectangular Power > Rectangular Power Connectors



Rectangular Power Connector Type: **Housing**

Connector & Housing Type: **Receptacle**

Connector System: **Wire-to-Board**

Number of Positions: **2**

Centerline (Pitch): **7.8 mm [.307 in]**

Features

Product Type Features

Rectangular Power Connector Type	Housing
Connector & Housing Type	Receptacle
Connector System	Wire-to-Board
Sealable	No
Connector & Contact Terminates To	Wire & Cable

Configuration Features

Compatible With Wire & Cable Type	Discrete Wire
Number of Positions	2
Number of Power Positions	2
Number of Signal Positions	0
Number of Rows	1

Electrical Characteristics

Insulation Resistance	1000 M Ω
Operating Voltage	500 VDC



Contact Features

Wire Contact Termination Area Plating Thickness	.8 μ m [.8 μ in]
Contact Mating Area Plating Material	Silver
Contact Base Material	Copper Alloy
Contact Current Rating (Max)	30 A, 40 A
Contact Retention Within Housing	With
Contact Type	Receptacle
Contact Mating Area Plating Material Thickness	.8 μ m [31.49 μ in]

Termination Features

Termination Method to Wire & Cable	Crimp
------------------------------------	-------

Mechanical Attachment

Mating Alignment Type	Polarization
Mating Retention	With
Mating Alignment	With
PCB Mount Retention	Without
Mating Retention Type	Locking Latch
Connector Mounting Type	Cable Mount (Free-Hanging)

Housing Features

Centerline (Pitch)	7.8 mm [.307 in]
Housing Color	Black
Housing Material	PBT GF

Dimensions

Connector Height	25 mm [.98 in]
Product Length	15.7 mm [.61 in]
Wire Size	10 CMA
Row-to-Row Spacing	7.8 mm [.307 in]

Usage Conditions

Operating Temperature Range	-40 – 125 °C [-40 – 257 °F]
-----------------------------	-----------------------------

Operation/Application

Circuit Application	Power
---------------------	-------

Industry Standards

UL Flammability Rating	UL 94V-0
------------------------	----------



Glow Wire Rating

Standard Part - Not Glow Wire

Packaging Features

Packaging Quantity

130

Packaging Method

Tray

Product Compliance

[For compliance documentation, visit the product page on TE.com>](#)

EU RoHS Directive 2011/65/EU

Compliant

EU ELV Directive 2000/53/EC

Compliant

China RoHS 2 Directive MIIT Order No 32, 2016

No Restricted Materials Above Threshold

EU REACH Regulation (EC) No. 1907/2006

Current ECHA Candidate List: JUNE 2023 (235)
 Candidate List Declared Against: JUNE 2023 (235)
 Does not contain REACH SVHC

Halogen Content

Not Low Halogen - contains Br or Cl > 900 ppm.

Solder Process Capability

Not applicable for solder process capability

Product Compliance Disclaimer

This information is provided based on reasonable inquiry of our suppliers and represents our current actual knowledge based on the information they provided. This information is subject to change. The part numbers that TE has identified as EU RoHS compliant have a maximum concentration of 0.1% by weight in homogenous materials for lead, hexavalent chromium, mercury, PBB, PBDE, DBP, BBP, DEHP, DIBP, and 0.01% for cadmium, or qualify for an exemption to these limits as defined in the Annexes of Directive 2011/65/EU (RoHS2). Finished electrical and electronic equipment products will be CE marked as required by Directive 2011/65/EU. Components may not be CE marked. Additionally, the part numbers that TE has identified as EU ELV compliant have a maximum concentration of 0.1% by weight in homogenous materials for lead, hexavalent chromium, and mercury, and 0.01% for cadmium, or qualify for an exemption to these limits as defined in the Annexes of Directive 2000/53/EC (ELV). Regarding the REACH Regulation, the information TE provides on SVHC in articles for this part number is based on the latest European Chemicals Agency (ECHA) 'Guidance on requirements for substances in articles' posted at this URL: <https://echa.europa.eu/guidance-documents/guidance-on-reach>

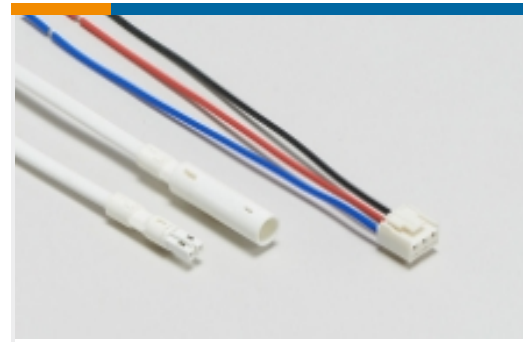
Compatible Parts



Also in the Series | ELCON Mini



Insertion & Extraction Tools(1)



Power Cable Assemblies(6)



Rectangular Power Connectors(32)

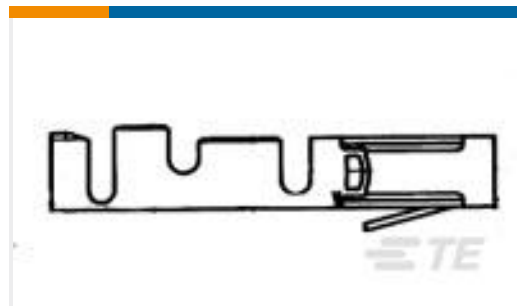
Customers Also Bought



TE Part #2042274-2
ELCON MINI 2P VERT HEADER, W/O CODING



TE Part #1982299-4
ELCON MINI 2P CABLE CONN, W/O CODING



TE Part #181270-1
AMP-MODU CONTACT



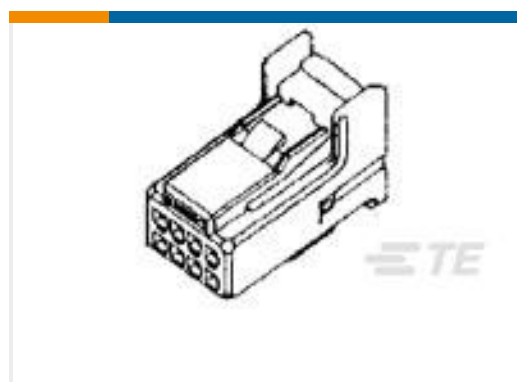
TE Part #1982295-2
ELCON MINI 2P RA HEADER, W/O CODING



TE Part #1982299-6
ELCON MINI 2P CABLE CONN, W/O, FLUSHED



TE Part #DT06-2S-C017
PLG, 2P, GRY, BLOCKED



TE Part #1376352-1
025 I/O PLUG HSG ASSY 8P



TE Part #927824-2
SPT REC 6.3 Contact SRC Sn



TE Part #1-1414995-0
V23230D2001B200



TE Part #2-1924067-0
2POS, MCON 1.2 CB REC 2p TL SEALED

Documents

Product Drawings

[ELCON MINI 2P CABLE CONN, 6MM2, W/O CODING](#)

English

CAD Files

[3D PDF](#)

[3D](#)



Customer View Model

[ENG_CVM_CVM_2178186-4_B.2d_dxf.zip](#)

English

Customer View Model

[ENG_CVM_CVM_2178186-4_B.3d_igs.zip](#)

English

Customer View Model

[ENG_CVM_CVM_2178186-4_B.3d_stp.zip](#)

English

By downloading the CAD file I accept and agree to the [Terms and Conditions](#) of use.

Product Specifications

[Application Specification](#)

English