



Passive Components > Resistors > Surface Mount Resistors



Resistor Type: **Power Resistor**

Number of Terminations: **2**

Package Size Code: **2512**

Packaging Method: **Folder**

Passive Component Tolerance: **1 %**

Features

Product Type Features

Product Type	Accessory
Resistor Type	Power Resistor
Package Size Code	2512
Passive Component Accessory Type	SMD Thick Film Resistor Kit
Element Type	Thick Film

Electrical Characteristics

Voltage Rating	250 V
Passive Component Tolerance	1 %
Power Rating	3 W

Termination Features

Number of Terminations	2
Surface Mount Resistor Termination Type	Solder

Dimensions

Passive Component Dimensions	6.35 x 3.2 x 1.1 mm
------------------------------	---------------------

Packaging Features

Packaging Method	Folder
------------------	--------

Product Compliance



[For compliance documentation, visit the product page on TE.com>](#)

EU RoHS Directive 2011/65/EU	Compliant with Exemptions
EU ELV Directive 2000/53/EC	Compliant with Exemptions
China RoHS 2 Directive MIIT Order No 32, 2016	Restricted Materials Above Threshold
EU REACH Regulation (EC) No. 1907/2006	Current ECHA Candidate List: JUNE 2023 (235) Candidate List Declared Against: JUNE 2023 (235) Does not contain REACH SVHC
Halogen Content	Not Low Halogen - contains Br or Cl > 900 ppm.
Solder Process Capability	Reflow solder capable to 260°C

Product Compliance Disclaimer

This information is provided based on reasonable inquiry of our suppliers and represents our current actual knowledge based on the information they provided. This information is subject to change. The part numbers that TE has identified as EU RoHS compliant have a maximum concentration of 0.1% by weight in homogenous materials for lead, hexavalent chromium, mercury, PBB, PBDE, DBP, BBP, DEHP, DIBP, and 0.01% for cadmium, or qualify for an exemption to these limits as defined in the Annexes of Directive 2011/65/EU (RoHS2). Finished electrical and electronic equipment products will be CE marked as required by Directive 2011/65/EU. Components may not be CE marked. Additionally, the part numbers that TE has identified as EU ELV compliant have a maximum concentration of 0.1% by weight in homogenous materials for lead, hexavalent chromium, and mercury, and 0.01% for cadmium, or qualify for an exemption to these limits as defined in the Annexes of Directive 2000/53/EC (ELV). Regarding the REACH Regulation, the information TE provides on SVHC in articles for this part number is based on the latest European Chemicals Agency (ECHA) 'Guidance on requirements for substances in articles' posted at this URL: <https://echa.europa.eu/guidance-documents/guidance-on-reach>

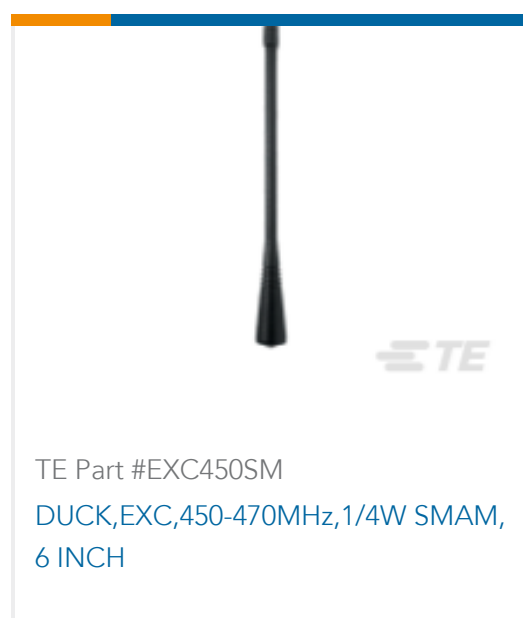
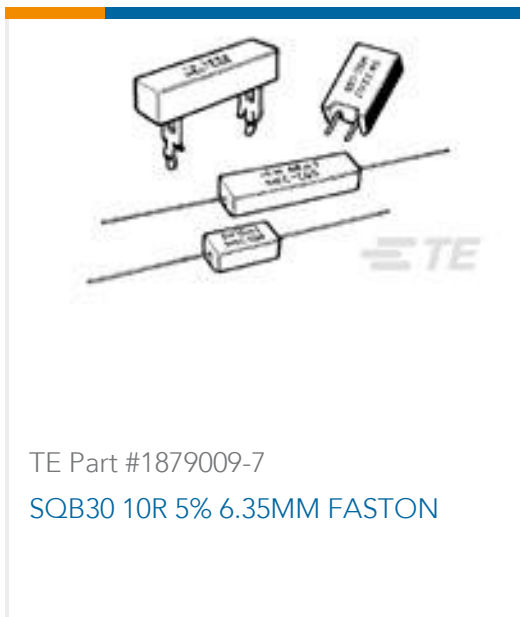
Compatible Parts

 <p>TE Part # 2176439-6 3521 2W 1% 1R0-1M0 LAB-KIT</p>	 <p>TE Part # 2176439-8 3522 3W 5% ZR, 1R0 - 1M0 LAB-KIT</p>
---	--

Also in the Series | [CGS 3522](#)



Customers Also Bought



Documents

Product Drawings

[3522 3W 1% ZR, 1R0 - 1M0 LAB-KIT](#)

English

[3522 3W 1% ZR, 1R0 - 1M0 LAB-KIT](#)

English

Datasheets & Catalog Pages

[SMD POWER RESISTORS - TYPE 3522 SERIES](#)

English

