



Passive Components > Resistors > Surface Mount Resistors > SMD Power Resistor: 3 Watt, 1% Tol



Resistor Type: **Power Resistor**

Number of Terminations: **2**

Package Size Code: **2512**

Packaging Method: **Taped & Reeled**

Passive Component Tolerance: **1 %**

[All SMD Power Resistor: 3 Watt, 1% Tol \(140\)](#)

## Features

### Product Type Features

Product Type	Fixed Resistor
Resistor Type	Power Resistor
Package Size Code	2512
Element Type	Thick Film

### Configuration Features

Number of Resistors	1
---------------------	---

### Electrical Characteristics

Passive Component Tolerance	1 %
Resistance Class	Up to 1kΩ
Resistance Value	15 Ω
Power Rating	3 W

### Termination Features

Number of Terminations	2
Surface Mount Resistor Termination Type	Solder

### Dimensions

Passive Component Dimensions	6.35 x 3.2 x .55 mm
------------------------------	---------------------

### Usage Conditions



Temperature Coefficient	±100 ppm/°C
-------------------------	-------------

**Packaging Features**

Packaging Method	Taped & Reeled
------------------	----------------

**Product Compliance**

For compliance documentation, visit the product page on TE.com>

EU RoHS Directive 2011/65/EU	Compliant with Exemptions
EU ELV Directive 2000/53/EC	Compliant with Exemptions
China RoHS 2 Directive MIIT Order No 32, 2016	Restricted Materials Above Threshold
EU REACH Regulation (EC) No. 1907/2006	Current ECHA Candidate List: JUNE 2023 (235) Candidate List Declared Against: JUNE 2023 (235) Does not contain REACH SVHC
Halogen Content	Low Halogen - Br, Cl, F, I < 900 ppm per homogenous material. Also BFR/CFR/PVC Free
Solder Process Capability	Reflow solder capable to 260°C

Product Compliance Disclaimer

This information is provided based on reasonable inquiry of our suppliers and represents our current actual knowledge based on the information they provided. This information is subject to change. The part numbers that TE has identified as EU RoHS compliant have a maximum concentration of 0.1% by weight in homogenous materials for lead, hexavalent chromium, mercury, PBB, PBDE, DBP, BBP, DEHP, DIBP, and 0.01% for cadmium, or qualify for an exemption to these limits as defined in the Annexes of Directive 2011/65/EU (RoHS2). Finished electrical and electronic equipment products will be CE marked as required by Directive 2011/65/EU. Components may not be CE marked. Additionally, the part numbers that TE has identified as EU ELV compliant have a maximum concentration of 0.1% by weight in homogenous materials for lead, hexavalent chromium, and mercury, and 0.01% for cadmium, or qualify for an exemption to these limits as defined in the Annexes of Directive 2000/53/EC (ELV). Regarding the REACH Regulation, the information TE provides on SVHC in articles for this part number is based on the latest European Chemicals Agency (ECHA) 'Guidance on requirements for substances in articles' posted at this URL: <https://echa.europa.eu/guidance-documents/guidance-on-reach>

**Compatible Parts**

TE Part # CAT-C339-A76B  
SMD Power Resistor: 3 Watt, 1% Tol

TE Part # CAT-C339-A76C  
SMD Power Resistor: 3 Watt, 5% Tol

TE Part # 6-2176230-2  
3522 100K 5% 3W

TE Part # 5-2176230-0  
3522 10K 5% 3W



TE Part # 5-2176230-1  
3522 12K 5% 3W

TE Part # 6-2176230-5  
3522 180K 5% 3W

TE Part # 5-2176230-3  
3522 18K 5% 3W

TE Part # 3-2176230-8  
3522 1K0 5% 3W

TE Part # 4-2176230-1  
3522 1K8 5% 3W

TE Part # 7-2176230-4  
3522 1M0 5% 3W

TE Part # 7-2176230-5  
3522 1M2 5% 3W

TE Part # 6-2176230-6  
3522 220K 5% 3W

TE Part # 3-2176230-0  
3522 220R 5% 3W

TE Part # 5-2176230-4  
3522 22K 5% 3W

TE Part # 4-2176230-2  
3522 2K2 5% 3W

TE Part # 7-2176230-8  
3522 2M2 5% 3W

TE Part # 5-2176230-7  
3522 39K 5% 3W

TE Part # 4-2176230-5  
3522 3K9 5% 3W

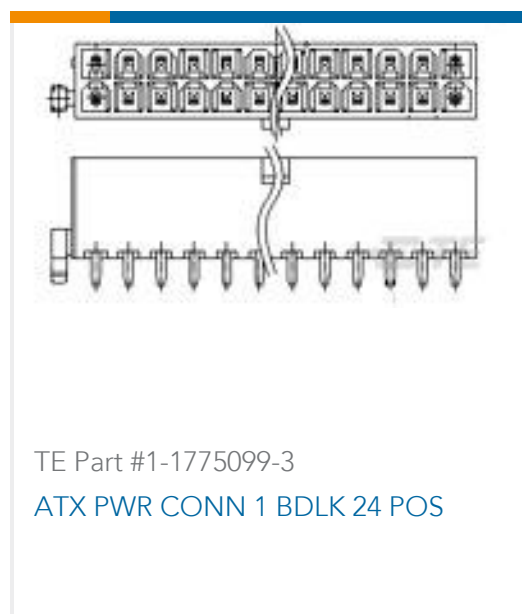
TE Part # 8-2176230-0  
3522 3M3 5% 3W

TE Part # 8-2176230-2  
3522 4M7 5% 3W

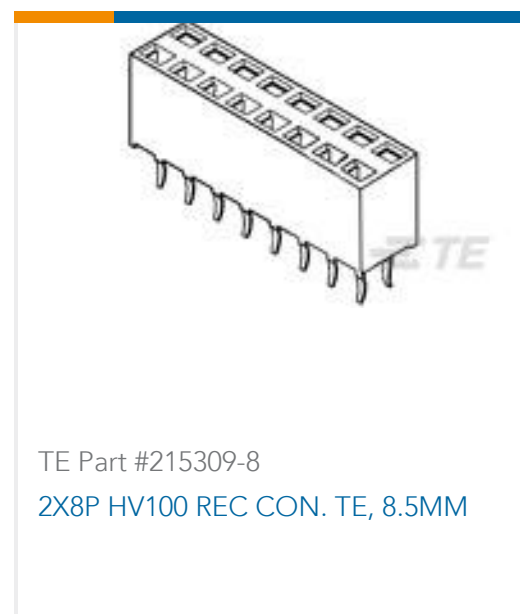
### Also in the Series | CGS 3522

Surface Mount Resistors(211)

### Customers Also Bought



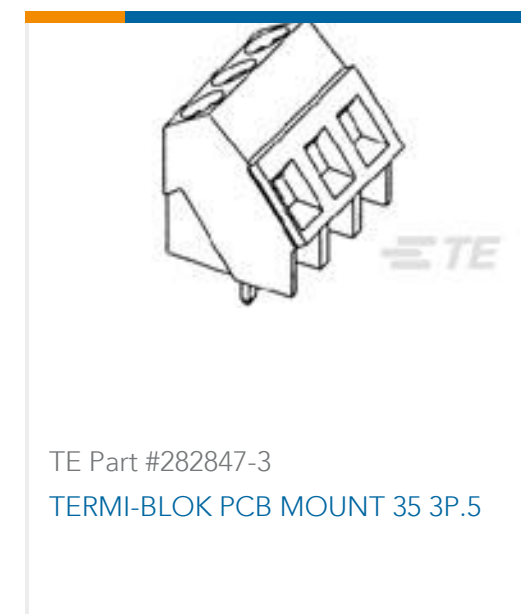
TE Part #1-1775099-3  
ATX PWR CONN 1 BDLK 24 POS



TE Part #215309-8  
2X8P HV100 REC CON. TE, 8.5MM



TE Part #3-794682-4  
04P MICRO MNL ASSY,VRT,THRU,LF



TE Part #282847-3  
TERMI-BLOK PCB MOUNT 35 3P.5



TE Part #3-794679-4  
04P MICRO MNL ASSY,R/A,THRU,LF



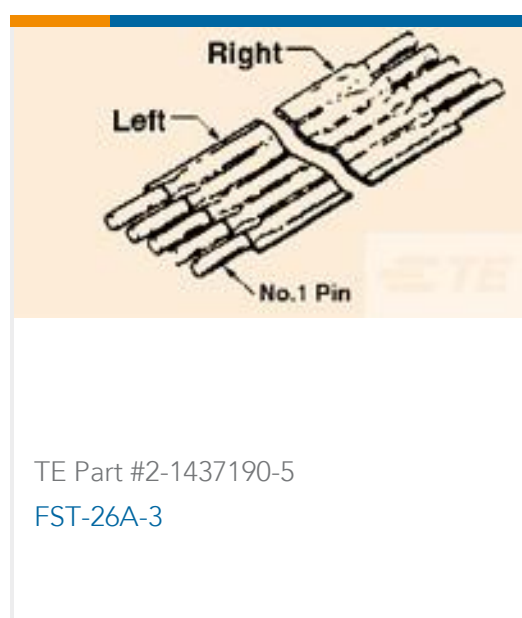
TE Part #3-2176346-8  
CRGCQ 1210 1M5 5%



TE Part #2-2176346-3  
CRGCQ 1210 4K7 5%



TE Part #3-2176325-7  
CRGP 0402 10K 1%



TE Part #2-1437190-5  
FST-26A-3

## Documents

### Product Drawings

[3522 15R 1% 3W](#)

English

### CAD Files

[3D PDF](#)

3D

Customer View Model

[ENG\\_CVM\\_CVM\\_2176231-5\\_BA.2d\\_dxf.zip](#)

English

Customer View Model

[ENG\\_CVM\\_CVM\\_2176231-5\\_BA.3d\\_igs.zip](#)

English

Customer View Model

[ENG\\_CVM\\_CVM\\_2176231-5\\_BA.3d\\_stp.zip](#)

English

By downloading the CAD file I accept and agree to the [Terms and Conditions](#) of use.

### Datasheets & Catalog Pages

352215RFT

15  $\Omega$ , Thick Film, Power Resistor, 1 %, 2 Termination, 2512, Taped & Reeled, 3 W,  
 $\pm 100$  ppm/ $^{\circ}\text{C}$ , Solder, 6.35 x 3.2 x .55 mm, CGS 3522



## SMD POWER RESISTORS - TYPE 3522 SERIES

English