

2174507-2 ✓ ACTIVE

TE Internal #: 2174507-2

USB Connectors, B, 2.0, Micro Profile, Receptacle, 1 Port, Top, Right Angle, Tape & Reel, Offset, Surface Mount, Cable-to-Board, 10000, 5 Position

[View on TE.com >](#)



Connectors > Audio & Video Connectors > USB Connectors



USB Adapter Type: **B**

USB Version: **2.0**

Connector Profile: **Micro**

Connector & Housing Type: **Receptacle**

Number of Ports: **1**

Features

Product Type Features

| | |
|-----------------------------------|-----------------------|
| Integral Locking Latch | Without |
| USB Adapter Type | B |
| USB Version | 2.0 |
| Connector & Housing Type | Receptacle |
| Connector System | Cable-to-Board |
| Connector & Contact Terminates To | Printed Circuit Board |
| USB Connector Type | Micro USB 2.0 Type-B |

Configuration Features

| | |
|---------------------|---|
| Number of Ports | 1 |
| Number of Positions | 5 |

Body Features

| | |
|------------------------|--------------------------|
| Offset | 0 mm |
| Shell Plating Finish | Bright |
| Shell Plating Material | Reflowed Tin over Nickel |



| | |
|-------------------|-------|
| Connector Profile | Micro |
|-------------------|-------|

Contact Features

| | |
|--|---|
| Contact Mating Area Plating Material Thickness | .76 μm [29.52 μin] |
| Contact Mating Area Plating Material | Gold |
| Contact Current Rating (Max) | 1.8 A |

Termination Features

| | |
|---|----------------|
| Termination Post & Tail Length | .75 mm[.03 in] |
| Termination Method to Printed Circuit Board | Surface Mount |

Mechanical Attachment

| | |
|--------------------------|---------------|
| Locking Feature | Without |
| PCB Mount Location | Top |
| PCB Connector Seating | Offset |
| PCB Mount Retention Type | SMT Hold-Down |
| Connector Mounting Type | Board Mount |

Housing Features

| | |
|--------------------|-----------------|
| Housing Material | Thermoplastic |
| Housing Color | Black |
| Body Orientation | Right Angle |
| Centerline (Pitch) | .65 mm[.025 in] |

Dimensions

| | |
|-----------------------------|----------------------------|
| PCB Thickness (Recommended) | .8 – 1. mm[.031 – .039 in] |
|-----------------------------|----------------------------|

Usage Conditions

| | |
|-----------------------------|---|
| Soldering Temperature (Max) | 260 $^{\circ}\text{C}$ [500 $^{\circ}\text{F}$] |
| Mating Cycles (Max) | 10000 |
| Operating Temperature Range | -30 – 85 $^{\circ}\text{C}$ [-22 – 185 $^{\circ}\text{F}$] |

Operation/Application

| | |
|--------------------------|------------------------------|
| Halogen Free | No |
| Assembly Process Feature | Without Pick and Place Cover |
| Circuit Application | Power & Signal |

Industry Standards

| | |
|----------------------------|---------|
| Moisture Sensitivity Level | 1 |
| Industry Standard | USB 2.0 |



| | |
|------------------------|----------|
| UL Flammability Rating | UL 94V-0 |
|------------------------|----------|

Packaging Features

| | |
|--------------------|-------------|
| Packaging Quantity | 1000 |
| Packaging Method | Tape & Reel |

Other

| | |
|---------------------------------|------------------|
| Audio & Video Connector Comment | Flange cut type. |
|---------------------------------|------------------|

Product Compliance

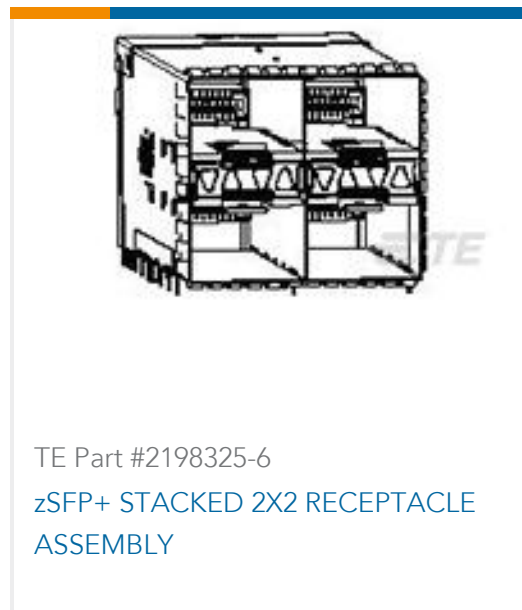
[For compliance documentation, visit the product page on TE.com>](#)

| | |
|---|---|
| EU RoHS Directive 2011/65/EU | Compliant |
| EU ELV Directive 2000/53/EC | Compliant |
| China RoHS 2 Directive MIIT Order No 32, 2016 | No Restricted Materials Above Threshold |
| EU REACH Regulation (EC) No. 1907/2006 | Current ECHA Candidate List: JUNE 2023 (235) Candidate List Declared Against: JUNE 2023 (235) Does not contain REACH SVHC |
| Halogen Content | Low Halogen - Br, Cl, F, I < 900 ppm per homogenous material. Also BFR/CFR/PVC Free |
| Solder Process Capability | Reflow solder capable to 260°C |

Product Compliance Disclaimer

This information is provided based on reasonable inquiry of our suppliers and represents our current actual knowledge based on the information they provided. This information is subject to change. The part numbers that TE has identified as EU RoHS compliant have a maximum concentration of 0.1% by weight in homogenous materials for lead, hexavalent chromium, mercury, PBB, PBDE, DBP, BBP, DEHP, DIBP, and 0.01% for cadmium, or qualify for an exemption to these limits as defined in the Annexes of Directive 2011/65/EU (RoHS2). Finished electrical and electronic equipment products will be CE marked as required by Directive 2011/65/EU. Components may not be CE marked. Additionally, the part numbers that TE has identified as EU ELV compliant have a maximum concentration of 0.1% by weight in homogenous materials for lead, hexavalent chromium, and mercury, and 0.01% for cadmium, or qualify for an exemption to these limits as defined in the Annexes of Directive 2000/53/EC (ELV). Regarding the REACH Regulation, the information TE provides on SVHC in articles for this part number is based on the latest European Chemicals Agency (ECHA) 'Guidance on requirements for substances in articles' posted at this URL: <https://echa.europa.eu/guidance-documents/guidance-on-reach>

Customers Also Bought



TE Part #2198325-6
zSFP+ STACKED 2X2 RECEPTACLE
ASSEMBLY



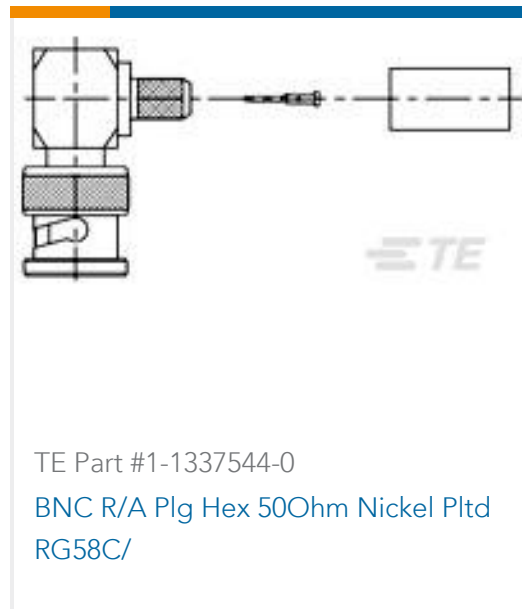
TE Part #1-1825006-3
GDS0804=DIP SW,SLIDE,THRU/HL



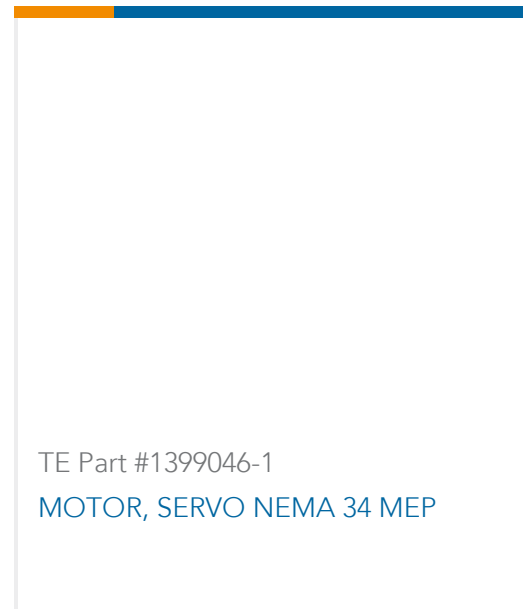
TE Part #4-2176306-6
RP 1E 0.1W 3K4 0.1% 25PPM 5K RL



TE Part #2127933-6
C/A, SFP+, GENERIC, 5.0M



TE Part #1-1337544-0
BNC R/A Plg Hex 50Ohm Nickel Pltd
RG58C/



TE Part #1399046-1
MOTOR, SERVO NEMA 34 MEP



TE Part #2-1102647-5
HIP-K.10/24.AG



TE Part #4-1106201-5
HIPK/EMVK.6/16.SKB



TE Part #2-1102606-5
HIP-K.6/16.AG.M6

Documents

Product Drawings

MICRO USB, TYPE B

English

CAD Files

Customer View Model

[ENG_CVM_CVM_2174507-2_B.2d_dxf.zip](#)

English

3D PDF

3D

Customer View Model

[ENG_CVM_CVM_2174507-2_B.3d_igs.zip](#)

English

Customer View Model

[ENG_CVM_CVM_2174507-2_B.3d_stp.zip](#)

English

By downloading the CAD file I accept and agree to the [Terms and Conditions](#) of use.

Datasheets & Catalog Pages



[5-1773464-3_Quick_Reference_Guide_Micro_USB_Connectors](#)

English

Product Specifications

[Application Specification](#)

English

Product Environmental Compliance

[MD_2174507-2_08042017232_dmtec](#)

English

[MD_2174507-2_08042017232_dmtec](#)

English

Instruction Sheets

[Instruction Sheet \(non U.S.\)](#)

Japanese