

2170903-1 ✓ ACTIVE

Z-PACK | Z-PACK HM-eZd+

TE Internal #: 2170903-1

High Speed Backplane Connectors, 80 Position, Mating Alignment, Polarization Mating Alignment Type, 8 Row, 10 Column, Z-PACK HM-eZd+

[View on TE.com >](#)



[Connectors](#) > [PCB Connectors](#) > [Backplane Connectors](#) > [High Speed Backplane Connectors](#)



Connector System: **Board-to-Board**

Number of Positions: **80**

Row-to-Row Spacing: **4.5 mm [ .177 in ]**

Mating Alignment: **With**

Mating Alignment Type: **Polarization**

## Features

### Product Type Features

|                                   |                       |
|-----------------------------------|-----------------------|
| Signal Arrangement                | Differential          |
| Connector System                  | Board-to-Board        |
| PCB Connector Assembly Type       | PCB Mount Receptacle  |
| Shroud Style                      | Unshrouded            |
| Connector & Contact Terminates To | Printed Circuit Board |

### Configuration Features

|                       |             |
|-----------------------|-------------|
| Pairs per Column      | 4           |
| Card Slot Centerline  | 25.4 mm     |
| Number of Pairs       | 40          |
| Number of Positions   | 80          |
| Number of Rows        | 8           |
| Number of Columns     | 10          |
| PCB Mount Orientation | Right Angle |

### Electrical Characteristics

|                   |        |
|-------------------|--------|
| Operating Voltage | 42 VAC |
|-------------------|--------|

### Body Features

|                       |       |
|-----------------------|-------|
| Primary Product Color | Black |
|-----------------------|-------|



### Contact Features

|   |   |
|---|---|
| PCB Contact Termination Area Plating Material Thickness | .5 – 2.5 $\mu\text{m}$ [20 – 100 $\mu\text{in}$ ] |
| Contact Type  | Socket  |
| Contact Mating Area Plating Material Thickness          | .76 $\mu\text{m}$ [30 $\mu\text{in}$ ]            |
| Contact Mating Area Plating Material                    | Gold  |
| PCB Contact Termination Area Plating Material Finish    | Matte   |
| Contact Shape & Form                                    | Dual Beam   |
| PCB Contact Termination Area Plating Material           | Tin   |
| Contact Base Material                                   | Phosphor Bronze                                   |
| Contact Current Rating (Max)                            | .5 A  |

### Termination Features

|   |                          |
|---|--------------------------|
| Termination Post & Tail Length              | 1.7 mm                   |
| Termination Method to Printed Circuit Board | Through Hole - Press-Fit |

### Mechanical Attachment

|                         |              |
|-------------------------|--------------|
| Mating Alignment        | With         |
| Mating Alignment Type   | Polarization |
| Connector Mounting Type | Board Mount  |

### Housing Features

|                          |                              |
|--------------------------|------------------------------|
| Number of Shrouded Sides | 0                            |
| Housing Material         | LCP (Liquid Crystal Polymer) |
| Centerline (Pitch)       | 2.5 mm[.098 in]              |

### Dimensions

|                    |                 |
|--------------------|-----------------|
| PCB Hole Diameter  | .46 mm          |
| Row-to-Row Spacing | 4.5 mm[.177 in] |

### Usage Conditions

|                             |   |
|-----------------------------|---|
| Operating Temperature Range | -55 – 85 $^{\circ}\text{C}$ [-67 – 185 $^{\circ}\text{F}$ ] |
|-----------------------------|---|

### Operation/Application

|                     |            |
|---------------------|------------|
| Durability Rating   | 200 Cycles |
| Circuit Application | Signal     |

### Industry Standards

|                        |          |
|------------------------|----------|
| UL Flammability Rating | UL 94V-0 |
|------------------------|----------|

### Packaging Features



|                  |            |
|------------------|------------|
| Packaging Method | Box & Tube |
|------------------|------------|

### Product Compliance

[For compliance documentation, visit the product page on TE.com>](#)

|   |   |
|---|---|
| EU RoHS Directive 2011/65/EU                  | Compliant   |
| EU ELV Directive 2000/53/EC                   | Compliant   |
| China RoHS 2 Directive MIIT Order No 32, 2016 | No Restricted Materials Above Threshold   |
| EU REACH Regulation (EC) No. 1907/2006        | Current ECHA Candidate List: JUNE 2023 (235)<br>Candidate List Declared Against: JUNE 2023 (235)<br>Does not contain REACH SVHC |
| Halogen Content                               | Low Halogen - Br, Cl, F, I < 900 ppm per homogenous material. Also BFR/CFR/PVC Free   |
| Solder Process Capability                     | Not applicable for solder process capability  |

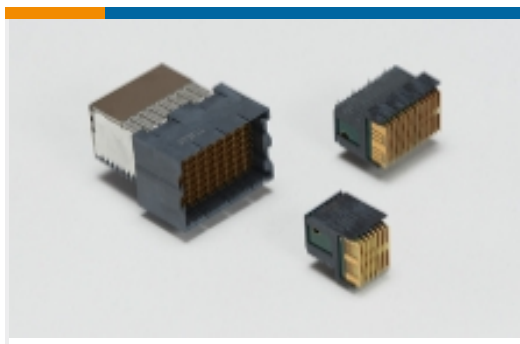
#### Product Compliance Disclaimer

This information is provided based on reasonable inquiry of our suppliers and represents our current actual knowledge based on the information they provided. This information is subject to change. The part numbers that TE has identified as EU RoHS compliant have a maximum concentration of 0.1% by weight in homogenous materials for lead, hexavalent chromium, mercury, PBB, PBDE, DBP, BBP, DEHP, DIBP, and 0.01% for cadmium, or qualify for an exemption to these limits as defined in the Annexes of Directive 2011/65/EU (RoHS2). Finished electrical and electronic equipment products will be CE marked as required by Directive 2011/65/EU. Components may not be CE marked. Additionally, the part numbers that TE has identified as EU ELV compliant have a maximum concentration of 0.1% by weight in homogenous materials for lead, hexavalent chromium, and mercury, and 0.01% for cadmium, or qualify for an exemption to these limits as defined in the Annexes of Directive 2000/53/EC (ELV). Regarding the REACH Regulation, the information TE provides on SVHC in articles for this part number is based on the latest European Chemicals Agency (ECHA) 'Guidance on requirements for substances in articles' posted at this URL: <https://echa.europa.eu/guidance-documents/guidance-on-reach>

### Compatible Parts



Also in the Series | [Z-PACK HM-eZd+](#)



High Speed Backplane Connectors(4)

## Customers Also Bought



TE Part #5100141-1  
2MM H.M. TYPE "B" PIN ASSY.



TE Part #5100145-1  
Z-PACK/B25 RAF 125P



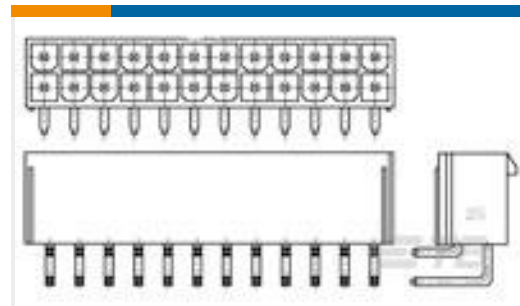
TE Part #6469001-1  
HM-ZD 4PR RECP 80P



TE Part #2057629-1  
CFP Module Conn Assy



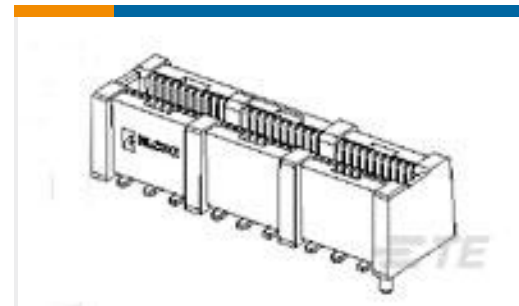
TE Part #6469028-1  
HM-ZD 2PR RECP 40P



TE Part #1-1586041-4  
14P VAL-U-LOK R/A HDR V2



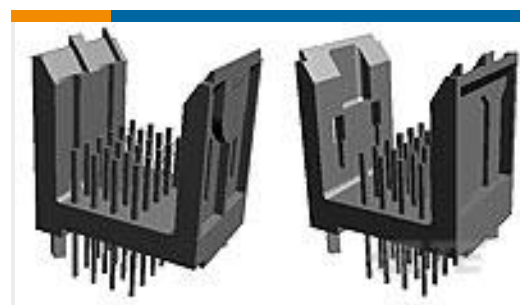
TE Part #2274842-1  
HARDWARE KIT, CFP2, 1X1



TE Part #6651712-1  
284-0162-03003=TA CONN,SKT



TE Part #2-2324171-6  
CAGE ASSEMBLY, QSFP-DD 1X1,  
SPRING



TE Part #5536501-3  
2MM FB,ASY,96,SIG,HDR,SL,4.25

## Documents

### Product Drawings

[RECEPTACLE HM-EZD+, 4PAIRS 10COLUMNS](#)

English

### CAD Files

[3D PDF](#)

[3D](#)

[Customer View Model](#)

[ENG\\_CVM\\_CVM\\_2170903-1\\_A.2d\\_dxf.zip](#)



English

Customer View Model

[ENG\\_CVM\\_CVM\\_2170903-1\\_A.3d\\_igs.zip](#)

English

Customer View Model

[ENG\\_CVM\\_CVM\\_2170903-1\\_A.3d\\_stp.zip](#)

English

By downloading the CAD file I accept and agree to the [Terms and Conditions](#) of use.

**Product Specifications**

[Application Specification](#)

English