

2159562-1 ✓ ACTIVE

AMPOWER

TE Internal #: 2159562-1

MULTI BEAM XLE Pigtail Cable Assembly, Black / Red Cable,
Double Ended, MULTI BEAM XLE Plug, Black End B, 8 AWG, -25 –
125 °C [-13 – 257 °F]

[View on TE.com >](#)



Cable Assemblies > Copper Cable Assemblies > Power Cable Assemblies



Cable Assembly Configuration: **Double Ended**

Cable Color: **Black, Red**

Operating Temperature Range: **-25 – 125 °C [-13 – 257 °F]**

Cable Assembly Type: **MULTI BEAM XLE Pigtail**

Connector Type (End A): **MULTI BEAM XLE Plug**

Features

Product Type Features

Cable Assembly Category	Power
Cable Assembly Type	MULTI BEAM XLE Pigtail
Connector Type (End A)	MULTI BEAM XLE Plug

Body Features

Cable Color	Black, Red
Connector Color (End B)	Black

Contact Features

Contact Base Material	Phosphor Bronze
-----------------------	-----------------

Mechanical Attachment

Strain Relief	With
Mating Alignment Type	Keyed

Dimensions

Wire Size	8 AWG
-----------	-------

Usage Conditions

Operating Temperature Range	-25 – 125 °C[-13 – 257 °F]
-----------------------------	----------------------------

Other

Cable Assembly Configuration	Double Ended
------------------------------	--------------



Product Compliance

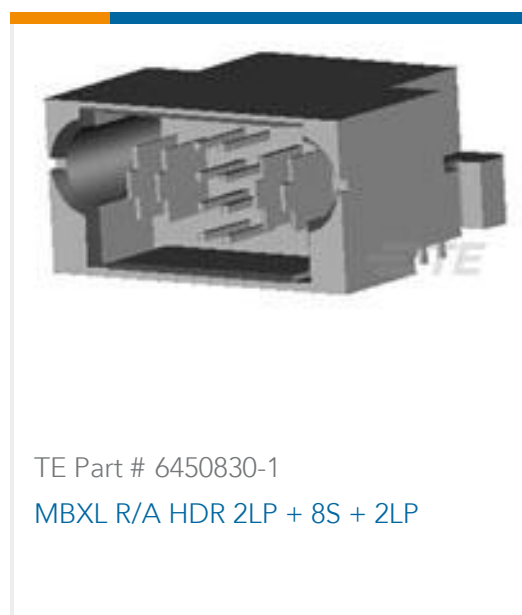
[For compliance documentation, visit the product page on TE.com>](#)

EU RoHS Directive 2011/65/EU	Compliant
EU ELV Directive 2000/53/EC	Compliant
China RoHS 2 Directive MIIT Order No 32, 2016	No Restricted Materials Above Threshold
EU REACH Regulation (EC) No. 1907/2006	Current ECHA Candidate List: JUNE 2023 (235) Candidate List Declared Against: JAN 2021 (211) Does not contain REACH SVHC
Halogen Content	Not Low Halogen - contains Br or Cl > 900 ppm.
Solder Process Capability	Not applicable for solder process capability

Product Compliance Disclaimer

This information is provided based on reasonable inquiry of our suppliers and represents our current actual knowledge based on the information they provided. This information is subject to change. The part numbers that TE has identified as EU RoHS compliant have a maximum concentration of 0.1% by weight in homogenous materials for lead, hexavalent chromium, mercury, PBB, PBDE, DBP, BBP, DEHP, DIBP, and 0.01% for cadmium, or qualify for an exemption to these limits as defined in the Annexes of Directive 2011/65/EU (RoHS2). Finished electrical and electronic equipment products will be CE marked as required by Directive 2011/65/EU. Components may not be CE marked. Additionally, the part numbers that TE has identified as EU ELV compliant have a maximum concentration of 0.1% by weight in homogenous materials for lead, hexavalent chromium, and mercury, and 0.01% for cadmium, or qualify for an exemption to these limits as defined in the Annexes of Directive 2000/53/EC (ELV). Regarding the REACH Regulation, the information TE provides on SVHC in articles for this part number is based on the latest European Chemicals Agency (ECHA) 'Guidance on requirements for substances in articles' posted at this URL: <https://echa.europa.eu/guidance-documents/guidance-on-reach>

Compatible Parts



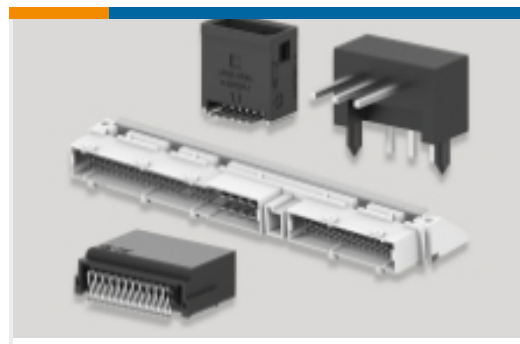
Also in the Series | **AMPOWER**



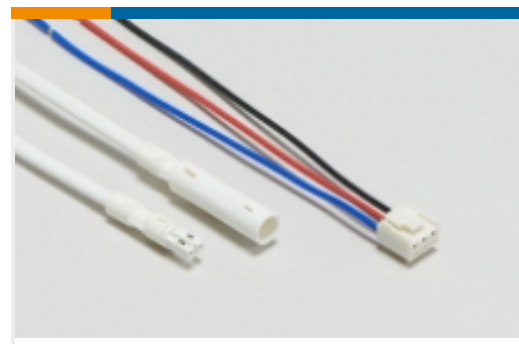
Busbar Connectors(13)



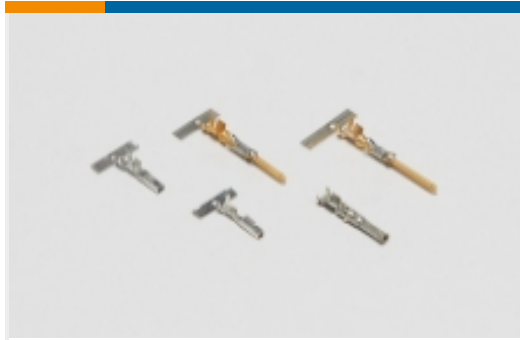
Knife Disconnects(13)



PCB Headers & Receptacles(2)



Power Cable Assemblies(7)



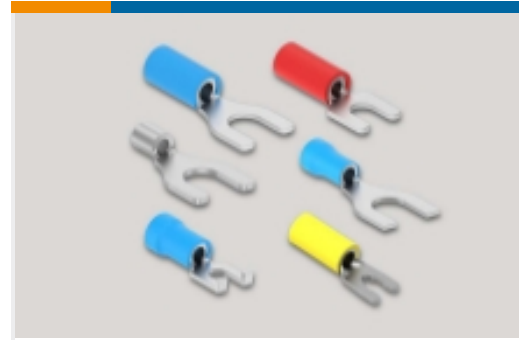
Power Contacts(1)



Quick Disconnects(1)



Rectangular Power Connectors(6)



Spade Terminals(137)



Splices(39)

Customers Also Bought



TE Part #8-6609107-1
PS0S0DSXB=C1265



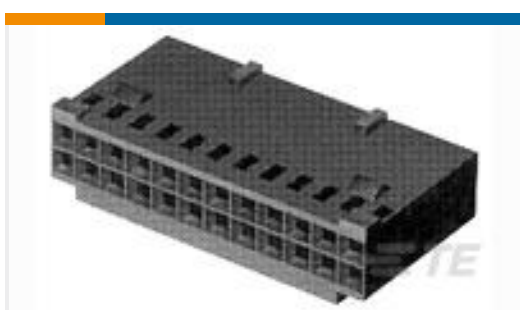
TE Part #281709-4
PLUG HE13 IDC 90 4 P AWG 24



TE Part #1-111623-9
14, 2MM, POL,30 DP, LEAD FREE



TE Part #66105-2
III+ SKT,24-20,TIN-LEAD,LP



TE Part #87631-5
10 MODIV HSG COMP DR .100 POL



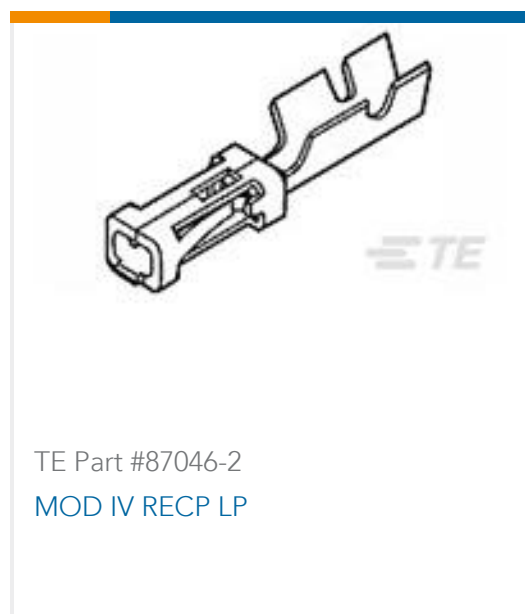
TE Part #1-1123722-7
3.96 EP PLUG HSG 7P(NATURAL)



TE Part #1375819-3
CST-100 II CONTACT 30 GOLD PLT



TE Part #3-826936-2
32P AMPMODU II STIFT LEI



Documents

CAD Files

[3D PDF](#)

[3D](#)

Customer View Model

[ENG_CVM_CVM_2159562-1_D.2d_dxf.zip](#)

English

Customer View Model

[ENG_CVM_CVM_2159562-1_D.3d_igs.zip](#)

English

Customer View Model

[ENG_CVM_CVM_2159562-1_D.3d_stp.zip](#)

English

By downloading the CAD file I accept and agree to the [Terms and Conditions](#) of use.

Datasheets & Catalog Pages

[OCP Power Cable Assemblies](#)

English

Product Specifications

[Application Specification](#)

English

Product Environmental Compliance

[TE Material Declaration](#)

English