

2154828-1 ✓ ACTIVE

NETpodium

TE Internal #: 2154828-1

Economy Power Pigtail Cable Assembly, 18 ft [18 m], .823 mm²,
Black, Red Cable, Single Ended, Economy Power Socket, PBT,
Natural End A, 18 AWG

[View on TE.com >](#)



Cable Assemblies > Copper Cable Assemblies > Power Cable Assemblies



Cable Assembly Configuration: **Single Ended**

Wire Size: **.823 mm²**

Cable Assembly Length: **18 m [18 ft]**

Cable Color: **Black, Red**

Operating Temperature Range: **-30 – 105 °C [-22 – 221 °F]**

Features

Product Type Features

Cable Assembly Category	Power
Cable Assembly Type	Economy Power Pigtail
Connector Type (End A)	Economy Power Socket

Configuration Features

Number of Positions	2
---------------------	---

Body Features

Cable Exit Angle	180°
Cable Color	Black, Red
Connector Color (End A)	Natural

Contact Features

Contact Mating Area Plating Material	Tin
Contact Base Material	Copper Alloy

Mechanical Attachment

Strain Relief	Without
Mating Alignment Type	Keyed

Housing Features

Housing Material	PBT
------------------	-----



Dimensions

Wire Size	18 AWG
-----------	--------

Usage Conditions

Operating Temperature Range	-30 – 105 °C[-22 – 221 °F]
-----------------------------	----------------------------

Industry Standards

UL Flammability Rating	UL 94V-0
------------------------	----------

Packaging Features

Packaging Method	Bag
------------------	-----

Other

Cable Assembly Configuration	Single Ended
Cable Assembly Length	18 m[18 ft]

Product Compliance

[For compliance documentation, visit the product page on TE.com>](#)

EU RoHS Directive 2011/65/EU	Compliant
EU ELV Directive 2000/53/EC	Compliant
China RoHS 2 Directive MIIT Order No 32, 2016	No Restricted Materials Above Threshold
EU REACH Regulation (EC) No. 1907/2006	Current ECHA Candidate List: JUNE 2023 (235) Candidate List Declared Against: JAN 2022 (223) Does not contain REACH SVHC
Halogen Content	Low Halogen - Br, Cl, F, I < 900 ppm per homogenous material. Also BFR/CFR/PVC Free
Solder Process Capability	Not applicable for solder process capability

Product Compliance Disclaimer

This information is provided based on reasonable inquiry of our suppliers and represents our current actual knowledge based on the information they provided. This information is subject to change. The part numbers that TE has identified as EU RoHS compliant have a maximum concentration of 0.1% by weight in homogenous materials for lead, hexavalent chromium, mercury, PBB, PBDE, DBP, BBP, DEHP, DIBP, and 0.01% for cadmium, or qualify for an exemption to these limits as defined in the Annexes of Directive 2011/65/EU (RoHS2). Finished electrical and electronic equipment products will be CE marked as required by Directive 2011/65/EU. Components may not be CE marked. Additionally, the part numbers that TE has identified as EU ELV compliant have a maximum concentration of 0.1% by weight in homogenous materials for lead, hexavalent chromium, and mercury, and 0.01% for cadmium, or qualify for an exemption to these limits as defined in the Annexes of Directive 2000/53/EC (ELV). Regarding the REACH Regulation, the information TE provides on SVHC in articles for this part number is based on the latest European Chemicals Agency (ECHA) 'Guidance on requirements for substances in articles' posted at this URL: <https://echa.europa.eu/guidance-documents/guidance-on-reach>

Compatible Parts

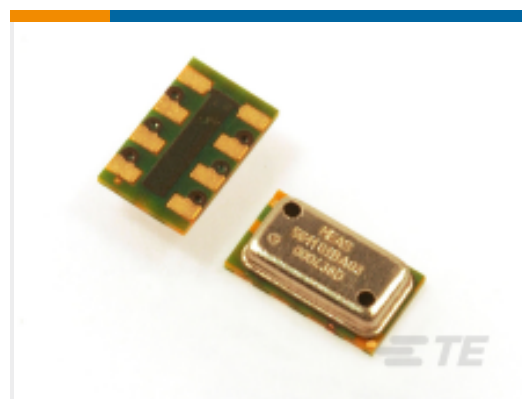


TE Part # 1744057-2
3.96 EP HDR ASSY 2P W/PEGS

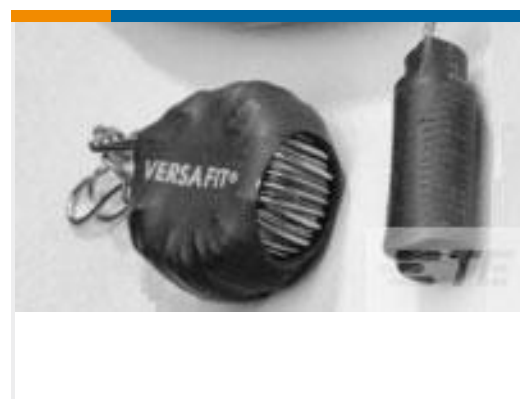


TE Part # 1877285-2
02P EP SHRD HDR ASMY, WHITE

Customers Also Bought



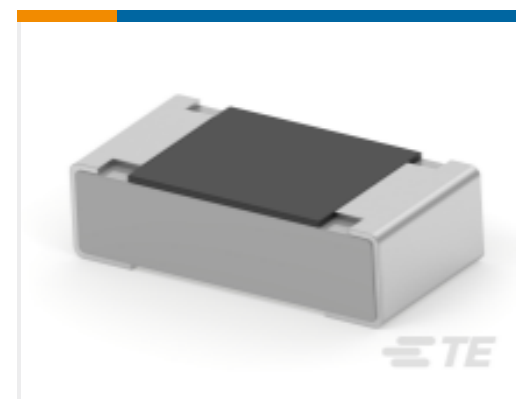
TE Part #MS560702BA03-50
MS5607-02BA SS CAP ALTIMETER T&R



TE Part #C17600-000
VERSAFIT-MINI-SPL-1/8-BK



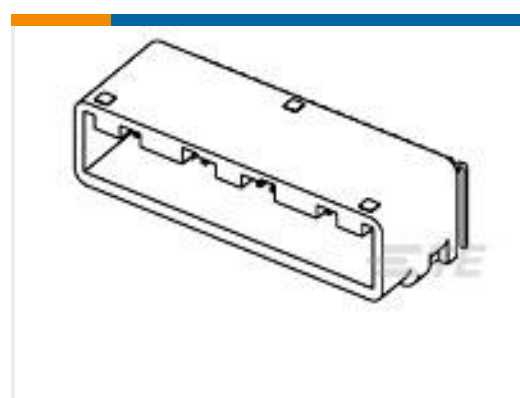
TE Part #1-2364703-4
AVH25 FLT SS LK R+P GRN 12V26A



TE Part #1-2176340-1
CRGCO 0603 47R 5%



TE Part #3-2176341-3
CRGCO 0805 4K7 1%



TE Part #1318745-9
025 32POS CAP ASSY H TIN



TE Part #3-2098269-1
10P Plug Assembly (2x5), Gener



TE Part #926539-6
250 FASTON HSG. REC. 1P NATURAL

Documents

Product Drawings

Cable Assembly EPII 2 Pos

English

CAD Files

Customer View Model

[ENG_CVM_CVM_2154828-1_A.3d_igs.zip](#)

English

Customer View Model

[ENG_CVM_CVM_2154828-1_A.3d_stp.zip](#)

English

Customer View Model

[ENG_CVM_CVM_2154828-1_A.2d_dxf.zip](#)

English

[3D PDF](#)



3D

By downloading the CAD file I accept and agree to the [Terms and Conditions](#) of use.

Datasheets & Catalog Pages

[Inverted Thru Board Interconnects](#)

[Inverted Thru Board Interconnects](#)

English

[5-17737700-9_HPInverted_brochure](#)

English

Agency Approvals

[UL Report](#)

English