

215083-8 ✓ ACTIVE

[Micro-MaTch](#) | [Micro-MaTch Industrial](#)

TE Internal #: 215083-8

Ribbon Cable Connectors, Cable-to-Board, 8 Position, 1.27 mm [.05 in] Centerline, Vertical, Through Hole - Solder, 2 Row, Plug, Micro-MaTch Industrial

[View on TE.com >](#)



[Connectors](#) > [PCB Connectors](#) > [Wire-to-Board Connectors](#) > [FFC, FPC & Ribbon Connectors](#) > [Ribbon Cable Connectors](#) >

[Male-on-Wire Connector, Micro-MaTch](#)



Connector System: **Cable-to-Board**

Number of Positions: **8**

Centerline (Pitch): **1.27 mm [.05 in]**

PCB Mount Retention: **Without**

PCB Mount Orientation: **Vertical**

[All Male-on-Wire Connector, Micro-MaTch \(19\)](#)

Features

Product Type Features

| | |
|------------------------------------|--------------------|
| Ribbon Cable Connector Type | Male-On-Wire |
| Ribbon Cable Connector Header Type | Shrouded |
| Connector Product Type | Connector Assembly |
| Connector System | Cable-to-Board |
| Connector & Housing Type | Plug |
| Connector & Contact Terminates To | Wire & Cable |

Configuration Features

| | |
|-----------------------|----------|
| Number of Positions | 8 |
| PCB Mount Orientation | Vertical |
| Number of Rows | 2 |

Electrical Characteristics

| | |
|-----------------------|-----------------|
| Insulation Resistance | 1000 M Ω |
| Operating Voltage | 100 VAC |

Body Features

| | |
|-----------------------|------|
| Daisy Chain | With |
| Primary Product Color | Red |



| | |
|-------------------|----------|
| Connector Profile | Standard |
|-------------------|----------|

Contact Features

| | |
|---|---|
| Mating Tab Width | .7 mm[.028 in] |
| Mating Tab Thickness | .4 mm[.016 in] |
| Contact Type | Pin |
| Wire Contact Termination Area Plating Thickness | 3 – 5 μm [118.11 – 196.85 μin] |
| Wire Contact Termination Area Plating Material Finish | Matte |
| Wire Contact Termination Area Plating Material | Tin |
| Contact Mating Area Plating Material Thickness | 3 – 5 μm [118.11 – 196.85 μin] |
| Contact Mating Area Plating Material | Tin |
| PCB Contact Termination Area Plating Material Finish | Matte |
| Contact Underplating Material | Nickel |
| PCB Contact Termination Area Plating Material | Tin |
| Contact Base Material | Phosphor Bronze |
| Contact Current Rating (Max) | 1.5 A |

Termination Features

| | |
|---|-------------------------------|
| Termination Method to Wire & Cable | Insulation Displacement (IDC) |
| Termination Method to Printed Circuit Board | Through Hole - Solder |

Mechanical Attachment

| | |
|---------------------------------------|----------------------------|
| Mating Alignment | With |
| Contact Retention Type Within Housing | Press-Fit |
| PCB Mount Alignment | Without |
| PCB Mount Retention | Without |
| Mating Alignment Type | Polarization |
| Mating Retention | With |
| Mating Retention Type | Contact Friction |
| Connector Mounting Type | Cable Mount (Free-Hanging) |

Housing Features

| | |
|--------------------|-----------------|
| Housing Material | PBT GF |
| Centerline (Pitch) | 1.27 mm[.05 in] |

Dimensions

| | |
|------------------|------------------|
| Connector Length | 13.6 mm[.535 in] |
|------------------|------------------|



| | |
|--------------------------------------|---------------------------|
| Connector Height | 6.8 mm[.27 in] |
| Compatible Insulation Diameter Range | .8 – 1 mm[.035 – .039 in] |
| Wire Size | .08 – .09 mm ² |
| Row-to-Row Spacing | 2 mm[.059 in] |

Usage Conditions

| | |
|-----------------------------|----------------------------|
| Operating Temperature Range | -40 – 105 °C[-40 – 221 °F] |
|-----------------------------|----------------------------|

Operation/Application

| | |
|---------------------|--------|
| Circuit Application | Signal |
|---------------------|--------|

Industry Standards

| | |
|------------------------|------------|
| UL Rating | Recognized |
| Agency/Standard | UL |
| Approved Standards | UL E28476 |
| UL Flammability Rating | UL 94V-0 |

Packaging Features

| | |
|--------------------|------|
| Packaging Quantity | 2500 |
| Packaging Method | Reel |

Product Compliance

[For compliance documentation, visit the product page on TE.com>](#)

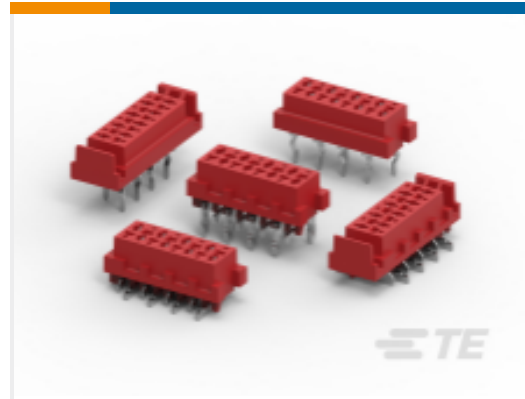
| | |
|---|---|
| EU RoHS Directive 2011/65/EU | Compliant |
| EU ELV Directive 2000/53/EC | Compliant |
| China RoHS 2 Directive MIIT Order No 32, 2016 | No Restricted Materials Above Threshold |
| EU REACH Regulation (EC) No. 1907/2006 | Current ECHA Candidate List: JUNE 2023 (235) Candidate List Declared Against: JUNE 2023 (235) Does not contain REACH SVHC |
| Halogen Content | Not Low Halogen - contains Br or Cl > 900 ppm. |
| Solder Process Capability | Not applicable for solder process capability |

Product Compliance Disclaimer

This information is provided based on reasonable inquiry of our suppliers and represents our current actual knowledge based on the information they provided. This information is subject to change. The part numbers that TE has identified as EU RoHS compliant have a maximum concentration of 0.1% by weight in homogenous materials for lead, hexavalent chromium, mercury, PBB, PBDE, DBP, BBP, DEHP, DIBP, and 0.01% for cadmium, or qualify for an exemption to these limits as defined in the Annexes of Directive 2011/65/EU (RoHS2). Finished electrical and electronic equipment products

will be CE marked as required by Directive 2011/65/EU. Components may not be CE marked. Additionally, the part numbers that TE has identified as EU ELV compliant have a maximum concentration of 0.1% by weight in homogenous materials for lead, hexavalent chromium, and mercury, and 0.01% for cadmium, or qualify for an exemption to these limits as defined in the Annexes of Directive 2000/53/EC (ELV). Regarding the REACH Regulation, the information TE provides on SVHC in articles for this part number is based on the latest European Chemicals Agency (ECHA) 'Guidance on requirements for substances in articles' posted at this URL: <https://echa.europa.eu/guidance-documents/guidance-on-reach>

Compatible Parts



TE Part # CAT-M5833-F3492A
Female-on-Board Connector, Top Entry



TE Part # 7-215460-8
MICRO-MATCH FSID P



TE Part # 338070-8
MICRO-MATCH FEM.SE



TE Part # 100400-8
MICRO-MATCH FSID NP



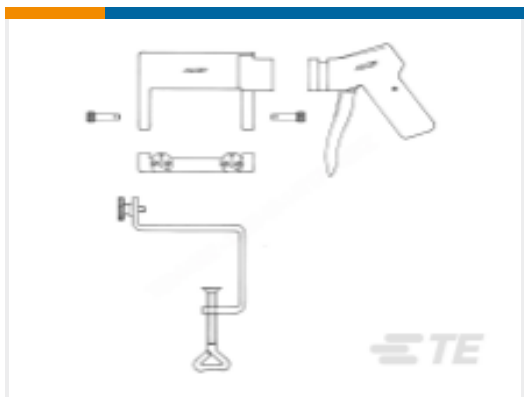
TE Part # 7-188431-8
MM 8p FIB SMD connector



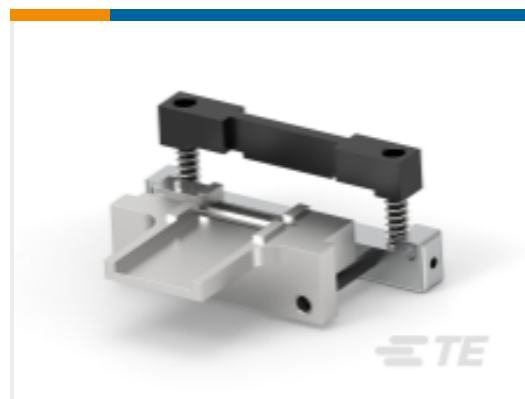
TE Part # 215460-8
MICRO-MATCH FEM.SE



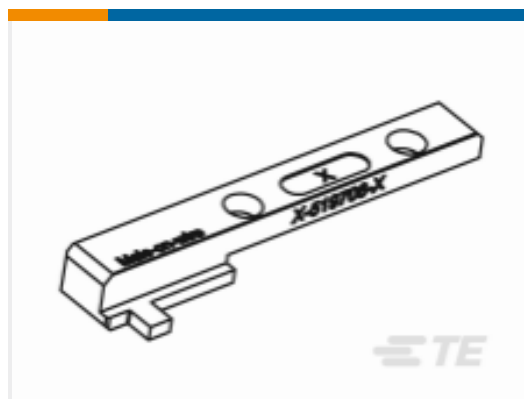
TE Part # 7-100400-8
MICRO-MATCH FSID NP



TE Part # 734155-1
Micro-MaTch HANDTOOL KIT w.o. ADAPTER



TE Part # 734024-1
Micro-MaTch ADAPTER, 4-24 POS.



TE Part # 519708-1
TERMINATION PUSHER



TE Part # 677412-4
SEMI AUTO.MACHINE, MICRO-MATCH, 4-24 POS

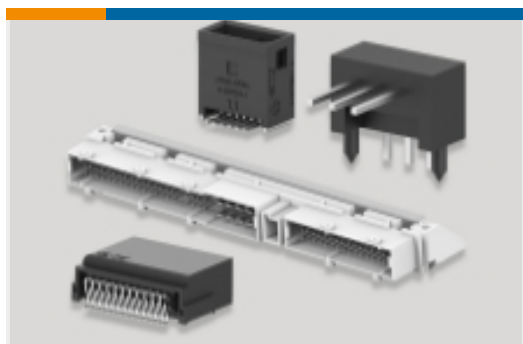
Also in the Series | Micro-MaTch Industrial



Board-In Connectors(20)



Insertion & Extraction Tools(1)



PCB Headers & Receptacles(1)



Pluggable I/O Cable Assemblies(52)

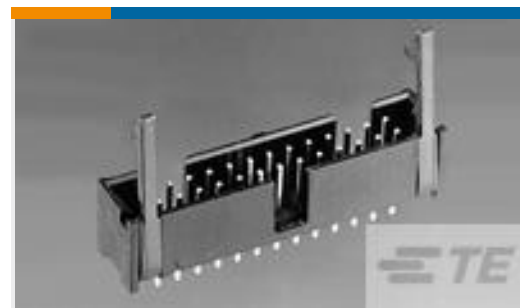


Ribbon Cable Connectors(185)



Wire-to-Board Connector Contacts(4)

Customers Also Bought

TE Part #8-1393766-0
R10-E1Z4-V2.5K=R10TE Part #2-1761609-7
IDC LOW PRO HDR 20P RA SHT LAT
BLUETE Part #215083-6
MICRO-MATCH MOW.06PTE Part #1-2372389-0
MICRO MNL, HDR ASSY, SINGLE
ROW, AU**CRIMPER** REPRESENTATION ONLYTE Part #2-1803224-4
CRIMPER,WIRE F**ANVIL** REPRESENTATION ONLYTE Part #2217984-3
ANVILTE Part #CD41583001
55E0211-0.50-0(B01)

Documents

Product Drawings

MICRO-MATCH MOW.08P

English

CAD Files

3D PDF

3D

Customer View Model

[ENG_CVM_CVM_215083-8_U.2d_dxf.zip](#)

English

Customer View Model

[ENG_CVM_CVM_215083-8_U.3d_igs.zip](#)

English

Customer View Model

[ENG_CVM_CVM_215083-8_U.3d_stp.zip](#)

English

By downloading the CAD file I accept and agree to the [Terms and Conditions](#) of use.



Datasheets & Catalog Pages

[Micro-MaTch Catalog](#)

English

[Ribbon Cable Interconnect Solutions](#)

English

[Centerline Micro-Match Connector Series](#)

English

Product Specifications

[Application Specification](#)

English

[micro match miniature connector system](#)

English

Product Environmental Compliance

[Product Compliance Document](#)

English

[Product Compliance Document](#)

English

Agency Approvals

[UL Report](#)

English