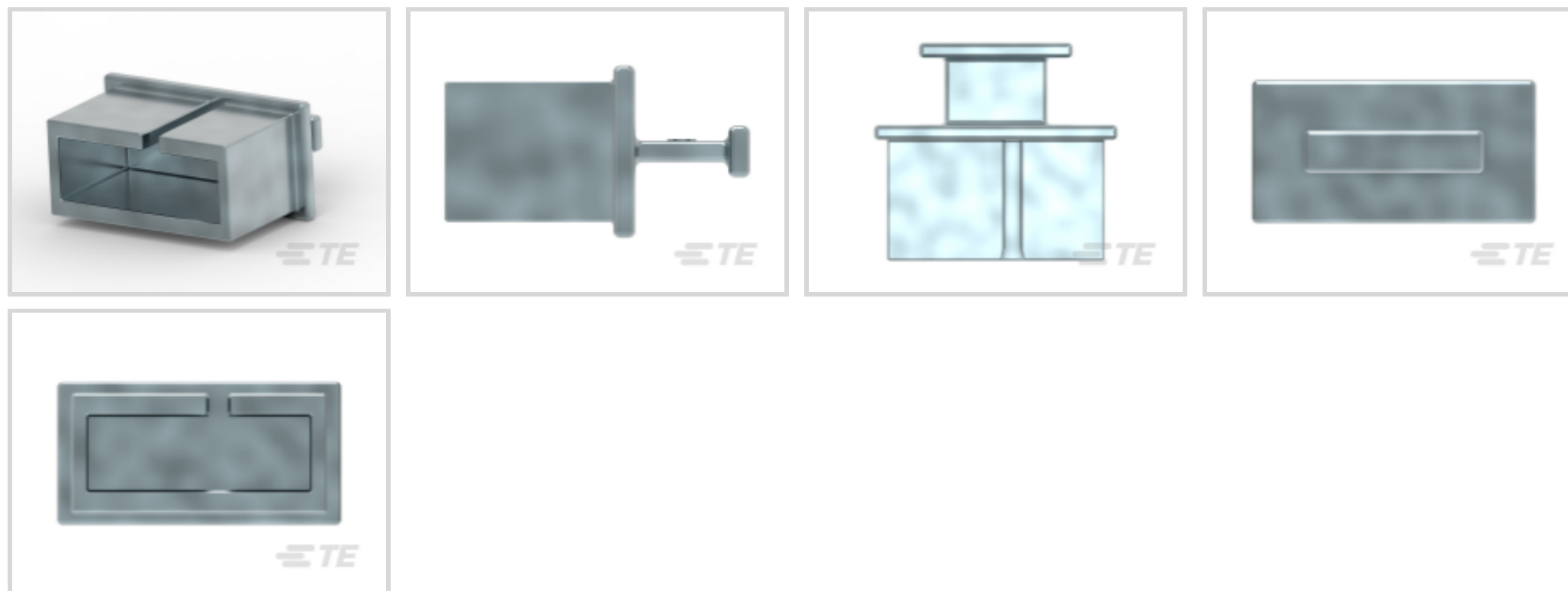




Connectors > Connector Accessories > Connector Caps & Covers > CXP Accessories



Connector Cover Type: **EMI Plug Dust Cover**

Primary Product Material: **LCP (Liquid Crystal Polymer)**

[All CXP Accessories \(1\)](#)

Features

Product Type Features

Connector Cover Type	EMI Plug Dust Cover
----------------------	---------------------

Body Features

Primary Product Material	LCP (Liquid Crystal Polymer)
--------------------------	------------------------------

Housing Features

Compatible With Connector Shape	Rectangular
---------------------------------	-------------

Packaging Features

Packaging Method	Box & Tray, Tray
------------------	------------------

Product Compliance

[For compliance documentation, visit the product page on TE.com>](#)

EU RoHS Directive 2011/65/EU	Compliant
EU ELV Directive 2000/53/EC	Compliant
China RoHS 2 Directive MIIT Order No 32, 2016	No Restricted Materials Above Threshold
EU REACH Regulation (EC) No. 1907/2006	Current ECHA Candidate List: JUNE 2023 (235) Candidate List Declared Against: JUNE 2023 (235) Does not contain REACH SVHC

Halogen Content	Low Halogen - Br, Cl, F, I < 900 ppm per homogenous material. Also BFR/CFR/PVC Free
Solder Process Capability	Not applicable for solder process capability

Product Compliance Disclaimer

This information is provided based on reasonable inquiry of our suppliers and represents our current actual knowledge based on the information they provided. This information is subject to change. The part numbers that TE has identified as EU RoHS compliant have a maximum concentration of 0.1% by weight in homogenous materials for lead, hexavalent chromium, mercury, PBB, PBDE, DBP, BBP, DEHP, DIBP, and 0.01% for cadmium, or qualify for an exemption to these limits as defined in the Annexes of Directive 2011/65/EU (RoHS2). Finished electrical and electronic equipment products will be CE marked as required by Directive 2011/65/EU. Components may not be CE marked. Additionally, the part numbers that TE has identified as EU ELV compliant have a maximum concentration of 0.1% by weight in homogenous materials for lead, hexavalent chromium, and mercury, and 0.01% for cadmium, or qualify for an exemption to these limits as defined in the Annexes of Directive 2000/53/EC (ELV). Regarding the REACH Regulation, the information TE provides on SVHC in articles for this part number is based on the latest European Chemicals Agency (ECHA) 'Guidance on requirements for substances in articles' posted at this URL: <https://echa.europa.eu/guidance-documents/guidance-on-reach>

Compatible Parts

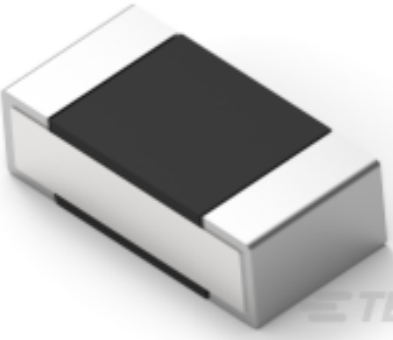


TE Part # CAT-C991-C76264
CXP Receptacle Kits


Customers Also Bought



TE Part #2288221-1
CFP2 EMI/DUST PLUG



TE Part #9-2176307-2
RP 1E 0.1W 110K 0.1% 25PPM 5K RL



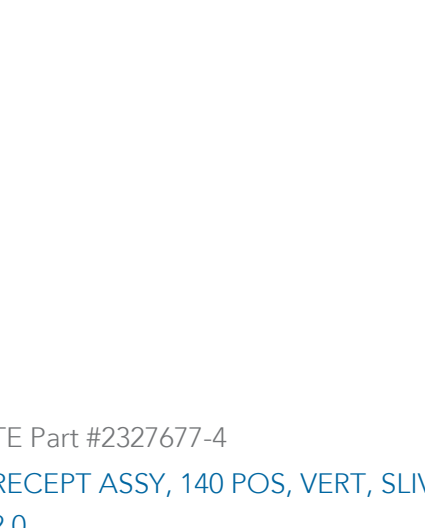
TE Part #5352106-1
Z-PACK/A RAMH.110P



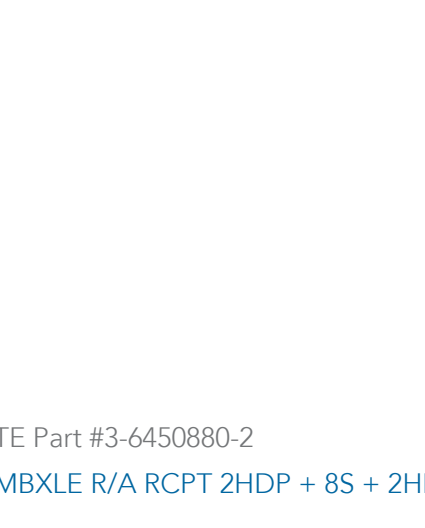
TE Part #5174882-2
AMP POWER TAP CONN 8P



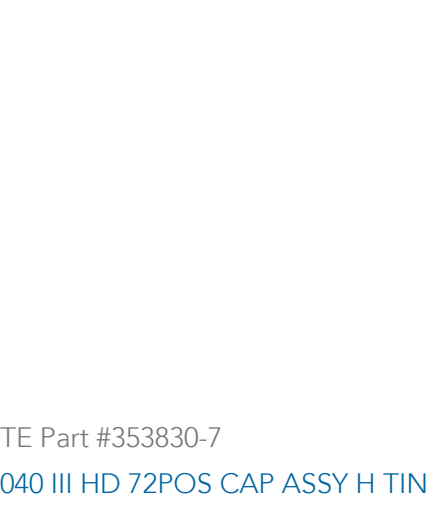
TE Part #2132498-1
IMP100S,R,RA3P6C,LG,39



TE Part #2327677-4
RECEPT ASSY, 140 POS, VERT, SLIVER 2.0



TE Part #3-6450880-2
MBXLE R/A RCPT 2HDP + 8S + 2HDP



TE Part #353830-7
040 III HD 72POS CAP ASSY H TIN

Documents

Product Drawings

EMI/Dust Plug

English

CAD Files

3D PDF

3D

Customer View Model

[ENG_CVM_CVM_2149126-3_A.2d_dxf.zip](#)

English

Customer View Model

[ENG_CVM_CVM_2149126-3_A.3d_igs.zip](#)

English

Customer View Model

[ENG_CVM_CVM_2149126-3_A.3d_stp.zip](#)

English

By downloading the CAD file I accept and agree to the [Terms and Conditions](#) of use.

Datasheets & Catalog Pages

3-1773462-5_CXP_PLUGGABLE_IO_INTERCONNECT

English

Product Specifications

Application Specification

English

Product Environmental Compliance

MD_2149126-3_102720132221_dmtec

English

MD_2149126-3_102720132221_dmtec

English

Instruction Sheets

Instruction Sheet (U.S.)

English

Instruction Sheet (U.S.)

English