



microSFP+

TE Internal #: 2142970-4

TE Internal Description: CABLE ASSY, MICRO SFP+ TO STD SFP+,  
3M

[View on TE.com >](#)

Cable Assemblies > Copper Cable Assemblies > Pluggable I/O Cable Assemblies



Cable Assembly Type: **Micro SFP+ to SFP+**

Equalized: **No**

Wire Size: **.129 mm<sup>2</sup>**

Outside Cable Diameter: **5.96 mm [ .235 in ]**

## Features

### Product Type Features

Cable Assembly Category	High Speed
Cable Assembly Type	Micro SFP+ to SFP+
Connector Type (End A)	Micro SFP+ Plug
Connector Type (End B)	SFP+ Plug
Cable Style	Madison TurboTwin - Round Jacketed

### Configuration Features

Number of Positions	4
Number of Pairs	2
Number of Signal Positions	4

### Electrical Characteristics

Impedance	100 Ω
-----------	-------

### Signal Characteristics

Data Rate	10 Gb/s
-----------	---------

### Body Features

Equalized	No
Cable Color	Black
Cable Flammability Rating	UL 1581

### Dimensions

Wire Size	.129 mm <sup>2</sup>
-----------	----------------------



Outside Cable Diameter 5.96 mm[.235 in]

### Operation/Application

Shielded Yes

Halogen Free Yes

### Other

Cable Assembly Length 3 m[3 ft]

## Product Compliance

[For compliance documentation, visit the product page on TE.com>](#)

EU RoHS Directive 2011/65/EU Not Yet Reviewed

EU ELV Directive 2000/53/EC Compliant with Exemptions

China RoHS 2 Directive MIIT Order No 32, 2016 Restricted Materials Above Threshold

EU REACH Regulation (EC) No. 1907/2006  
 Current ECHA Candidate List: JUNE 2023 (235)  
 Candidate List Declared Against: JAN 2023 (233)  
 SVHC > Threshold:  
 Pb (3.7% in Component part)  
 DBMC (1.78% in Component part)  
**Article Safe Usage Statements:**  
 Do not eat, drink or smoke when using this product. Wash thoroughly after handling. Do not handle until all safety precautions have been read and understood. Recycle if possible and dispose of the article by following all applicable governmental regulations relevant to your geographic location.

Halogen Content Not Yet Reviewed for halogen content

Solder Process Capability Not applicable for solder process capability

#### Product Compliance Disclaimer

This information is provided based on reasonable inquiry of our suppliers and represents our current actual knowledge based on the information they provided. This information is subject to change. The part numbers that TE has identified as EU RoHS compliant have a maximum concentration of 0.1% by weight in homogenous materials for lead, hexavalent chromium, mercury, PBB, PBDE, DBP, BBP, DEHP, DIBP, and 0.01% for cadmium, or qualify for an exemption to these limits as defined in the Annexes of Directive 2011/65/EU (RoHS2). Finished electrical and electronic equipment products will be CE marked as required by Directive 2011/65/EU. Components may not be CE marked. Additionally, the part numbers that TE has identified as EU ELV compliant have a maximum concentration of 0.1% by weight in homogenous materials for lead, hexavalent chromium, and mercury, and 0.01% for cadmium, or qualify for an exemption to these limits as defined in the Annexes of Directive 2000/53/EC (ELV). Regarding the REACH Regulations, TE's information on SVHC in articles for this part number is still based on the European Chemical Agency (ECHA) 'Guidance on requirements for substances in articles' (Version: 2, April 2011), applying the 0.1% weight on weight concentration threshold at the finished product level. TE is aware of the European Court of Justice ruling of September 10th, 2015 also known as O5A (Once An Article Always An Article) stating that, in case of 'complex object', the threshold for a SVHC must be applied to both the product as a whole and simultaneously to each of the articles forming part of its composition. TE has evaluated this ruling based on the new ECHA "Guidance on requirements for substances in articles" (June 2017, version 4.0) and will be updating its statements accordingly.

## Compatible Parts



TE Part # CAT-SF59-C117ST123  
SFP+ Stacked Cage Assemblies



TE Part # CAT-SF59-C76264  
SFP Connectors



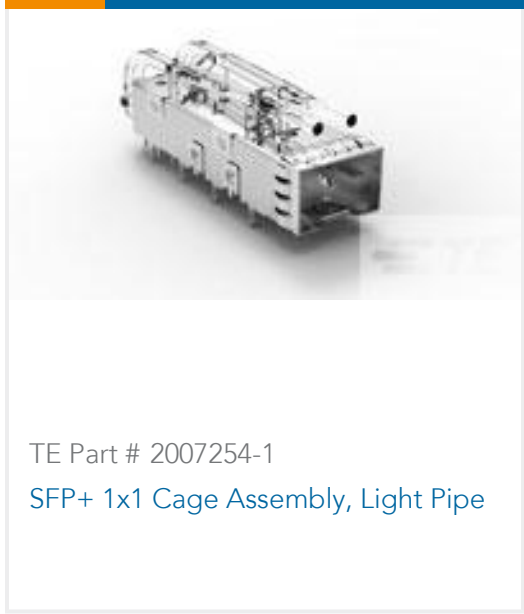
TE Part # CAT-SF59-AC229  
SFP accessories



TE Part # 2007135-1  
SFP+ 1x4 CageAssembly w/ EMI gasket



TE Part # 2007180-1  
SFP+ 1X2 CAGE ASSM/LIGHTPIPE, EMI GASKET



TE Part # 2007254-1  
SFP+ 1x1 Cage Assembly, Light Pipe



TE Part # 2198230-2  
SFP+ Enhanced 1x2, SAN Heatsink



TE Part # 2198230-1  
SFP+ Enhanced 1x2, PCI Heatsink



TE Part # 2170030-1  
SFP+ 1x4 w/ Ultra Low Profile LP



TE Part # 2007194-2  
SFP+ 1x1 Cage Assembly, PCI, Solder Tail



TE Part # 2007181-1  
SFP+ 1x2 Cage Assy, EMI Gasket



TE Part # 2007194-1  
SFP+ 1x1 Cage Assembly, PCI, Solder Tail



TE Part # 2110304-1  
SFP+ 1x1 Cage Assembly, Solder Tail



TE Part # 2007251-1  
SFP+ 1x6 Cage Assembly



TE Part # 2007178-1  
SFP+ 1x4 Cage Assembly, Light



TE Part # 2007262-1  
SFP+ 1x2 Cage Assembly, Light



TE Part # 2198230-3  
SFP+ Enhanced 1x2, Networking Heatsink



TE Part # 2007263-1  
SFP+ 1x2 Cage Assembly



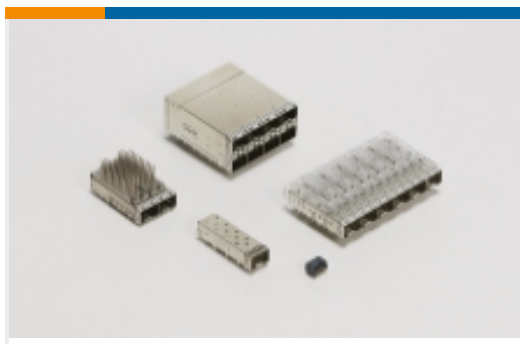
TE Part # 2007464-3  
SFP+ 1x1 Cage Assy, PF,with Heatsink



TE Part # 2149730-1  
SFP+ 1x4 Cage, Heatsinks and Lightpipes

Also in the Series | **microSFP+**





SFP, SFP+ & zSFP+(1)

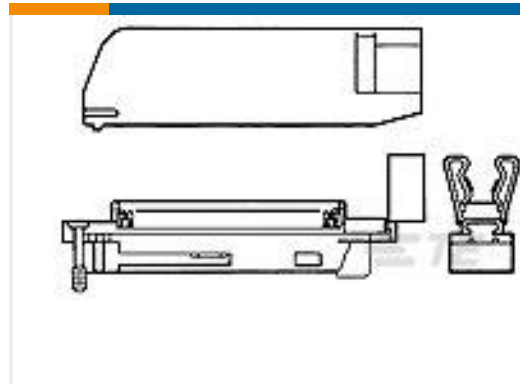
## Customers Also Bought



TE Part #T4132412031-000  
M12,FRONT MOUNT,MALE,B,3P,  
SOLDER WIRE



TE Part #2007088-3  
CONNECTOR ASSEMBLY, SEC II POW



TE Part #5553213-3  
Plug Kit, 50 pos., B Slot, Cri



TE Part #1761786-1  
CONNECTOR ASSEMBLY, SEC II  
POWER, DUAL P



TE Part #2170773-3  
CAGE ASSY, QSFP28 1X1, SPRING, LP



TE Part #2227226-3  
zQSFP+ STACKED RECEPTACLE  
ASSEMBLY 2X3



TE Part #ZPF000000000007532  
983-0SE 12-12 P6



TE Part #2142970-1  
CABLE ASSY, MICRO SFP+ TO STD  
SFP+, 0.5M



TE Part #2142970-2  
CABLE ASSY, MICRO SFP+ TO STD  
SFP+, 1M

## Documents

### Product Drawings

CABLE ASSY, MICRO SFP+ TO STD SFP+, 3M

English

### Datasheets & Catalog Pages

MICRO SFP+ CONNECTOR & CABLE ASSEMBLY

English

### Product Specifications



## Application Specification

English