

213845-1 ✓ ACTIVE

AMP | AMP POWERBAND

TE Internal #: 213845-1

Power Contacts, Contact, 600 VAC, 600 VDC, Silver, 14 – 12 AWG

Wire Size, 2 – 3 mm² Wire Size, Wire & Cable, Crimp, Power, Pin,

AMP POWERBAND

[View on TE.com >](#)



Connectors > Power Connectors > Power Contacts > POWERBAND Contacts



Power Contact Type: **Contact**

Operating Voltage: **600 VDC**

Contact Mating Area Plating Material: **Silver**

Wire Size: **14 – 12 AWG**

[All POWERBAND Contacts \(20\)](#)

Features

Product Type Features

Power Contact Type	Contact
Sealable	No
Connector & Contact Terminates To	Wire & Cable

Electrical Characteristics

Operating Voltage	600 VDC
-------------------	---------

Contact Features

Contact Size	Size 8
Contact Mating Area Plating Material	Silver
Contact Current Rating (Max)	50 A
Contact Type	Pin
Contact Retention Within Housing	With
Mating Pin Diameter	3.18 mm[.125 in]
Contact Base Material	Copper



Contact Mating Area Plating Material Thickness	5.08 μm[200 μin]
------------------------------------------------	------------------

Contact Mating Area Plating Material Finish	Semi-Bright
---------------------------------------------	-------------

Wire Contact Termination Area Plating Thickness	1.27 μm[50 μin]
-------------------------------------------------	-----------------

Wire Contact Termination Area Plating Material	Silver
------------------------------------------------	--------

Wire Contact Termination Area Plating Material Finish	Semi-Bright
-------------------------------------------------------	-------------

Contact Orientation	Straight
---------------------	----------

Contact Underplating Material	Nickel
-------------------------------	--------

Contact Underplating Material Thickness	1.27 μm[50 μin]
-----------------------------------------	-----------------

Termination Features

Termination Method to Wire & Cable	Crimp
------------------------------------	-------

Mechanical Attachment

Wire Insulation Support	Without
-------------------------	---------

Dimensions

Wire Size	2 – 3 mm ²
-----------	-----------------------

Usage Conditions

Operating Temperature Range	-55 – 105 °C[-67 – 221 °F]
-----------------------------	----------------------------

Operation/Application

Circuit Application	Power
---------------------	-------

Packaging Features

Packaging Quantity	1500
--------------------	------

Packaging Method	Reel
------------------	------

Product Compliance

[For compliance documentation, visit the product page on TE.com>](#)

EU RoHS Directive 2011/65/EU	Compliant
------------------------------	-----------

EU ELV Directive 2000/53/EC	Compliant
-----------------------------	-----------

China RoHS 2 Directive MIIT Order No 32, 2016	No Restricted Materials Above Threshold
-----------------------------------------------	-----------------------------------------

EU REACH Regulation (EC) No. 1907/2006	Current ECHA Candidate List: JUNE 2023 (235) Candidate List Declared Against: JUNE 2023 (235) Does not contain REACH SVHC
----------------------------------------	---------------------------------------------------------------------------------------------------------------------------------

Halogen Content	Low Halogen - Br, Cl, F, I < 900 ppm per homogenous material. Also BFR/CFR/PVC
-----------------	--------------------------------------------------------------------------------

Free

Solder Process Capability

Not applicable for solder process capability

Product Compliance Disclaimer

This information is provided based on reasonable inquiry of our suppliers and represents our current actual knowledge based on the information they provided. This information is subject to change. The part numbers that TE has identified as EU RoHS compliant have a maximum concentration of 0.1% by weight in homogenous materials for lead, hexavalent chromium, mercury, PBB, PBDE, DBP, BBP, DEHP, DIBP, and 0.01% for cadmium, or qualify for an exemption to these limits as defined in the Annexes of Directive 2011/65/EU (RoHS2). Finished electrical and electronic equipment products will be CE marked as required by Directive 2011/65/EU. Components may not be CE marked. Additionally, the part numbers that TE has identified as EU ELV compliant have a maximum concentration of 0.1% by weight in homogenous materials for lead, hexavalent chromium, and mercury, and 0.01% for cadmium, or qualify for an exemption to these limits as defined in the Annexes of Directive 2000/53/EC (ELV). Regarding the REACH Regulation, the information TE provides on SVHC in articles for this part number is based on the latest European Chemicals Agency (ECHA) 'Guidance on requirements for substances in articles' posted at this URL: <https://echa.europa.eu/guidance-documents/guidance-on-reach>

Compatible Parts

TE Part # CAT-AM71-C83998U
Environmentally Sealed Circular Connector, CPC Series 5

TE Part # CAT-AM71-C83998K
Circular Connector, Environmentally Sealed, CPC Series 6

TE Part # 213906-1
CPC PLUG ASSY, SRS 6, SZ 17-10

TE Part # 213899-1
CPC SEAL ASSY KIT, SRS 5, 17-3

TE Part # 213900-1
CPC SEAL ASSY KIT, SRS 6, 17-10

TE Part # 2-2836120-2
OCEAN-2.0-APPLICATOR-S-130F

TE Part # 2836120-2
OCEAN-2.0-APPLICATOR-S-130F

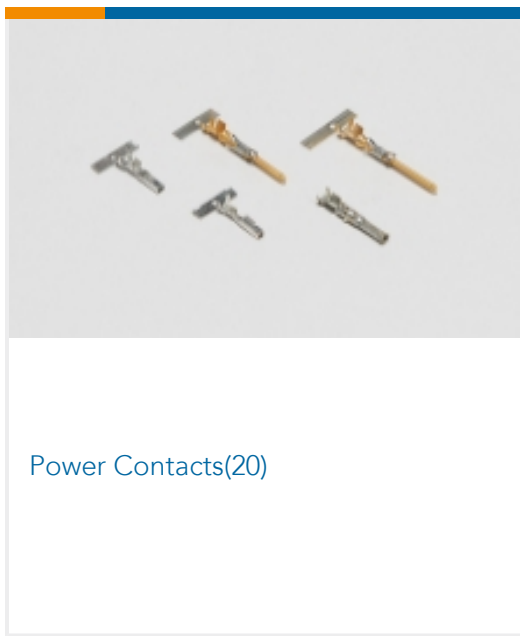
TE Part # 7-2836120-2
OCEAN-2.0-APPLICATOR-S-130F

KIT
TE Part # 7-2836120-7
OCEAN_2.0_SPARE_PART_KIT-130F

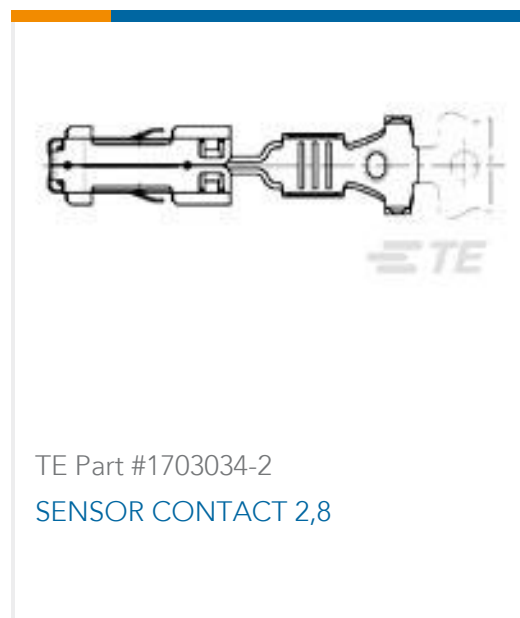
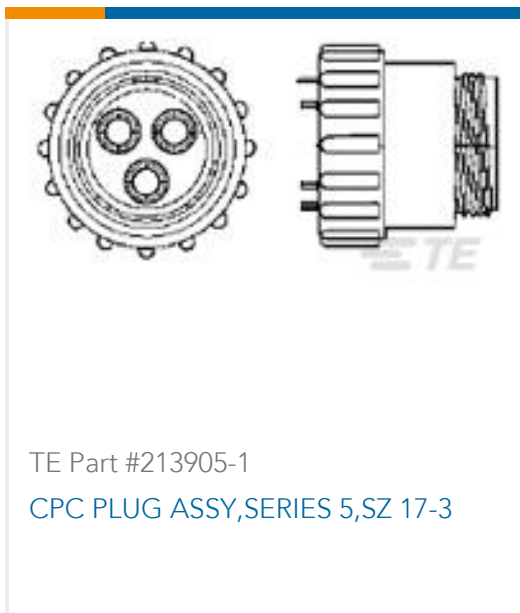
TE Part # 197889-1
ANVIL HOLDER

TE Part # 680195-3
HDM 55MPR130F G

Also in the Series | **AMP POWERBAND**



Customers Also Bought



Documents

Product Drawings

[POWERBAND CONT ASSY,SILVER PLT](#)

English

CAD Files

[3D PDF](#)

English

Customer View Model

[ENG_CVM_213845-1_B.3d_igs.zip](#)



English

Customer View Model

[ENG_CVM_213845-1_B.3d_stp.zip](#)

English

Customer View Model

[ENG_CVM_213845-1_B.2d_dxf.zip](#)

English

3D PDF

3D

Customer View Model

[ENG_CVM_CVM_213845-1_F.2d_dxf.zip](#)

English

Customer View Model

[ENG_CVM_CVM_213845-1_F.3d_igs.zip](#)

English

Customer View Model

[ENG_CVM_CVM_213845-1_F.3d_stp.zip](#)

English

By downloading the CAD file I accept and agree to the [Terms and Conditions](#) of use.

Datasheets & Catalog Pages

[AMP Circular Connectors for Commercial Signal & Power Applications](#)

English

[Power Contacts](#)

English

[METRIMATE_PIN_SOCKET_CATALOG](#)

English

Product Specifications

[Application Specification](#)

English

Product Environmental Compliance

[TE Material Declaration](#)

English

Agency Approvals

[Agency Approval Document](#)

English