



Connectors > Power Connectors > Power Contacts > Pin and Socket Contacts, CPC MIL-C-5015



Power Contact Type: **Contact**

Contact Mating Area Plating Material: **Tin**

Wire Size: **.8 – 2 mm²**

Sealable: **No**

[All Pin and Socket Contacts, CPC MIL-C-5015 \(3\)](#)

Features

Product Type Features

Power Contact Type	Contact
Sealable	No
Connector & Contact Terminates To	Wire & Cable

Contact Features

Contact Size	Size 16
Barrel Type	Open
Contact Mating Area Plating Material	Tin
Contact Current Rating (Max)	13 A
Contact Type	Pin
Contact Retention Within Housing	With
Mating Pin Diameter	1.57 mm[.062 in]
Contact Base Material	Brass
Contact Mating Area Plating Material Thickness	1.27 μm[50 μin]



Contact Mating Area Plating Material Finish	Bright
Wire Contact Termination Area Plating Thickness	1.27 μm[50 μin]
Wire Contact Termination Area Plating Material	Tin
Wire Contact Termination Area Plating Material Finish	Bright
Contact Orientation	Straight
Contact Underplating Material	Nickel
Contact Underplating Material Thickness	1.27 μm[50 μin]

Termination Features

Termination Method to Wire & Cable	Crimp
------------------------------------	-------

Mechanical Attachment

Wire Insulation Support	Without
-------------------------	---------

Dimensions

Wire Size	.8 – 2 mm ²
Compatible Insulation Diameter Range	2.79 – 3.81 mm[.11 – .15 in]

Usage Conditions

Operating Temperature Range	-55 – 90 °C[-67 – 194 °F]
-----------------------------	---------------------------

Operation/Application

Circuit Application	Signal
---------------------	--------

Packaging Features

Packaging Quantity	4000
Packaging Method	Reel

Other

Power Connectors Comment	For use in MIL-C-5015 CPC Connectors only
--------------------------	---

Product Compliance

[For compliance documentation, visit the product page on TE.com>](#)

EU RoHS Directive 2011/65/EU	Compliant
EU ELV Directive 2000/53/EC	Compliant
China RoHS 2 Directive MIIT Order No 32, 2016	No Restricted Materials Above Threshold
EU REACH Regulation (EC) No. 1907/2006	Current ECHA Candidate List: JUNE 2023 (235) Candidate List Declared Against: JUNE 2023 (235)

Does not contain REACH SVHC

Halogen Content

Low Halogen - Br, Cl, F, I < 900 ppm per homogenous material. Also BFR/CFR/PVC Free

Solder Process Capability

Not applicable for solder process capability

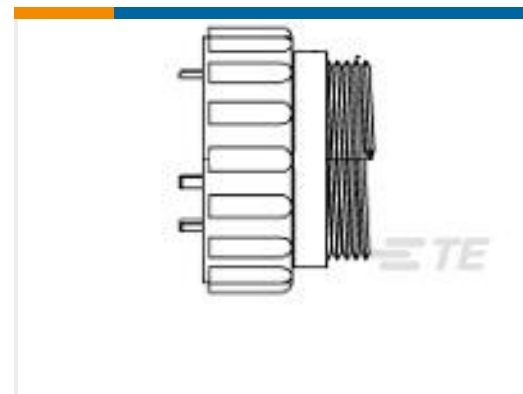
Product Compliance Disclaimer

This information is provided based on reasonable inquiry of our suppliers and represents our current actual knowledge based on the information they provided. This information is subject to change. The part numbers that TE has identified as EU RoHS compliant have a maximum concentration of 0.1% by weight in homogenous materials for lead, hexavalent chromium, mercury, PBB, PBDE, DBP, BBP, DEHP, DIBP, and 0.01% for cadmium, or qualify for an exemption to these limits as defined in the Annexes of Directive 2011/65/EU (RoHS2). Finished electrical and electronic equipment products will be CE marked as required by Directive 2011/65/EU. Components may not be CE marked. Additionally, the part numbers that TE has identified as EU ELV compliant have a maximum concentration of 0.1% by weight in homogenous materials for lead, hexavalent chromium, and mercury, and 0.01% for cadmium, or qualify for an exemption to these limits as defined in the Annexes of Directive 2000/53/EC (ELV). Regarding the REACH Regulation, the information TE provides on SVHC in articles for this part number is based on the latest European Chemicals Agency (ECHA) 'Guidance on requirements for substances in articles' posted at this URL: <https://echa.europa.eu/guidance-documents/guidance-on-reach>

Compatible Parts



TE Part # CAT-AM71-C83998Y
One-Piece Connector, Sealed, CPC Series 1



TE Part # 206516-1
CPC PLUG ASSEMBLY SIZE 11-4



TE Part # 91521-1
CCII TYPE III+ PIN SKT 18-14 ASSY



TE Part # 2305570-1
Strip Terminal Cutter-Side Feed-No Crimp



TE Part # CAT-AM71-C83998K
Circular Connector, Environmentally Sealed, CPC Series 6



TE Part # 2151405-1
OCEAN_2.0_Applicator-S-090F1550



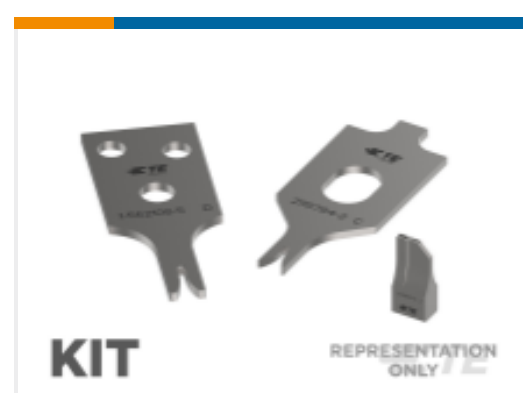
TE Part # 2151405-2
OCEAN_2.0_Applicator-S-090F1550



TE Part # 7-2151405-1
OCEAN_2.0_Applicator-S-090F1550



TE Part # 7-2151405-2
OCEAN_2.0_Applicator-S-090F1550



TE Part # 7-2151405-7
OCEAN_2.0_SPARE_PART_KIT-090F1550



TE Part # 2-2151405-1
OCEAN_2.0_Applicator-S-090F1550



TE Part # 2-2151405-2
OCEAN_2.0_Applicator-S-090F1550

Also in the Series | AMP CPC



Circular Connector Adapters(7)



Circular Connector Hardware(3)



Circular Connector Keying Plugs(2)



Circular Power Connectors(458)



Connector Backshells(56)



Connector Caps & Covers(16)



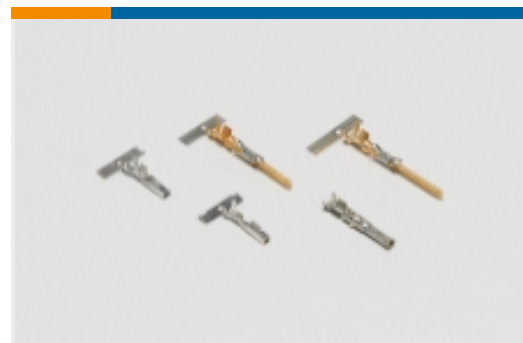
Connector Seals & Cavity Plugs(36)



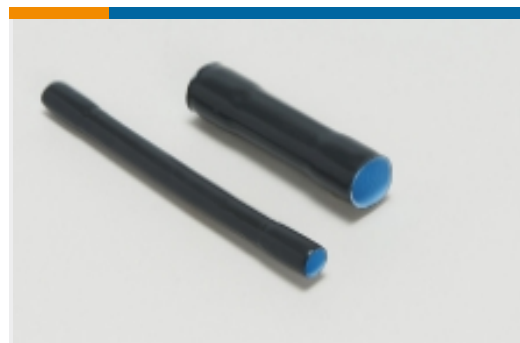
Connector Strain Relief(6)



Insertion & Extraction Tools(1)



Power Contacts(6)



Sealing Sleeves(2)

Customers Also Bought



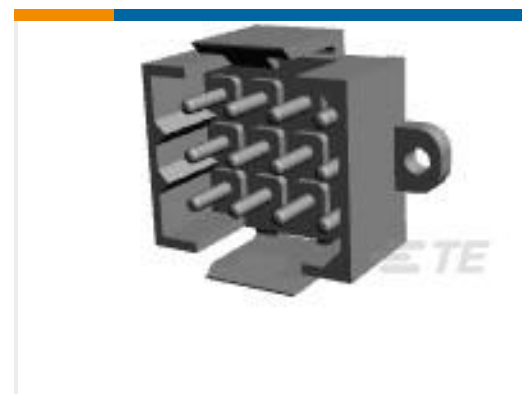
TE Part #66598-9
III+ SKT,18-14,TIN ,STRIP



TE Part #213570-1
CPC MIL-C-5015 Connector



TE Part #207526-7
SKT HDR ASSY,9 POSN,METRIMATE



TE Part #207120-8
METRIMATE PIN HEADER ASSY,12P



TE Part #5-66461-9
SKT,.062 DIA,.025 SQ POST,LP



TE Part #NB17342001
RP-4800-NO.11-0-STK



TE Part #207441-7
METRIMATE PIN HEADER ASSY,9P



TE Part #1-66473-8
SKT,.062 DIA,.045 SQ POST,LP



Documents

Product Drawings

[5015 PIN,18-14,TIN-LEAD,STRIP](#)

English

CAD Files

[3D PDF](#)

3D

Customer View Model

[ENG_CVM_CVM_213603-5_L.2d_dxf.zip](#)

English

Customer View Model

[ENG_CVM_CVM_213603-5_L.3d_igs.zip](#)

English

Customer View Model

[ENG_CVM_CVM_213603-5_L.3d_stp.zip](#)

English

By downloading the CAD file I accept and agree to the [Terms and Conditions](#) of use.

Datasheets & Catalog Pages

[AMP Circular Connectors for Commercial Signal & Power Applications Continued](#)

English

Product Specifications

[Application Specification](#)

English

Product Environmental Compliance

[Product Compliance](#)

English

[Product Compliance](#)

English

Agency Approvals

[UL Report](#)

English