

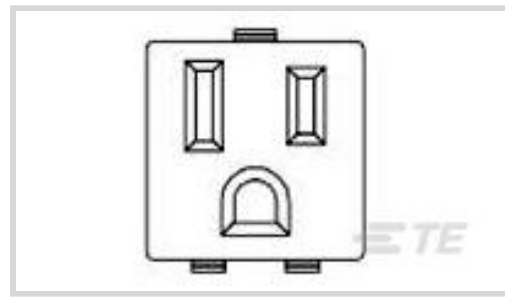
## AMP

TE Internal #: 213598-1

Panel &amp; PCB Outlets, Printed Circuit Board, 15 A, Gray, Glass-Filled Nylon, Height 1.23 in [31.12 mm], Width 1.23 in [31.12 mm]

[View on TE.com >](#)

Connectors &gt; Power Connectors &gt; Panel &amp; PCB Outlets

Connector System: **Cable-to-Panel**Number of Positions: **3**Centerline (Pitch): **12.7 mm [.5 in]**Connector & Contact Terminates To: **Printed Circuit Board**Contact Current Rating (Max): **15 A**

## Features

### Product Type Features

Connector System	Cable-to-Panel
Connector & Contact Terminates To	Printed Circuit Board

### Configuration Features

Number of Positions	3
---------------------	---

### Contact Features

Contact Base Material	Brass
Contact Current Rating (Max)	15 A

### Termination Features

Termination Method to Printed Circuit Board	Through Hole - Solder
---	-----------------------

### Mechanical Attachment

Connector Mounting Type	Panel Mount
-------------------------	-------------

### Housing Features

Centerline (Pitch)	12.7 mm[.5 in]
Housing Color	Gray
Housing Material	Glass-Filled Nylon

### Dimensions

Product Height	31.12 mm[1.23 in]
Product Width	31.12 mm[1.23 in]



Product Depth	32.54 mm[1.28 in]
---------------	-------------------

### Usage Conditions

Operating Temperature Range	-40 – 110 °C[-40 – 230 °F]
-----------------------------	----------------------------

### Operation/Application

Circuit Application	Power
---------------------	-------

### Other

Power Connectors Comment	Receptacle Assembly
--------------------------	---------------------

## Product Compliance

[For compliance documentation, visit the product page on TE.com>](#)

EU RoHS Directive 2011/65/EU	Not Compliant
------------------------------	---------------

EU ELV Directive 2000/53/EC	Not Compliant
-----------------------------	---------------

China RoHS 2 Directive MIIT Order No 32, 2016	Restricted Materials Above Threshold
---	--------------------------------------

EU REACH Regulation (EC) No. 1907/2006	<p>Current ECHA Candidate List: JUNE 2023 (235)  Candidate List Declared Against: JAN 2022 (223)  SVHC &gt; Threshold:  Pb (.11% in Component Part)</p> <p><b>Article Safe Usage Statements:</b>  Do not eat, drink or smoke when using this product. Wash thoroughly after handling. Recycle if possible and dispose of the article by following all applicable governmental regulations relevant to your geographic location.</p>
--	---

Halogen Content	Low Halogen - Br, Cl, F, I < 900 ppm per homogenous material. Also BFR/CFR/PVC Free
-----------------	---

Solder Process Capability	Not lead free process capable
---------------------------	-------------------------------

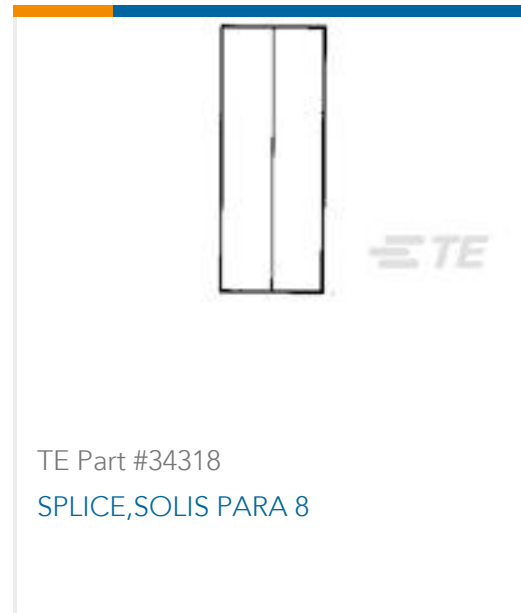
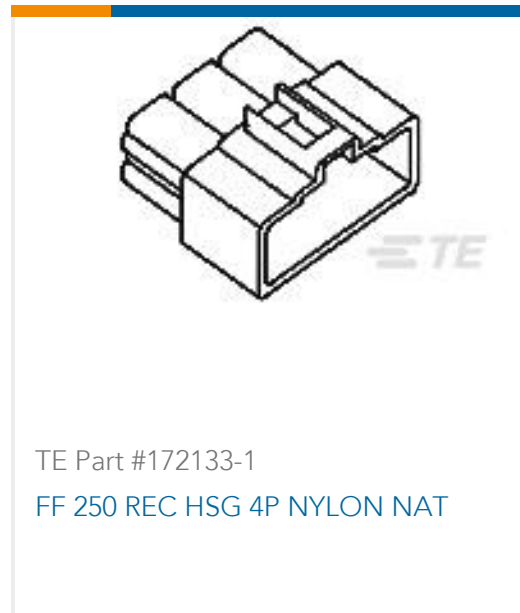
#### Product Compliance Disclaimer

This information is provided based on reasonable inquiry of our suppliers and represents our current actual knowledge based on the information they provided. This information is subject to change. The part numbers that TE has identified as EU RoHS compliant have a maximum concentration of 0.1% by weight in homogenous materials for lead, hexavalent chromium, mercury, PBB, PBDE, DBP, BBP, DEHP, DIBP, and 0.01% for cadmium, or qualify for an exemption to these limits as defined in the Annexes of Directive 2011/65/EU (RoHS2). Finished electrical and electronic equipment products will be CE marked as required by Directive 2011/65/EU. Components may not be CE marked. Additionally, the part numbers that TE has identified as EU ELV compliant have a maximum concentration of 0.1% by weight in homogenous materials for lead, hexavalent chromium, and mercury, and 0.01% for cadmium, or qualify for an exemption to these limits as defined in the Annexes of Directive 2000/53/EC (ELV). Regarding the REACH Regulation, the information TE provides on SVHC in articles for this part number is based on the latest European Chemicals Agency (ECHA) 'Guidance on requirements for substances in articles' posted at this URL: <https://echa.europa.eu/guidance-documents/guidance-on-reach>

## Compatible Parts



## Customers Also Bought



## Documents

### Product Drawings

CNV OUTLET PC BOARD MNT, GRAY

English

### CAD Files

3D PDF

3D

Customer View Model

ENG\_CVM\_CVM\_213598-1\_M\_c-213598-1-m.2d\_dxf.zip



English

**Customer View Model**

[ENG\\_CVM\\_CVM\\_213598-1\\_M\\_c-213598-1-m.3d\\_igs.zip](#)

English

**Customer View Model**

[ENG\\_CVM\\_CVM\\_213598-1\\_M\\_c-213598-1-m.3d\\_stp.zip](#)

English

By downloading the CAD file I accept and agree to the [Terms and Conditions](#) of use.

---

**Datasheets & Catalog Pages**

[POWER\\_CONNECTORS\\_CATALOG\\_SEC08\\_AC\\_INPUTS](#)

English

---

**Agency Approvals**

[UL Report](#)

English