

213500-3 ✓ ACTIVE

AMP | AMP Metrimate

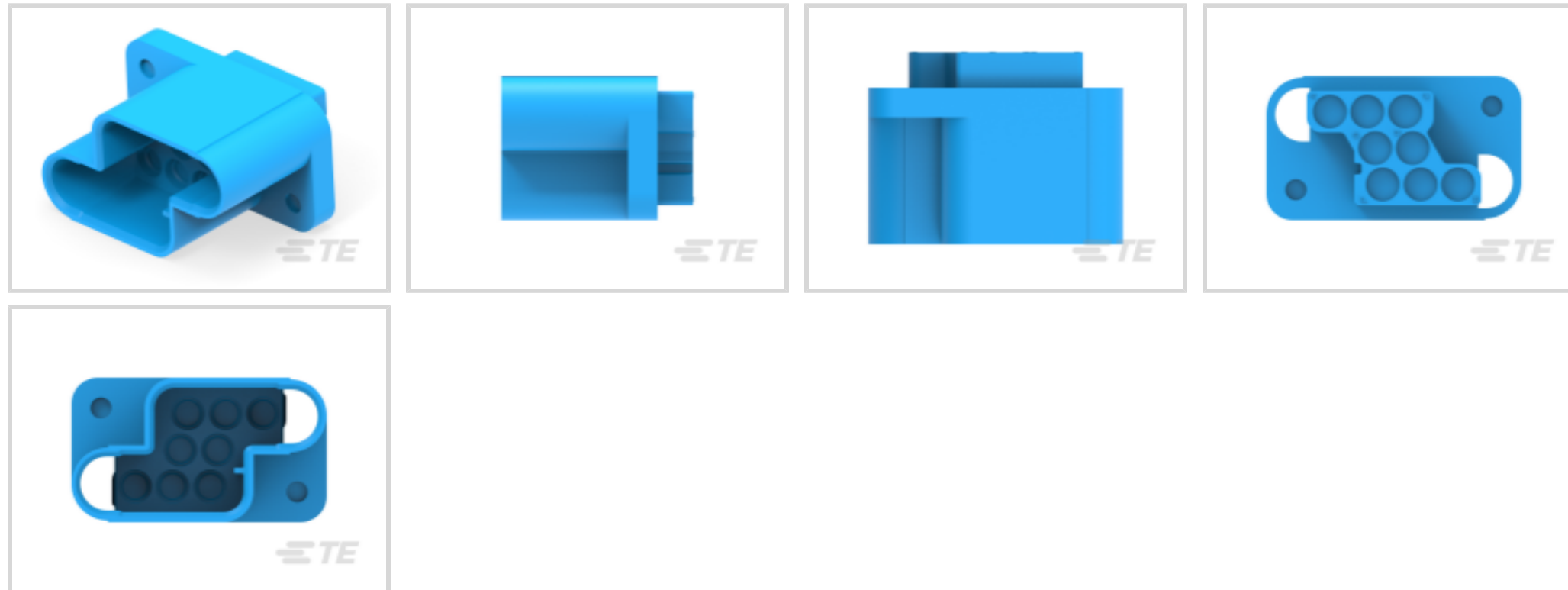
TE Internal #: 213500-3

Rectangular Connector Housings, Wire-to-Wire / Wire-to-Panel, 8 Position, .315 in [8 mm] Centerline, 3 Row, Polyester GF, Receptacle, AMP Metrimate

[View on TE.com >](#)



Connectors > Rectangular Connectors > Rectangular Connector Housings



Connector System: **Wire-to-Panel, Wire-to-Wire**

Number of Positions: **8**

Centerline (Pitch): **8 mm [ .315 in ]**

Number of Rows: **3**

Housing Material: **Polyester GF**

## Features

### Product Type Features

Compatible With Discrete Wire Type	Stranded
Connector System	Wire-to-Panel, Wire-to-Wire
Connector & Housing Type	Receptacle
Sealable	No

### Configuration Features

Compatible With Wire & Cable Type	Discrete Wire
Number of Positions	8
Number of Rows	3

### Electrical Characteristics

Operating Voltage	600 VAC
-------------------	---------

### Contact Features

Contact Type	Pin
Contact Current Rating (Max)	55 A



### Mechanical Attachment

Panel Mount Feature Type	Screw Mount
Connector Mounting Type	Panel Mount

### Housing Features

Housing Color	Blue
Centerline (Pitch)	8 mm [.315 in]
Housing Material	Polyester GF

### Dimensions

Panel Thickness (Recommended)	.8 – 2.3 mm [.031 – .091 in]
Connector Height	30.78 mm
Product Width	54.61 mm
Product Length	56.26 mm
Row-to-Row Spacing	7.77 mm [.306 in]

### Usage Conditions

Operating Temperature Range	-55 – 130 °C [-67 – 266 °F]
-----------------------------	-----------------------------

### Operation/Application

Circuit Application	Power
---------------------	-------

### Industry Standards

CSA Rating	LR 16455
Agency/Standard	CSA, UL, VDE
Approved Standards	UL E28476
UL Flammability Rating	UL 94V-0

### Packaging Features

Packaging Quantity	1
Packaging Method	Package

### Product Compliance

[For compliance documentation, visit the product page on TE.com>](#)

EU RoHS Directive 2011/65/EU	Compliant
EU ELV Directive 2000/53/EC	Compliant
China RoHS 2 Directive MIIT Order No 32, 2016	No Restricted Materials Above Threshold
EU REACH Regulation (EC) No. 1907/2006	



Current ECHA Candidate List: JUNE 2023 (235)

Candidate List Declared Against: JUNE 2023 (235)

Does not contain REACH SVHC

Halogen Content

Not Low Halogen - contains Br or Cl > 900 ppm.

Solder Process Capability

Wave solder capable to 265°C

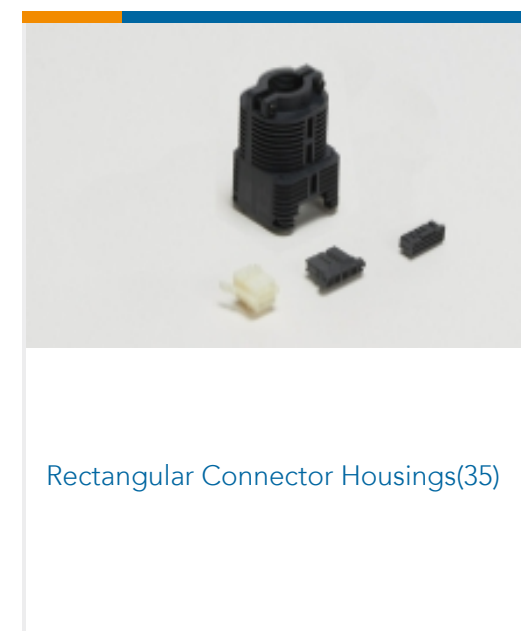
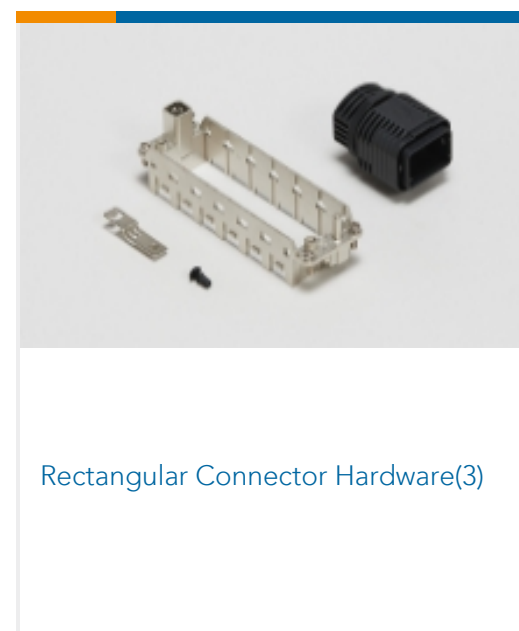
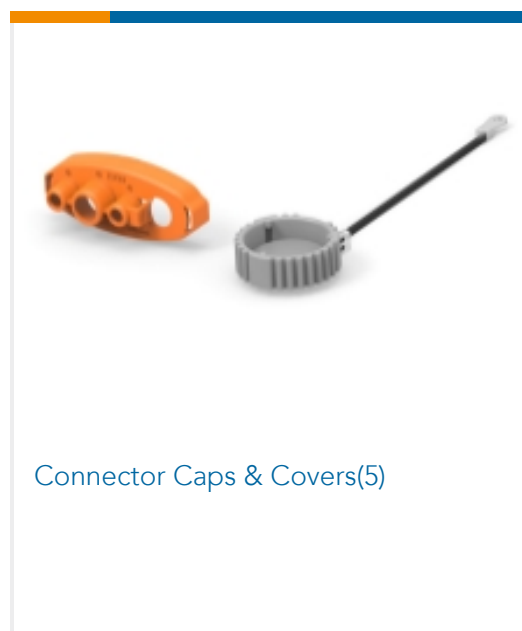
Product Compliance Disclaimer

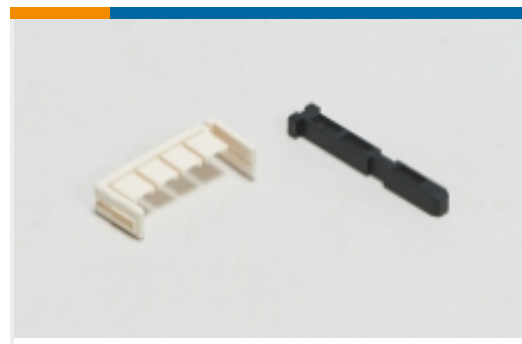
This information is provided based on reasonable inquiry of our suppliers and represents our current actual knowledge based on the information they provided. This information is subject to change. The part numbers that TE has identified as EU RoHS compliant have a maximum concentration of 0.1% by weight in homogenous materials for lead, hexavalent chromium, mercury, PBB, PBDE, DBP, BBP, DEHP, DIBP, and 0.01% for cadmium, or qualify for an exemption to these limits as defined in the Annexes of Directive 2011/65/EU (RoHS2). Finished electrical and electronic equipment products will be CE marked as required by Directive 2011/65/EU. Components may not be CE marked. Additionally, the part numbers that TE has identified as EU ELV compliant have a maximum concentration of 0.1% by weight in homogenous materials for lead, hexavalent chromium, and mercury, and 0.01% for cadmium, or qualify for an exemption to these limits as defined in the Annexes of Directive 2000/53/EC (ELV). Regarding the REACH Regulation, the information TE provides on SVHC in articles for this part number is based on the latest European Chemicals Agency (ECHA) 'Guidance on requirements for substances in articles' posted at this URL: <https://echa.europa.eu/guidance-documents/guidance-on-reach>

## Compatible Parts

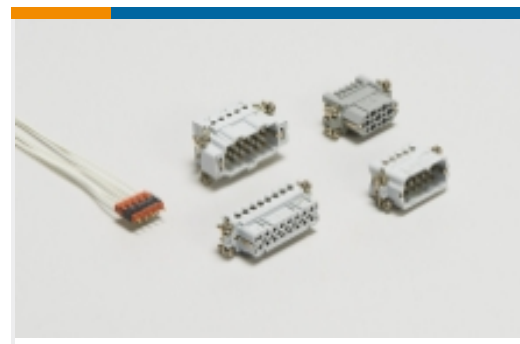


## Also in the Series | AMP Metrimate





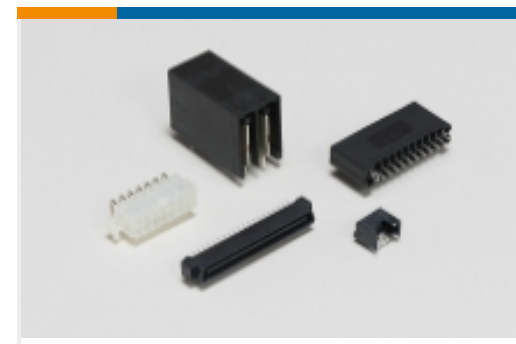
Rectangular Connector Keying Plugs(1)



Rectangular Contact Inserts(4)

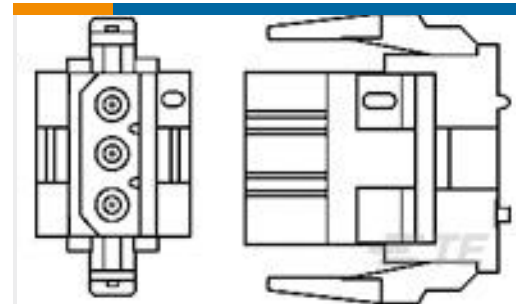
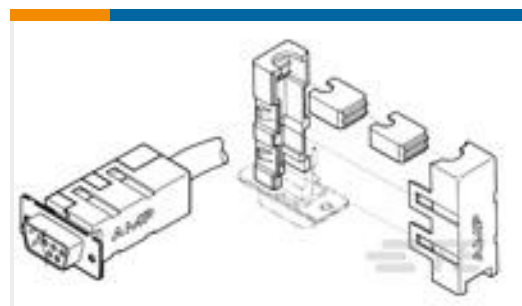
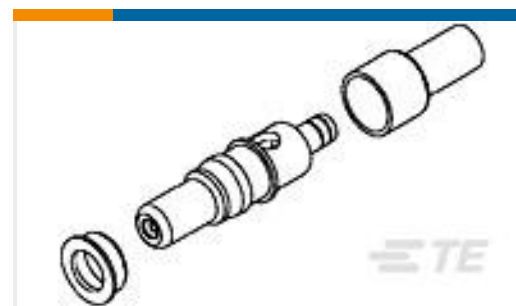
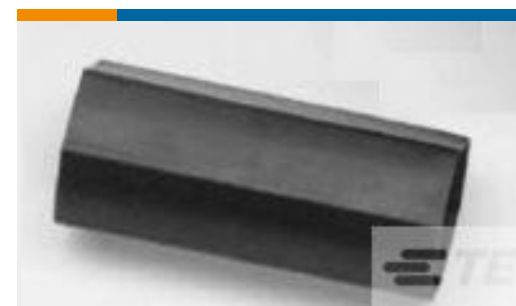


Rectangular Power Connectors(2)



Standard Rectangular Connectors(5)

## Customers Also Bought

TE Part #206152-1  
CPC RECPT ASSEMBLY SIZE 17-28TE Part #66507-9  
PIN CONTACT, 20 DFTE Part #1-640517-0  
02P MR II PLUG HSGTE Part #212498-1  
PLUG ASSY,9C4,AMPLIMITETE Part #745560-1  
AMPLI CABLE CLAMP KIT,SZ 3TE Part #382382-000  
44A0121-20-0/9TE Part #5-228618-1  
PIN,STRAIGHT,SIZE 8,AMPLIMITETE Part #631938-000  
HRHT-1/3TE Part #208130-1  
CPC RECPT ASSEMBLY SIZE 11-4

## Documents

### Product Drawings

[RECPT HSG,8 POWER,METRIMATE](#)

English

### CAD Files

[3D PDF](#)

3D

[Customer View Model](#)

[ENG\\_CVM\\_CVM\\_213500-3\\_R.2d\\_dxf.zip](#)



English

**Customer View Model**

[ENG\\_CVM\\_CVM\\_213500-3\\_R.3d\\_igs.zip](#)

English

**Customer View Model**

[ENG\\_CVM\\_CVM\\_213500-3\\_R.3d\\_stp.zip](#)

English

By downloading the CAD file I accept and agree to the [Terms and Conditions](#) of use.

---

## Datasheets & Catalog Pages

**Power Contacts**

English

[METRIMATE\\_PIN\\_SOCKET\\_CATALOG](#)

English

---

## Product Specifications

**Product Specification**

English

[Connector, Metrimate Power Drawer With Powerband Contacts](#)

English

---

## Agency Approvals

**Agency Approval Document**

English