

213500-1 ✓ ACTIVE

AMP | AMP Metrimate

TE Internal #: 213500-1

Rectangular Connector Housings, Wire-to-Panel / Wire-to-Wire, 8 Position, .315 in [8 mm] Centerline, 3 Row, Polyester GF, Receptacle, AMP Metrimate

[View on TE.com >](#)



Connectors > Rectangular Connectors > Rectangular Connector Housings



Connector System: **Wire-to-Panel, Wire-to-Wire**

Number of Positions: **8**

Centerline (Pitch): **8 mm [.315 in]**

Number of Rows: **3**

Housing Material: **Polyester GF**

Features

Product Type Features

Compatible With Discrete Wire Type	Stranded
Connector System	Wire-to-Panel, Wire-to-Wire
Connector & Housing Type	Receptacle
Sealable	No
Connector & Contact Terminates To	Wire & Cable

Configuration Features

Compatible With Wire & Cable Type	Discrete Wire
Number of Positions	8
Number of Rows	3

Electrical Characteristics

Operating Voltage	600 VAC
-------------------	---------

Contact Features

Contact Type	Pin
Contact Current Rating (Max)	55 A



Mechanical Attachment

Panel Mount Feature Type	Screw Mount
Connector Mounting Type	Panel Mount

Housing Features

Housing Color	Black
Centerline (Pitch)	8 mm [.315 in]
Housing Material	Polyester GF

Dimensions

Panel Thickness (Recommended)	.8 – 2.3 mm [.031 – .091 in]
Connector Height	30.78 mm
Product Width	54.61 mm
Product Length	56.26 mm
Row-to-Row Spacing	7.77 mm [.306 in]

Usage Conditions

Operating Temperature Range	-55 – 130 °C [-67 – 266 °F]
-----------------------------	-----------------------------

Operation/Application

Circuit Application	Power
---------------------	-------

Industry Standards

CSA Rating	LR 16455
Agency/Standard	CSA, UL, VDE
Approved Standards	UL E28476
UL Flammability Rating	UL 94V-0

Packaging Features

Packaging Quantity	1
Packaging Method	Package

Product Compliance

[For compliance documentation, visit the product page on TE.com>](#)

EU RoHS Directive 2011/65/EU	Compliant
EU ELV Directive 2000/53/EC	Compliant
China RoHS 2 Directive MIIT Order No 32, 2016	No Restricted Materials Above Threshold



EU REACH Regulation (EC) No. 1907/2006

Current ECHA Candidate List: JUNE 2023 (235)

Candidate List Declared Against: JUNE 2023 (235)

Does not contain REACH SVHC

Halogen Content

Not Low Halogen - contains Br or Cl > 900 ppm.

Solder Process Capability

Wave solder capable to 265°C

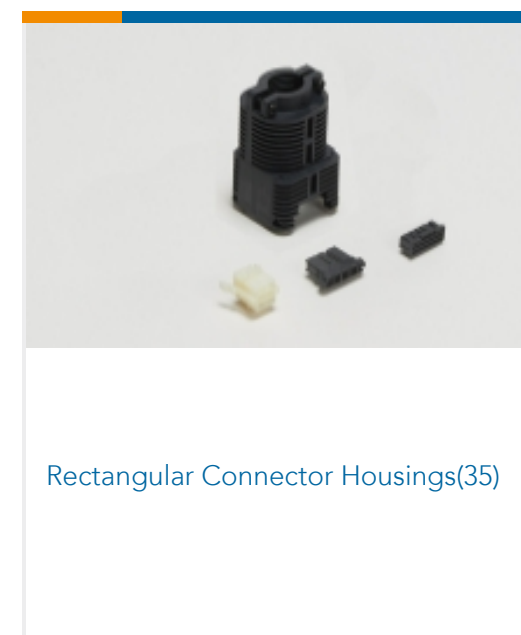
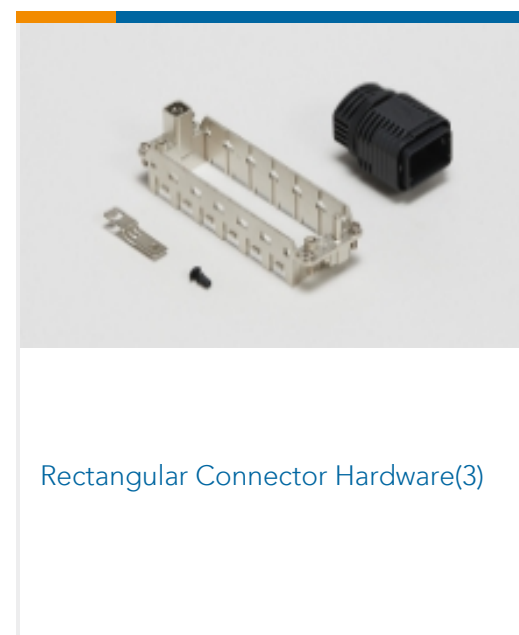
Product Compliance Disclaimer

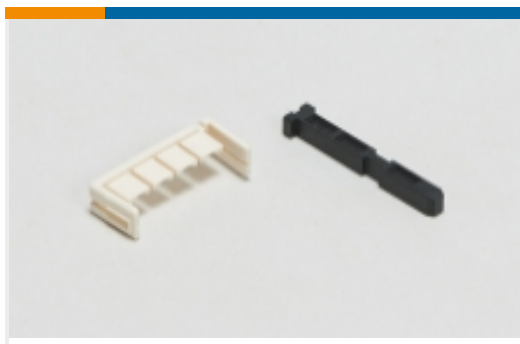
This information is provided based on reasonable inquiry of our suppliers and represents our current actual knowledge based on the information they provided. This information is subject to change. The part numbers that TE has identified as EU RoHS compliant have a maximum concentration of 0.1% by weight in homogenous materials for lead, hexavalent chromium, mercury, PBB, PBDE, DBP, BBP, DEHP, DIBP, and 0.01% for cadmium, or qualify for an exemption to these limits as defined in the Annexes of Directive 2011/65/EU (RoHS2). Finished electrical and electronic equipment products will be CE marked as required by Directive 2011/65/EU. Components may not be CE marked. Additionally, the part numbers that TE has identified as EU ELV compliant have a maximum concentration of 0.1% by weight in homogenous materials for lead, hexavalent chromium, and mercury, and 0.01% for cadmium, or qualify for an exemption to these limits as defined in the Annexes of Directive 2000/53/EC (ELV). Regarding the REACH Regulation, the information TE provides on SVHC in articles for this part number is based on the latest European Chemicals Agency (ECHA) 'Guidance on requirements for substances in articles' posted at this URL: <https://echa.europa.eu/guidance-documents/guidance-on-reach>

Compatible Parts



Also in the Series | AMP Metrimate





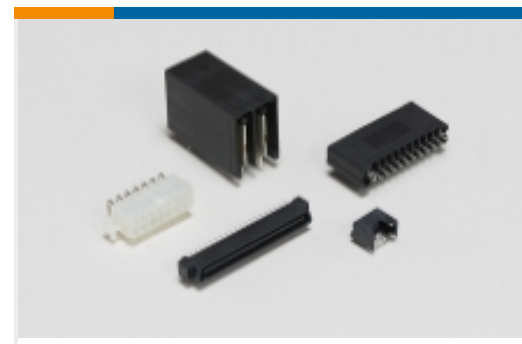
Rectangular Connector Keying Plugs(1)



Rectangular Contact Inserts(4)



Rectangular Power Connectors(2)



Standard Rectangular Connectors(5)

Customers Also Bought



TE Part #208472-1
CMC PLUG ASSEMBLY, SZ 28



TE Part #213841-2
POWERBAND Contacts



TE Part #66428-4
III+ SKT, 30-26, 30AU/FL, LP



TE Part #207088-1
METRIMATE, STR REL KIT, 24P



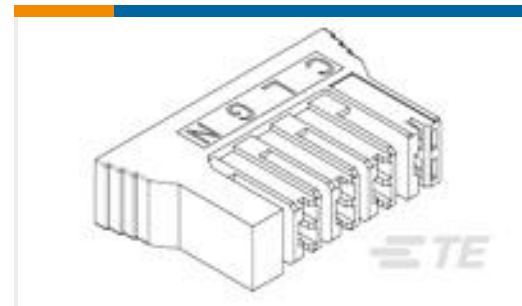
TE Part #53241-1
PG SPR SPD 22-16COMM 22-18MIL8



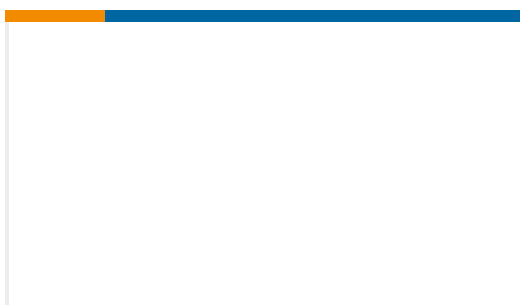
TE Part #770024-1
02P UMNLI IN-LINE CAP HSG KIT



TE Part #321035
PIDG 26-22 SPADE #4 STUD



TE Part #521781-1
250 HSG. PL MKIII REC. 6.81mm 4P NAT



TE Part #C0-0235-000-000
DIGITAL CRIMPING TOOL, SMALL

Documents

Product Drawings

[RECPT HSG, 8 POWER, METRIMATE](#)

English

CAD Files

[3D PDF](#)

[3D](#)

[Customer View Model](#)

[ENG_CVM_CVM_213500-1_R.2d_dxf.zip](#)



English

Customer View Model

[ENG_CVM_CVM_213500-1_R.3d_igs.zip](#)

English

Customer View Model

[ENG_CVM_CVM_213500-1_R.3d_stp.zip](#)

English

By downloading the CAD file I accept and agree to the [Terms and Conditions](#) of use.

Datasheets & Catalog Pages

Power Contacts

English

[METRIMATE_PIN_SOCKET_CATALOG](#)

English

Product Specifications

Application Specification

English

Product Environmental Compliance

Product Compliance Document

English

Product Compliance Document

English

Agency Approvals

Agency Approval Document

English