

2134078-1 ✓ ACTIVE

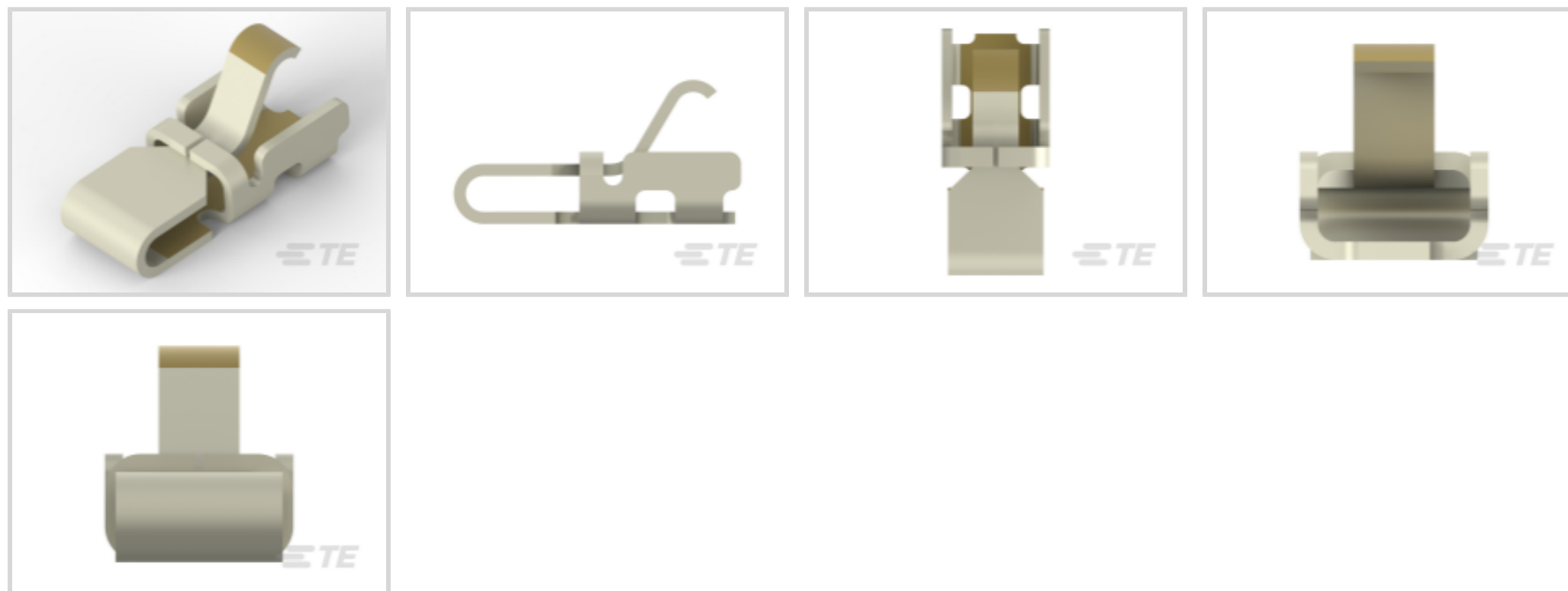
TE Internal #: 2134078-1

PCB Spring Contact, Preloaded - C-Clip, Side Protected,
Uncompressed Height 1.2 mm [.047 in], Length 2.4 mm [.094 in],
Width 1.05 mm [.041 in]

[View on TE.com >](#)



Connectors > PCB Connectors > Board-to-Board Connectors > PCB Spring Contacts



Spring Finger Type: **Preloaded - C-Clip**

Scalable: **No**

Side Protected: **Yes**

Uncompressed Height: **1.2 mm [.047 in]**

Product Length: **2.4 mm [.094 in]**

Features

Product Type Features

Spring Finger Type	Preloaded - C-Clip
Scalable	No
Connector System	Board-to-Board
Connector & Contact Terminates To	Printed Circuit Board

Configuration Features

Side Protected	Yes
Number of Positions	1

Contact Features

Contact Underplating Material	Nickel
PCB Contact Termination Area Plating Material	Gold
Contact Base Material	Copper Alloy
Contact Working Range (Low)	.7 mm [.028 in]
Contact Working Range (High)	1 mm [.039 in]
Point of Contact Area Plating Material	Gold



Contact Current Rating (Max)	1.5 A
------------------------------	-------

Dimensions

Uncompressed Height	1.2 mm [.047 in]
Product Length	2.4 mm [.094 in]
Product Width	1.05 mm [.041 in]

Usage Conditions

Operating Temperature Range	-40 – 85 °C [-40 – 185 °F]
-----------------------------	----------------------------

Operation/Application

Circuit Application	Signal
---------------------	--------

Packaging Features

Packaging Quantity	8000
Packaging Method	Tape & Reel

Product Compliance

[For compliance documentation, visit the product page on TE.com>](#)

EU RoHS Directive 2011/65/EU	Compliant
EU ELV Directive 2000/53/EC	Compliant
China RoHS 2 Directive MIIT Order No 32, 2016	No Restricted Materials Above Threshold
EU REACH Regulation (EC) No. 1907/2006	Current ECHA Candidate List: JUNE 2023 (235) Candidate List Declared Against: JUNE 2023 (235) Does not contain REACH SVHC
Halogen Content	Low Halogen - Br, Cl, F, I < 900 ppm per homogenous material. Also BFR/CFR/PVC Free
Solder Process Capability	Reflow solder capable to 260°C

Product Compliance Disclaimer

This information is provided based on reasonable inquiry of our suppliers and represents our current actual knowledge based on the information they provided. This information is subject to change. The part numbers that TE has identified as EU RoHS compliant have a maximum concentration of 0.1% by weight in homogenous materials for lead, hexavalent chromium, mercury, PBB, PBDE, DBP, BBP, DEHP, DIBP, and 0.01% for cadmium, or qualify for an exemption to these limits as defined in the Annexes of Directive 2011/65/EU (RoHS2). Finished electrical and electronic equipment products will be CE marked as required by Directive 2011/65/EU. Components may not be CE marked. Additionally, the part numbers that TE has identified as EU ELV compliant have a maximum concentration of 0.1% by weight in homogenous materials for lead, hexavalent chromium, and mercury, and 0.01% for cadmium, or qualify for an exemption to these limits as defined in the Annexes of Directive 2000/53/EC (ELV). Regarding the REACH Regulation, the information TE provides on SVHC in articles for this part number is based on the latest European Chemicals Agency (ECHA) 'Guidance on requirements for substances in articles' posted at this URL: <https://echa.europa.eu/guidance-documents/guidance-on-reach>

Compatible Parts



TE Part # 1447360-8
SHIELD FINGER 1312 A TYPE



TE Part # 1513430-1
PCB ANTENNA SINGLE BAND TAPE AND REELED

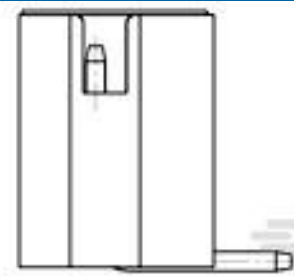


TE Part # 2305018-2
USB TYPE C, REC IPX8 ON BOARD DUAL SMT



TE Part # 2199001-1
SHIELD FINGER 1210 EMOSS PACKING

Customers Also Bought



TE Part #1775470-3
HPI CONN., 2.0MM, V/T, SMT, 3P, 80U"



TE Part #2176231-6
3522 16R 1% 3W




TE Part #4-2176057-3
RLP73K 3A R56 1% 1K RL



TE Part #2108610-5
1.4H SPRING FINGER WITH EMOSS



TE Part #1447360-8
SHIELD FINGER 1312 A TYPE



PITCH BATTERY



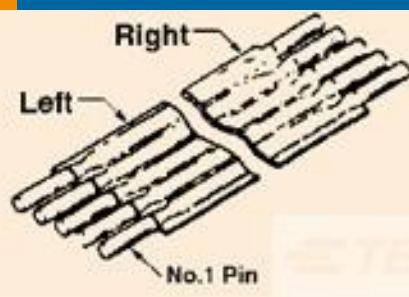
TE Part #1551631-5
1Shield Finger, Loose Piece



TE Part #1734300-1
SHIELD FINGER 3025-Z1-T



TE Part #2306334-3
SPRING FINGER 1.2H



TE Part #5-1437214-8
FSK-24A-6

Documents

Product Drawings

[SHILED FINGER 1210 EMOSS PACKING](#)

English

CAD Files

[3D PDF](#)



3D

Customer View Model

[ENG_CVM_CVM_2134078-1_B.2d_dxf.zip](#)

English

Customer View Model

[ENG_CVM_CVM_2134078-1_B.3d_igs.zip](#)

English

Customer View Model

[ENG_CVM_CVM_2134078-1_B.3d_stp.zip](#)

English

By downloading the CAD file I accept and agree to the [Terms and Conditions](#) of use.

Product Specifications

Product Specification

English

Product Environmental Compliance

[MD_2134078-1_06172016312_dmtec](#)

English

[MD_2134078-1_06172016312_dmtec](#)

English