

AMPSEAL

TE Internal #: 212980-1

TE Internal Description: PLUG,SEAL,ECMSC

[View on TE.com >](#)



Product Compliance

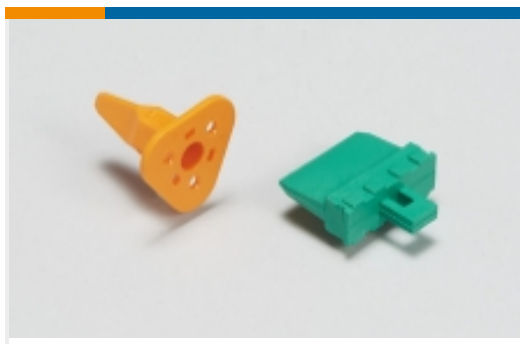
[For compliance documentation, visit the product page on TE.com>](#)

EU RoHS Directive 2011/65/EU	Compliant
EU ELV Directive 2000/53/EC	Compliant
China RoHS 2 Directive MIIT Order No 32, 2016	No Restricted Materials Above Threshold
EU REACH Regulation (EC) No. 1907/2006	Current ECHA Candidate List: JUNE 2023 (235) Candidate List Declared Against: JUNE 2023 (235) Does not contain REACH SVHC
Halogen Content	Not Low Halogen - contains Br or Cl > 900 ppm.
Solder Process Capability	Not reviewed for solder process capability

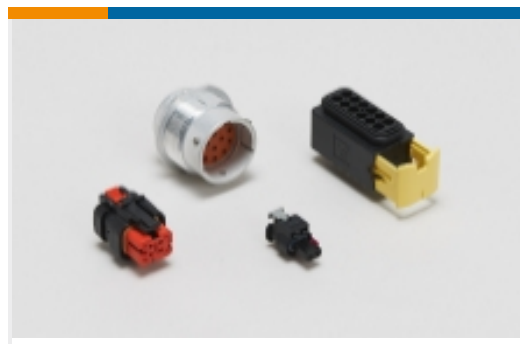
Product Compliance Disclaimer

This information is provided based on reasonable inquiry of our suppliers and represents our current actual knowledge based on the information they provided. This information is subject to change. The part numbers that TE has identified as EU RoHS compliant have a maximum concentration of 0.1% by weight in homogenous materials for lead, hexavalent chromium, mercury, PBB, PBDE, DBP, BBP, DEHP, DIBP, and 0.01% for cadmium, or qualify for an exemption to these limits as defined in the Annexes of Directive 2011/65/EU (RoHS2). Finished electrical and electronic equipment products will be CE marked as required by Directive 2011/65/EU. Components may not be CE marked. Additionally, the part numbers that TE has identified as EU ELV compliant have a maximum concentration of 0.1% by weight in homogenous materials for lead, hexavalent chromium, and mercury, and 0.01% for cadmium, or qualify for an exemption to these limits as defined in the Annexes of Directive 2000/53/EC (ELV). Regarding the REACH Regulation, the information TE provides on SVHC in articles for this part number is based on the latest European Chemicals Agency (ECHA) 'Guidance on requirements for substances in articles' posted at this URL: <https://echa.europa.eu/guidance-documents/guidance-on-reach>

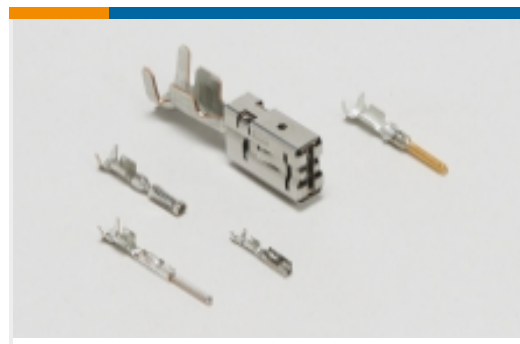
Also in the Series | [AMPSEAL](#)



Automotive Connector Locks & Position Assurance(1)



Automotive Housings(31)



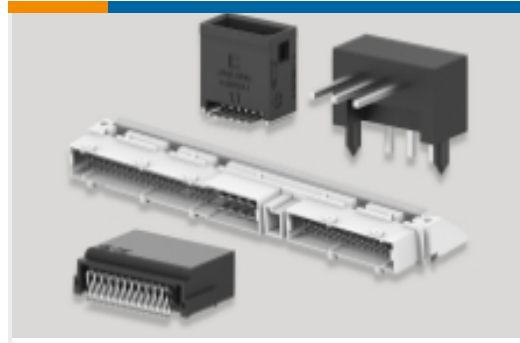
Automotive Terminals(8)



Connector Backshells(5)



Connector Seals & Cavity Plugs(1)



PCB Headers & Receptacles(115)

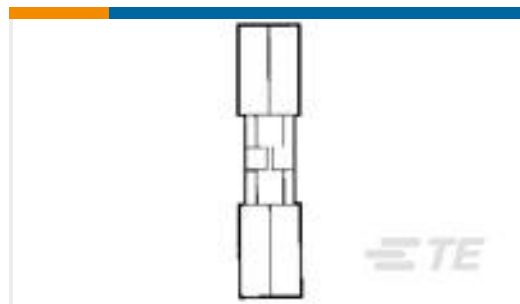
### Customers Also Bought



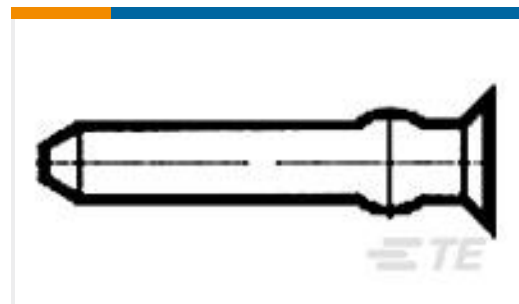
TE Part #321233  
TERMINAL,PIDG SPD 16-14 8



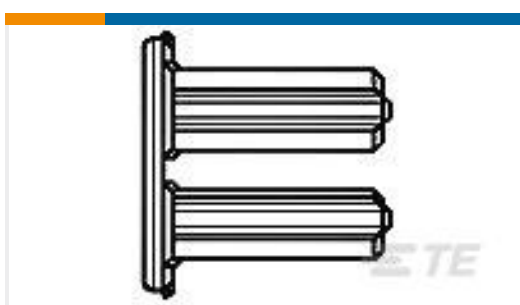
TE Part #130106  
TERM, RT, SOLIS, 16-14, M5



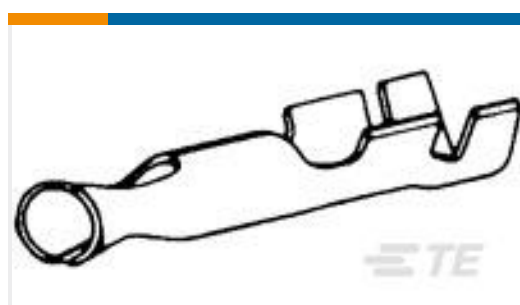
TE Part #321198  
SPLICE,SOLIS BUTT 26-22



TE Part #640629-1  
MTA156 KEYING PLUG



TE Part #967634-1  
2. RETAINER FOR 18POS



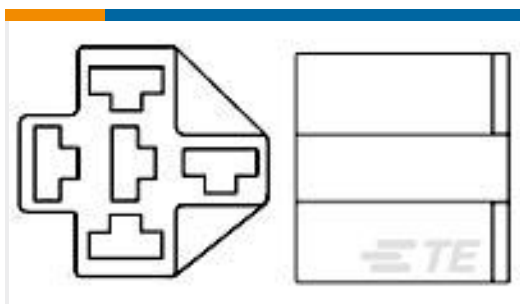
TE Part #42428-5  
PIN TERMINAL RECEPTACLE 24-20  
AWG TPPHBZ



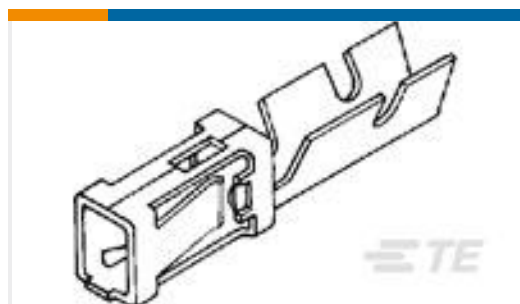
TE Part #696049-2  
PG 8 R 8, TAPE



TE Part #927770-1  
JPT REC 2.8 Contact SWS Sn



TE Part #3-1393310-7  
VCF4-1001=CONNECTOR,HOUSING



TE Part #102102-5  
MOD I RECP STMPD

### Documents



## Product Drawings

### PLUG,SEAL,ECMSC

English

---

## CAD Files

### 3D PDF

3D

#### Customer View Model

[ENG\\_CVM\\_CVM\\_212980-1\\_L\\_c-212980-1-l.2d\\_dxf.zip](#)

English

#### Customer View Model

[ENG\\_CVM\\_CVM\\_212980-1\\_L\\_c-212980-1-l.3d\\_igs.zip](#)

English

#### Customer View Model

[ENG\\_CVM\\_CVM\\_212980-1\\_L\\_c-212980-1-l.3d\\_stp.zip](#)

English

By downloading the CAD file I accept and agree to the [Terms and Conditions](#) of use.

---

## Datasheets & Catalog Pages

### AMPSEAL Connector Catalog

English

---

## Product Specifications

### Application Specification

English

---

## Instruction Sheets

### Instruction Sheet (U.S.)

English