

2129261-1 ✓ ACTIVE

CHAMP | CHAMP Docking Connectors

TE Internal #: 2129261-1

Docking Connectors, Plug, Cable-to-Board, 40 Position, .6 mm [.024 in] Centerline, 3 Row, 40 Signal Positions, CHAMP Docking Connectors

[View on TE.com >](#)



Connectors > Dock Connectors & Guide Hardware > Docking Connectors



Docking Connector Style: **Plug**

Connector System: **Cable-to-Board**

Number of Positions: **40**

Centerline (Pitch): **.6 mm [.024 in]**

Number of Rows: **3**

### Features

#### Product Type Features

Docking Connector Style	Plug
Connector System	Cable-to-Board
Sealable	No
Connector & Contact Terminates To	Printed Circuit Board

#### Configuration Features

Number of Positions	40
Number of Rows	3
Number of Signal Positions	40
Number of Power Positions	0
PCB Mount Orientation	Vertical

#### Body Features

Shell Base Material	Stainless Steel
---------------------	-----------------

#### Contact Features

Contact Mating Area Plating Material Thickness	.38 $\mu$ m
--	-------------



Contact Mating Area Plating Material	Gold
Contact Base Material	Copper Alloy
Number of Utility Contacts	0
Contact Current Rating (Max)	.5 A, 1 A

### Termination Features

Termination Post & Tail Length	1.7 mm[.067 in]
Termination Method to Printed Circuit Board	Surface Mount, Through Hole - Solder

### Mechanical Attachment

PCB Mount Alignment	With
PCB Mount Retention Type	Hold-Down Post
PCB Mount Retention	With
Connector Mounting Type	Board Mount

### Housing Features

Centerline (Pitch)	.6 mm[.024 in]
--------------------	----------------

### Usage Conditions

Operating Temperature Range	-40 – 85 °C[-40 – 185 °F]
-----------------------------	---------------------------

### Operation/Application

Circuit Application	Power & Signal
---------------------	----------------

### Industry Standards

UL Flammability Rating	UL 94V-0
------------------------	----------

### Packaging Features

Packaging Quantity	300
Packaging Method	Reel

### Product Compliance

[For compliance documentation, visit the product page on TE.com>](#)

EU RoHS Directive 2011/65/EU	Compliant
EU ELV Directive 2000/53/EC	Compliant
China RoHS 2 Directive MIIT Order No 32, 2016	No Restricted Materials Above Threshold
EU REACH Regulation (EC) No. 1907/2006	Current ECHA Candidate List: JUNE 2023 (235) Candidate List Declared Against: JUNE 2023 (235)



Does not contain REACH SVHC

Halogen Content

Low Halogen - Br, Cl, F, I < 900 ppm per homogenous material. Also BFR/CFR/PVC Free

Solder Process Capability

Reflow solder capable to 260°C

Product Compliance Disclaimer

This information is provided based on reasonable inquiry of our suppliers and represents our current actual knowledge based on the information they provided. This information is subject to change. The part numbers that TE has identified as EU RoHS compliant have a maximum concentration of 0.1% by weight in homogenous materials for lead, hexavalent chromium, mercury, PBB, PBDE, DBP, BBP, DEHP, DIBP, and 0.01% for cadmium, or qualify for an exemption to these limits as defined in the Annexes of Directive 2011/65/EU (RoHS2). Finished electrical and electronic equipment products will be CE marked as required by Directive 2011/65/EU. Components may not be CE marked. Additionally, the part numbers that TE has identified as EU ELV compliant have a maximum concentration of 0.1% by weight in homogenous materials for lead, hexavalent chromium, and mercury, and 0.01% for cadmium, or qualify for an exemption to these limits as defined in the Annexes of Directive 2000/53/EC (ELV). Regarding the REACH Regulation, the information TE provides on SVHC in articles for this part number is based on the latest European Chemicals Agency (ECHA) 'Guidance on requirements for substances in articles' posted at this URL: <https://echa.europa.eu/guidance-documents/guidance-on-reach>

## Compatible Parts



TE Part # 2129260-2  
REC ASSY 0.6mm CHAMP DOCKING C



TE Part # 2129260-1  
REC ASSY 0.6mm CHAMP DOCKING C



TE Part # 2129276-1  
PLUG ASSY 0.6mm CHAMP DOCKING



TE Part # 2129326-1  
REC ASSY 0.6mm CHAMP DOCKING CONN.40P



TE Part # 2129283-1  
PLUG ASSY 0.6mm CHAMP DOCKING CONN.40P

Also in the Series | **CHAMP Docking Connectors**



D-Sub Covers(28)



D-Sub Locking & Mounting(29)



Docking Connector Guide Hardware(5)



Docking Connectors(31)



IDC D-Sub Connectors(77)



PCB D-Sub Connectors(1)

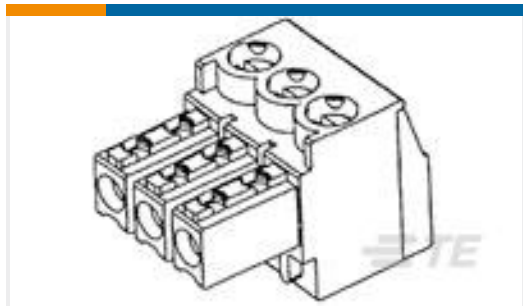
## Customers Also Bought



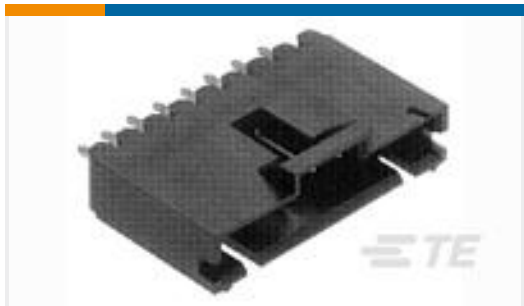
TE Part #440055-5  
2.0MM,HDR,5POS,R/A



TE Part #6-104074-0  
08 SYSTEM 50 HDR SRRA SHRD SN



TE Part #284506-6  
6 POS TERMI-BLOK PLUG STACK 3,



TE Part #103735-3  
04 MTE HDR SRST LATCH .100CL



TE Part #2-2213767-1  
AV19 SPL 5A MOVE RING LED WHITE  
12V



TE Part #487378-2  
003 HOUSING FFC RCPT 100CL SR



TE Part #5-103961-3  
5X4 MTE RCPT SR LATHC .100CL



TE Part #1-104071-0  
08 SYSTEM 50 HDR SRST SHRD

## Documents

[CAD Files](#)

[3D PDF](#)

[3D](#)

[Customer View Model](#)

[ENG\\_CVM\\_CVM\\_2129261-1\\_C.2d\\_dxf.zip](#)

English

[Customer View Model](#)

[ENG\\_CVM\\_CVM\\_2129261-1\\_C.3d\\_igs.zip](#)



English

**Customer View Model**

[ENG\\_CVM\\_CVM\\_2129261-1\\_C.3d\\_stp.zip](#)

English

By downloading the CAD file I accept and agree to the [Terms and Conditions](#) of use.

**Datasheets & Catalog Pages**

[6-1773457-9\\_CHAMP\\_DOCKING\\_CONNECTOR\\_QUICK\\_REFERENCE\\_GUIDE](#)

English

**Product Specifications**

[Product Specification](#)

English

**Product Environmental Compliance**

[Product Compliance Document](#)

English

[Product Compliance Document](#)

English