



## Antennas

Wireless Application: **Wi-Fi**Mounting Location: **Internal/Embedded**Mounting Type: **Surface Mount**Antenna Type: **Stamped Metal**Directionality: **Omnidirectional****Features****Configuration Features**

Antenna Style	Stamped
Mounting Location	Internal/Embedded
Antenna Type	Stamped Metal
Band Type	Single Band
Port Configuration	Single Port

**Electrical Characteristics**

Antenna Operation	Passive
VSWR (Max)	<2.5:1
Impedance	50 Ω

**Signal Characteristics**

Gain (Max)	4.9 dB
Frequency Band	4900 – 5875 MHz
Nominal Frequency Range	4900 – 5950
Peak Gain	3 < 6 dBi

**Body Features**

Product Weight	.2 g[.007 oz]
----------------	---------------

**Mechanical Attachment**

Polarization	Linear
Mounting Type	Surface Mount



### Dimensions

Product Width	4.25 mm[.167 in]
Product Length	11 mm[.433 in]
Product Height	4.9 mm[.193 in]

### Operation/Application

Wireless Standard	802.11 a/g/n/ac & Wi-Fi
Directionality	Omnidirectional

### Industry Standards

Wireless Application	Wi-Fi
Primary Application	Wi-Fi

### Product Availability

Applicable Region	Global
-------------------	--------

### Packaging Features

Packaging Method	Tape & Reel
------------------	-------------

### Other

Precision Level	Standard
-----------------	----------

## Product Compliance

[For compliance documentation, visit the product page on TE.com>](#)

EU RoHS Directive 2011/65/EU	Compliant
EU ELV Directive 2000/53/EC	Compliant
China RoHS 2 Directive MIIT Order No 32, 2016	No Restricted Materials Above Threshold
EU REACH Regulation (EC) No. 1907/2006	Current ECHA Candidate List: JUNE 2023 (235) Candidate List Declared Against: JAN 2023 (233) Does not contain REACH SVHC
Halogen Content	Low Halogen - Br, Cl, F, I < 900 ppm per homogenous material. Also BFR/CFR/PVC Free
Solder Process Capability	Reflow solder capable to 245°C

#### Product Compliance Disclaimer

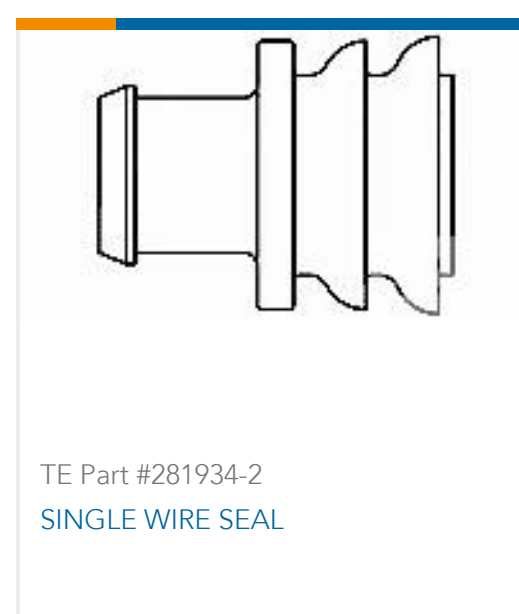
This information is provided based on reasonable inquiry of our suppliers and represents our current actual knowledge based on the information they provided. This information is subject to change. The part numbers that TE has identified as EU RoHS compliant have a maximum concentration of 0.1% by weight in homogenous materials for lead, hexavalent

chromium, mercury, PBB, PBDE, DBP, BBP, DEHP, DIBP, and 0.01% for cadmium, or qualify for an exemption to these limits as defined in the Annexes of Directive 2011/65/EU (RoHS2). Finished electrical and electronic equipment products will be CE marked as required by Directive 2011/65/EU. Components may not be CE marked. Additionally, the part numbers that TE has identified as EU ELV compliant have a maximum concentration of 0.1% by weight in homogenous materials for lead, hexavalent chromium, and mercury, and 0.01% for cadmium, or qualify for an exemption to these limits as defined in the Annexes of Directive 2000/53/EC (ELV). Regarding the REACH Regulation, the information TE provides on SVHC in articles for this part number is based on the latest European Chemicals Agency (ECHA) 'Guidance on requirements for substances in articles' posted at this URL: <https://echa.europa.eu/guidance-documents/guidance-on-reach>

## Compatible Parts



## Customers Also Bought



## Documents

### Product Drawings

Single Band WiFi, 5Ghz, Stamped, PCB Mt.

English

### CAD Files

3D PDF

3D

Customer View Model



[ENG\\_CVM\\_CVM\\_2118316-1\\_C.2d\\_dxf.zip](#)

English

**Customer View Model**

[ENG\\_CVM\\_CVM\\_2118316-1\\_C.3d\\_igs.zip](#)

English

**Customer View Model**

[ENG\\_CVM\\_CVM\\_2118316-1\\_C.3d\\_stp.zip](#)

English

By downloading the CAD file I accept and agree to the [Terms and Conditions](#) of use.

---

## Datasheets & Catalog Pages

[Antenna Data Sheet 4900-5875 MHz Single Band Antenna](#)

English

---

## Product Specifications

[Product Specification](#)

English