

2112302-1 ✓ ACTIVE

AMP | Heavy Duty Sealed Connector Series

TE Internal #: 2112302-1

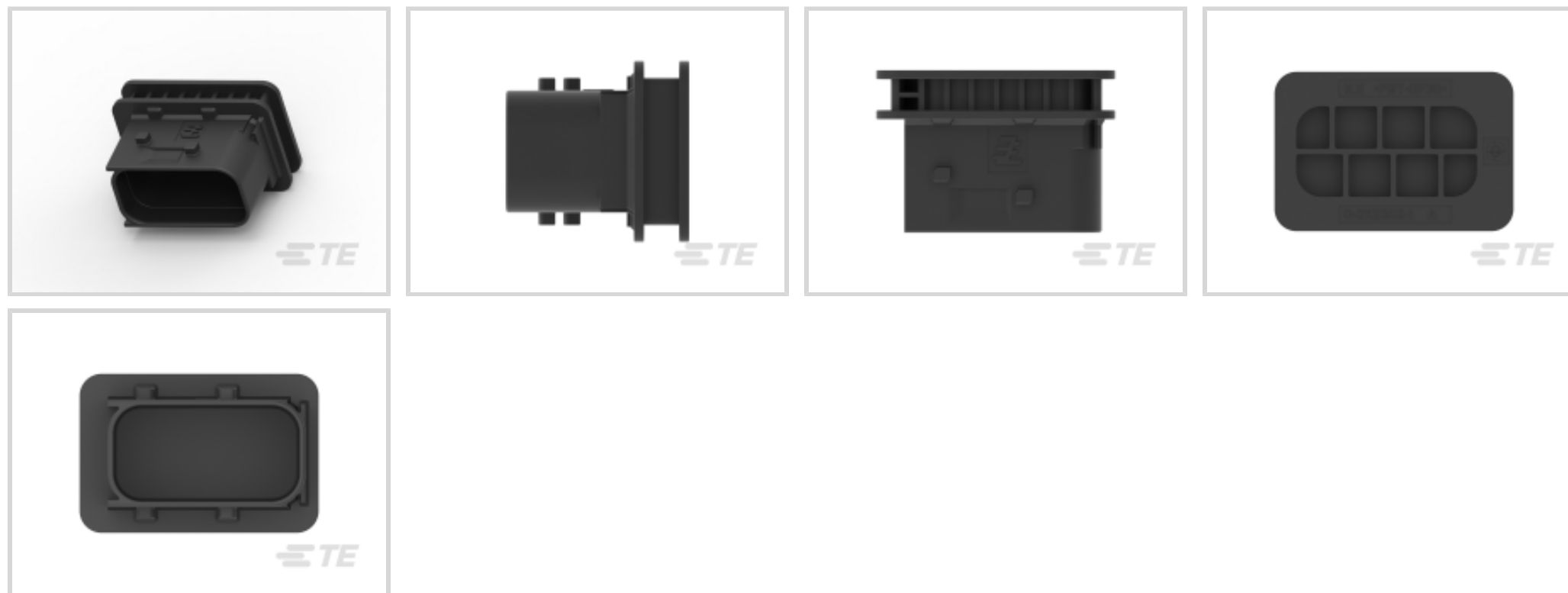
Automotive Connector Caps & Covers, Cover - Cable Exit, Cable Exit Angle 180°, Black, PA GF, 12 / 8 / 10 Position, Heavy Duty Sealed Connector Series

[View on TE.com >](#)



Connectors > Automotive Connectors > Automotive Connector Accessories > Automotive Connector Caps & Covers >

Heavy Duty Sealed Connector Series Cap



Protection & Strain Relief Accessory Type: **Cover - Cable Exit**

Cable Exit Angle: **180°**

Strain Relief: **Without**

Primary Product Color: **Black**

Primary Product Material: **PA GF**

[All Heavy Duty Sealed Connector Series Cap \(10\)](#)

Features

Product Type Features

| | |
|---|--------------------|
| Protection & Strain Relief Accessory Type | Cover - Cable Exit |
|---|--------------------|

Configuration Features

| | |
|---------------------|-----------|
| Number of Positions | 8, 10, 12 |
|---------------------|-----------|

Body Features

| | |
|--------------------------|-------|
| Cable Exit Angle | 180° |
| Primary Product Color | Black |
| Primary Product Material | PA GF |

Mechanical Attachment

| | |
|---------------|---------|
| Strain Relief | Without |
|---------------|---------|

Usage Conditions

| | |
|---------------------------------|------------------------------|
| Compatible With Connector Style | Housing For Female Terminals |
|---------------------------------|------------------------------|



| | |
|-----------------------------|--|
| Operating Temperature (Max) | 70 °C, 75 °C, 80 °C, 85 °C, 90 °C, 100 °C, 105 °C, 110 °C, 120 °C, 125 °C, 130 °C, 140 °C [158 °F][167 °F][176 °F][185 °F][194 °F][212 °F][221 °F][230 °F][248 °F][257 °F][266 °F][284 °F] |
|-----------------------------|--|

| | |
|-----------------------------|----------------------------|
| Operating Temperature Range | -40 – 140 °C[-40 – 284 °F] |
|-----------------------------|----------------------------|

Industry Standards

| | |
|------------------------|----------|
| UL Flammability Rating | UL 94V-0 |
|------------------------|----------|

Packaging Features

| | |
|--------------------|-----|
| Packaging Quantity | 500 |
|--------------------|-----|

| | |
|------------------|-----|
| Packaging Method | Box |
|------------------|-----|

Product Compliance

[For compliance documentation, visit the product page on TE.com>](#)

| | |
|------------------------------|-----------|
| EU RoHS Directive 2011/65/EU | Compliant |
|------------------------------|-----------|

| | |
|-----------------------------|-----------|
| EU ELV Directive 2000/53/EC | Compliant |
|-----------------------------|-----------|

| | |
|---|---|
| China RoHS 2 Directive MIIT Order No 32, 2016 | No Restricted Materials Above Threshold |
|---|---|

| | |
|--|---|
| EU REACH Regulation (EC) No. 1907/2006 | Current ECHA Candidate List: JUNE 2023 (235) Candidate List Declared Against: JUNE 2023 (235) Does not contain REACH SVHC |
|--|---|

| | |
|-----------------|--|
| Halogen Content | Not Low Halogen - contains Br or Cl > 900 ppm. |
|-----------------|--|

| | |
|---------------------------|--|
| Solder Process Capability | Not applicable for solder process capability |
|---------------------------|--|

Product Compliance Disclaimer

This information is provided based on reasonable inquiry of our suppliers and represents our current actual knowledge based on the information they provided. This information is subject to change. The part numbers that TE has identified as EU RoHS compliant have a maximum concentration of 0.1% by weight in homogenous materials for lead, hexavalent chromium, mercury, PBB, PBDE, DBP, BBP, DEHP, DIBP, and 0.01% for cadmium, or qualify for an exemption to these limits as defined in the Annexes of Directive 2011/65/EU (RoHS2). Finished electrical and electronic equipment products will be CE marked as required by Directive 2011/65/EU. Components may not be CE marked. Additionally, the part numbers that TE has identified as EU ELV compliant have a maximum concentration of 0.1% by weight in homogenous materials for lead, hexavalent chromium, and mercury, and 0.01% for cadmium, or qualify for an exemption to these limits as defined in the Annexes of Directive 2000/53/EC (ELV). Regarding the REACH Regulation, the information TE provides on SVHC in articles for this part number is based on the latest European Chemicals Agency (ECHA) 'Guidance on requirements for substances in articles' posted at this URL: <https://echa.europa.eu/guidance-documents/guidance-on-reach>

Compatible Parts




TE Part # CAT-H3399-CH8172
Heavy Duty Sealed Connector Series Housings



TE Part # 2317070-1
SLIDE,PIN HSG ASSY



TE Part # 9-2331355-1
HD MATEnet 1+6 REC. HSG ASSY, GRP D



TE Part # 9-2331355-2
HD MATEnet 1+6 REC. HSG ASSY, GRP D




TE Part # 9-2331355-3
HDSENET 1+6 REC. HSG ASSY D




TE Part # 9-2331355-4
HDSENET 1+6 REC. HSG ASSY D


Also in the Series | Heavy Duty Sealed Connector Series



Automotive Connector Caps & Covers (25)



Automotive Housings(207)




Connector Seals & Cavity Plugs(5)



Data Connectivity Headers(2)



Data Connectivity Housings(18)



Other Automotive Connector Accessories(34)



PCB Headers & Receptacles(1)

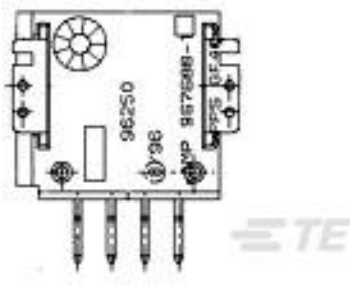
Customers Also Bought



TE Part #776537-3
AMPSEAL 16 Housings



TE Part #2112295-1
Heavy Duty Sealed Connector Series Cap



TE Part #967688-1
4pos MQS .63 header 90deg SMD



TE Part #1617126-4
JMAWD-26XL = M39016/15-033L



Documents

Product Drawings

[PROTECTION CAP, FOR REC.HSG GROUP D](#)

English

CAD Files

[3D PDF](#)

3D

[Customer View Model](#)

[ENG_CVM_CVM_2112302-1_A.2d_dxf.zip](#)

English

[Customer View Model](#)

[ENG_CVM_CVM_2112302-1_A.3d_igs.zip](#)

English

[Customer View Model](#)

[ENG_CVM_CVM_2112302-1_A.3d_stp.zip](#)

English

By downloading the CAD file I accept and agree to the [Terms and Conditions](#) of use.

Datasheets & Catalog Pages

[HDSCS Catalog](#)

English

[ICT Terminals and Connectors Catalogue](#)

English

[CONNECTOR SELECTOR](#)

English

Product Specifications

[Application Specification](#)

English