

2112045-1 ✓ ACTIVE

AMP | LEAVYSEAL

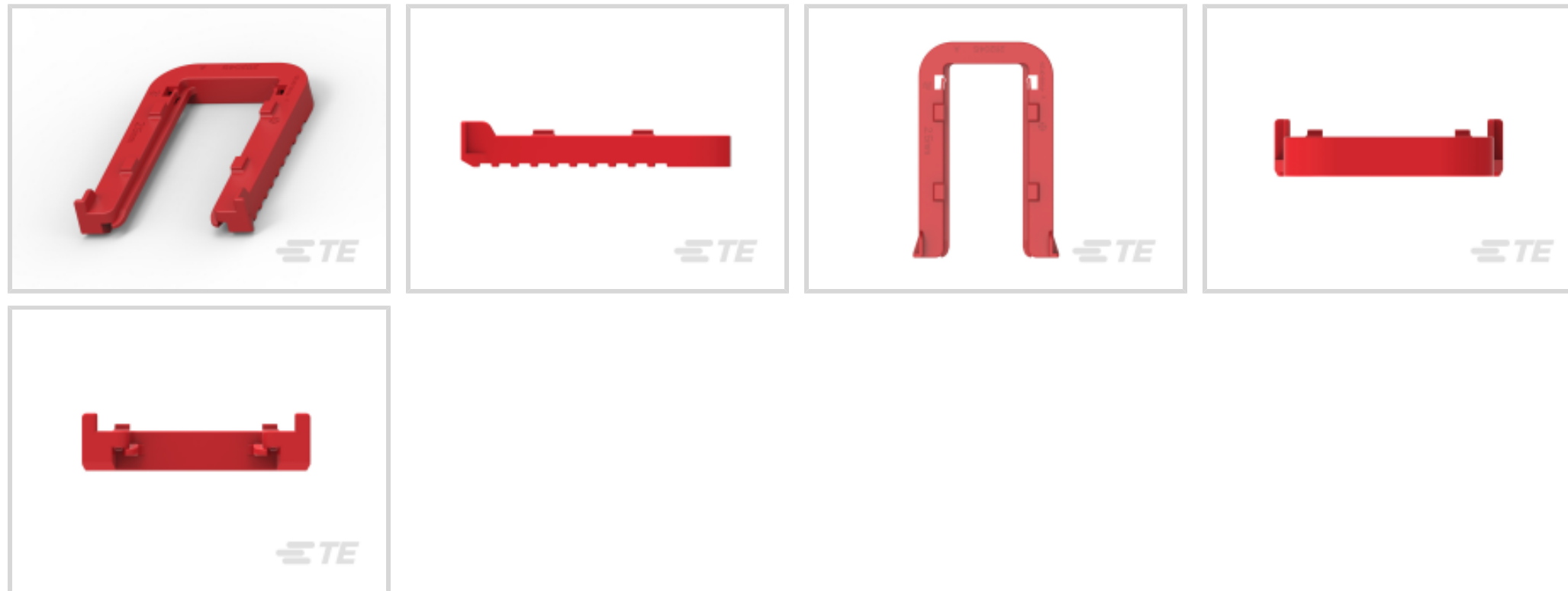
TE Internal #: 2112045-1

Other Automotive Connector Accessories, Mounting Clip, PA GF,
Red, -40 – 130 °C [-40 – 266 °F], LEAVYSEAL

[View on TE.com >](#)



Connectors > Automotive Connectors > Automotive Connector Accessories > Other Automotive Connector Accessories > LEAVYSEAL Locking Slides



Automotive Connector Accessory Type: **Mounting Clip**

Primary Product Material: **PA GF**

Primary Product Color: **Red**

Operating Temperature Range: **-40 – 130 °C [-40 – 266 °F]**

[All LEAVYSEAL Locking Slides \(7\)](#)

Features

Product Type Features

Automotive Connector Accessory Type	Mounting Clip
-------------------------------------	---------------

Body Features

Primary Product Material	PA GF
--------------------------	-------

Primary Product Color	Red
-----------------------	-----

Usage Conditions

Compatible With Connector Style	Housing For Male Terminals
---------------------------------	----------------------------

Operating Temperature Range	-40 – 130 °C[-40 – 266 °F]
-----------------------------	----------------------------

Industry Standards

UL Flammability Rating	UL 94V-0
------------------------	----------

Packaging Features

Packaging Quantity	750
--------------------	-----

Packaging Method	Box
------------------	-----

Other



Serviceable	Yes
-------------	-----

Product Compliance

[For compliance documentation, visit the product page on TE.com>](#)

EU RoHS Directive 2011/65/EU	Compliant
EU ELV Directive 2000/53/EC	Compliant
China RoHS 2 Directive MIIT Order No 32, 2016	No Restricted Materials Above Threshold
EU REACH Regulation (EC) No. 1907/2006	Current ECHA Candidate List: JUNE 2023 (235) Candidate List Declared Against: JUNE 2023 (235) Does not contain REACH SVHC
Halogen Content	BFR/CFR/PVC Free, but Br/Cl >900 ppm in other sources.
Solder Process Capability	Not applicable for solder process capability

Product Compliance Disclaimer

This information is provided based on reasonable inquiry of our suppliers and represents our current actual knowledge based on the information they provided. This information is subject to change. The part numbers that TE has identified as EU RoHS compliant have a maximum concentration of 0.1% by weight in homogenous materials for lead, hexavalent chromium, mercury, PBB, PBDE, DBP, BBP, DEHP, DIBP, and 0.01% for cadmium, or qualify for an exemption to these limits as defined in the Annexes of Directive 2011/65/EU (RoHS2). Finished electrical and electronic equipment products will be CE marked as required by Directive 2011/65/EU. Components may not be CE marked. Additionally, the part numbers that TE has identified as EU ELV compliant have a maximum concentration of 0.1% by weight in homogenous materials for lead, hexavalent chromium, and mercury, and 0.01% for cadmium, or qualify for an exemption to these limits as defined in the Annexes of Directive 2000/53/EC (ELV). Regarding the REACH Regulation, the information TE provides on SVHC in articles for this part number is based on the latest European Chemicals Agency (ECHA) 'Guidance on requirements for substances in articles' posted at this URL: <https://echa.europa.eu/guidance-documents/guidance-on-reach>

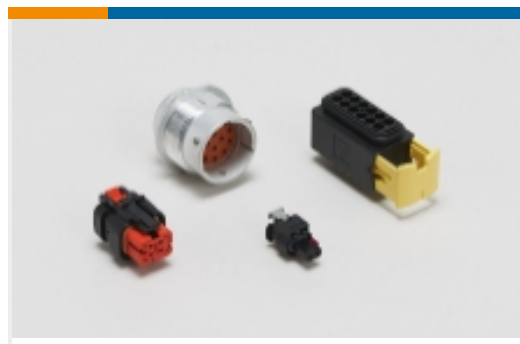
Compatible Parts



Also in the Series | **LEAVYSEAL**



Automotive Connector Caps & Covers (17)



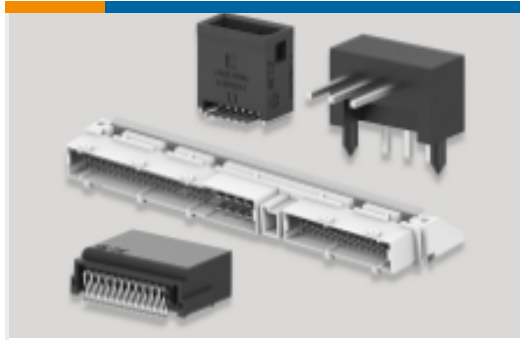
Automotive Housings(79)



Insertion & Extraction Tools(5)



Other Automotive Connector Accessories(15)

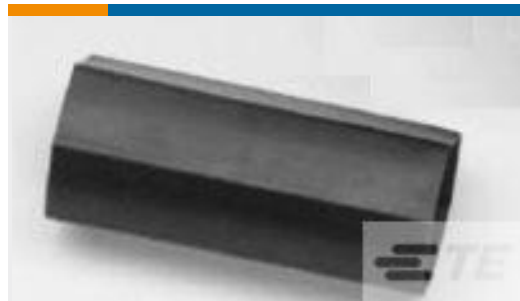


PCB Headers & Receptacles(16)

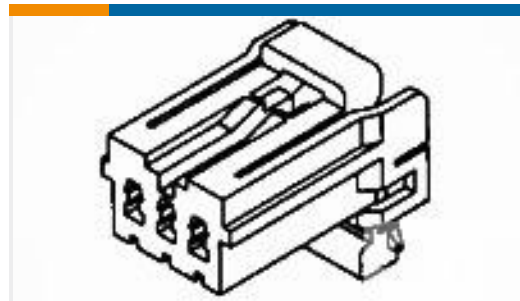
Customers Also Bought



TE Part #2112166-2
LEAVYSEAL Locking Slides



TE Part #CB5147-000
HRSR-175FR-10



TE Part #1-174923-1
070 MLC W-W PLUG HSG 6P F/A



TE Part #1823444-2
ADAPTER, FOR A-PILLAR, ASSY



TE Part #284366-1
40 POS. MALE CONN. ASSY -NAT.



TE Part #1587987-8
RECEPTACLE ASSEMBLY, 200A, MSD



TE Part #2103212-8
Plug Assembly, 200A, MSD



TE Part #8-2337030-2
FLAP, ASSY COMBO 2, LEFT



TE Part #284436-1
COVER FOR 40 POS. FEMALE HSG

Documents



Product Drawings

SLIDE, FOR 26POS TAB HSG

English

CAD Files

3D PDF

3D

Customer View Model

[ENG_CVM_CVM_2112045-1_A_c-2112045-1-a.2d_dxf.zip](#)

English

Customer View Model

[ENG_CVM_CVM_2112045-1_A_c-2112045-1-a.3d_igs.zip](#)

English

Customer View Model

[ENG_CVM_CVM_2112045-1_A_c-2112045-1-a.3d_stp.zip](#)

English

By downloading the CAD file I accept and agree to the [Terms and Conditions](#) of use.

Datasheets & Catalog Pages

CONNECTOR SELECTOR

English

Product Specifications

Application Specification

German