

2106212-1 ✓ ACTIVE

## LUMAWISE

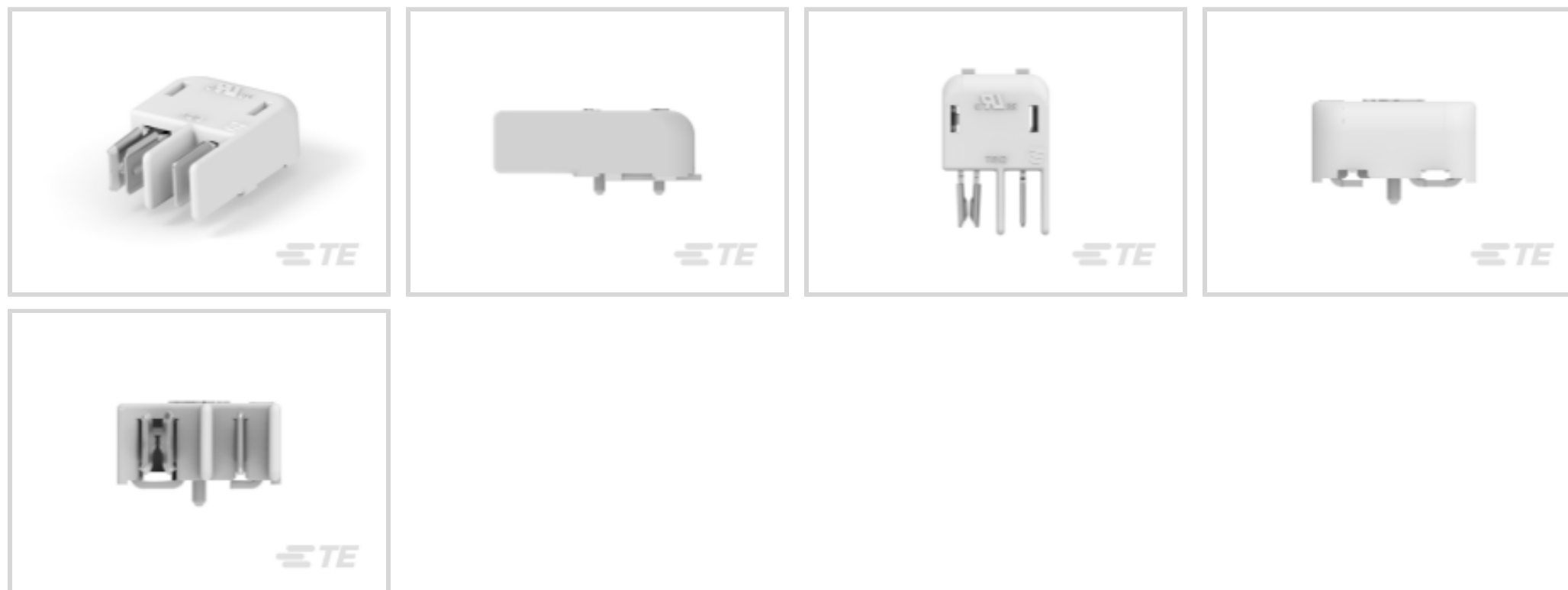
TE Internal #: 2106212-1

PCB Mount Hermaphroditic Connector, Horizontal, Board-to-Board, 2 Position, 4 mm Centerline, Tin, Surface Mount, Power & Signal, Natural

[View on TE.com >](#)



Connectors > PCB Connectors > PCB Headers & Receptacles



PCB Connector Assembly Type: **PCB Mount Hermaphroditic Connector**

PCB Mount Orientation: **Horizontal**

Connector System: **Board-to-Board**

Number of Positions: **2**

Number of Rows: **1**

### Features

#### Product Type Features

|                             |                                    |
|-----------------------------|------------------------------------|
| PCB Connector Assembly Type | PCB Mount Hermaphroditic Connector |
| Connector System            | Board-to-Board                     |
| Sealable                    | No                                 |

#### Configuration Features

|                       |            |
|-----------------------|------------|
| PCB Mount Orientation | Horizontal |
| Number of Positions   | 2          |
| Number of Rows        | 1          |

#### Body Features

|                       |         |
|-----------------------|---------|
| Primary Product Color | Natural |
|-----------------------|---------|

#### Contact Features

|   |                 |
|---|-----------------|
| Mating Tab Width                            | 3.05 mm[.12 in] |
| Mating Tab Thickness                        | .4 mm[.016 in]  |
| Contact Mating Area Plating Material Finish | Matte           |
| Contact Underplating Material               | Nickel          |



|  |                |
|--|----------------|
| Contact Mating Area Plating Material           | Tin            |
| Contact Mating Area Plating Material Thickness | 3.81 – 8.89 µm |
| Contact Type                                   | Hermaphroditic |
| Contact Current Rating (Max)                   | 6 A            |

### Termination Features

|   |                |
|---|----------------|
| Rectangular Termination Post & Tail Thickness | .4 mm[.016 in] |
| Rectangular Termination Post & Tail Width     | 1 mm[.039 in]  |
| Termination Method to Printed Circuit Board   | Surface Mount  |

### Mechanical Attachment

|                          |             |
|--------------------------|-------------|
| PCB Mount Alignment Type | Peg         |
| Mating Retention         | Without     |
| PCB Mount Retention Type | Solder Peg  |
| PCB Mount Retention      | Without     |
| PCB Mount Alignment      | With        |
| Connector Mounting Type  | Board Mount |

### Housing Features

|                    |      |
|--------------------|------|
| Centerline (Pitch) | 4 mm |
| Housing Material   | LCP  |

### Usage Conditions

|                             |              |
|-----------------------------|--------------|
| Operating Temperature Range | -40 – 105 °C |
|-----------------------------|--------------|

### Operation/Application

|                     |                |
|---------------------|----------------|
| Circuit Application | Power & Signal |
|---------------------|----------------|

### Industry Standards

|                        |          |
|------------------------|----------|
| UL Flammability Rating | UL 94V-0 |
|------------------------|----------|

### Packaging Features

|                |             |
|----------------|-------------|
| Packaging Type | Pocket Tape |
|----------------|-------------|

### Product Compliance

For compliance documentation, visit the product page on [TE.com](https://www.te.com)>

|                              |           |
|------------------------------|-----------|
| EU RoHS Directive 2011/65/EU | Compliant |
| EU ELV Directive 2000/53/EC  | Compliant |



|   |  |
|---|--|
| China RoHS 2 Directive MIIT Order No 32, 2016 | No Restricted Materials Above Threshold  |
| EU REACH Regulation (EC) No. 1907/2006        | Current ECHA Candidate List: JUNE 2023 (235)<br>Candidate List Declared Against: JAN 2021 (211)<br>Does not contain REACH SVHC |
| Halogen Content                               | Not Yet Reviewed for halogen content   |
| Solder Process Capability                     | Reflow solder capable to 260°C   |

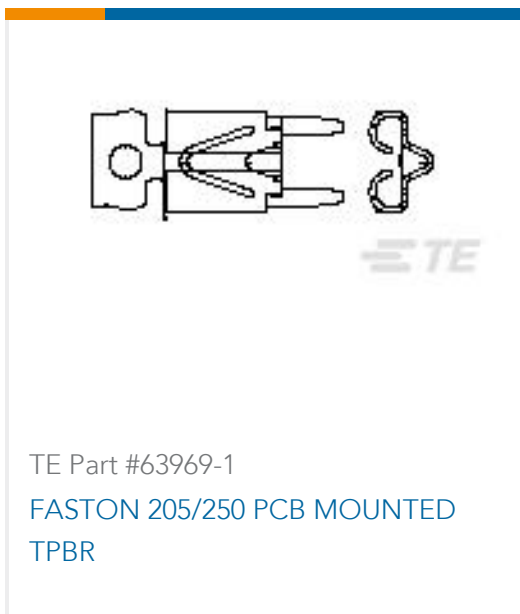
Product Compliance Disclaimer

This information is provided based on reasonable inquiry of our suppliers and represents our current actual knowledge based on the information they provided. This information is subject to change. The part numbers that TE has identified as EU RoHS compliant have a maximum concentration of 0.1% by weight in homogenous materials for lead, hexavalent chromium, mercury, PBB, PBDE, DBP, BBP, DEHP, DIBP, and 0.01% for cadmium, or qualify for an exemption to these limits as defined in the Annexes of Directive 2011/65/EU (RoHS2). Finished electrical and electronic equipment products will be CE marked as required by Directive 2011/65/EU. Components may not be CE marked. Additionally, the part numbers that TE has identified as EU ELV compliant have a maximum concentration of 0.1% by weight in homogenous materials for lead, hexavalent chromium, and mercury, and 0.01% for cadmium, or qualify for an exemption to these limits as defined in the Annexes of Directive 2000/53/EC (ELV). Regarding the REACH Regulation, the information TE provides on SVHC in articles for this part number is based on the latest European Chemicals Agency (ECHA) 'Guidance on requirements for substances in articles' posted at this URL: <https://echa.europa.eu/guidance-documents/guidance-on-reach>

### Compatible Parts



### Customers Also Bought



### Documents

**Product Drawings**  
Assembly, 2 Position, w/ Posts

English



---

### CAD Files

Customer View Model

[ENG\\_CVM\\_CVM\\_2106212-1\\_A.2d\\_dxf.zip](#)

English

3D PDF

3D

Customer View Model

[ENG\\_CVM\\_CVM\\_2106212-1\\_A.3d\\_igs.zip](#)

English

Customer View Model

[ENG\\_CVM\\_CVM\\_2106212-1\\_A.3d\\_stp.zip](#)

English

By downloading the CAD file I accept and agree to the [Terms and Conditions](#) of use.

---

### Product Specifications

[Application Specification](#)

English

---

### Agency Approvals

[UL Report](#)

English