



SlimSeal | SlimSeal Connectors Headers

TE Internal #: 2106053-2

Plug & Socket Lighting Connectors, Wire-to-Wire, 2 Position, .14 mm [3.5 in] Centerline, Sealable, Printed Circuit Board, SlimSeal Connectors Headers

[View on TE.com >](#)

Connectors > Lighting Connectors > Plug & Socket Lighting Connectors



Connector System: **Wire-to-Wire**

Number of Positions: **2**

Centerline (Pitch): **.14 mm [3.5 in]**

Sealable: **Yes**

Connector & Contact Terminates To: **Printed Circuit Board**

Features

Product Type Features

Connector System	Wire-to-Wire
Sealable	Yes
Connector & Contact Terminates To	Printed Circuit Board
Lighting Connector Style	Receptacle

Configuration Features

Number of Positions	2
---------------------	---

Electrical Characteristics

Operating Voltage	400 VDC
-------------------	---------

Body Features

Primary Product Color	Black
-----------------------	-------

Contact Features

Contact Current Rating (Max)	5 A
------------------------------	-----

Housing Features

--	--



Centerline (Pitch)	.14 mm[3.5 in]
--------------------	----------------

Usage Conditions

Operating Temperature Range	-40 – 105 °C[-40 – 221 °F]
-----------------------------	----------------------------

Product Compliance

[For compliance documentation, visit the product page on TE.com>](#)

EU RoHS Directive 2011/65/EU	Compliant
EU ELV Directive 2000/53/EC	Compliant
China RoHS 2 Directive MIIT Order No 32, 2016	No Restricted Materials Above Threshold
EU REACH Regulation (EC) No. 1907/2006	Current ECHA Candidate List: JUNE 2023 (235) Candidate List Declared Against: JAN 2022 (223) Does not contain REACH SVHC
Halogen Content	Not Low Halogen - contains Br or Cl > 900 ppm.
Solder Process Capability	Reflow solder capable to 260°C

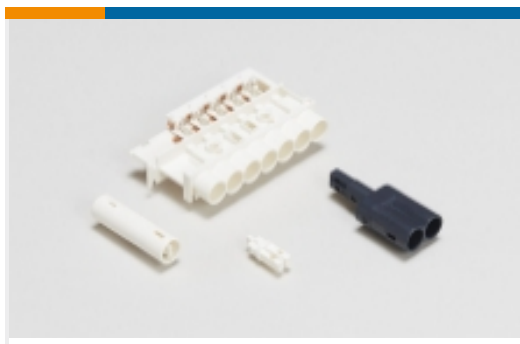
Product Compliance Disclaimer

This information is provided based on reasonable inquiry of our suppliers and represents our current actual knowledge based on the information they provided. This information is subject to change. The part numbers that TE has identified as EU RoHS compliant have a maximum concentration of 0.1% by weight in homogenous materials for lead, hexavalent chromium, mercury, PBB, PBDE, DBP, BBP, DEHP, DIBP, and 0.01% for cadmium, or qualify for an exemption to these limits as defined in the Annexes of Directive 2011/65/EU (RoHS2). Finished electrical and electronic equipment products will be CE marked as required by Directive 2011/65/EU. Components may not be CE marked. Additionally, the part numbers that TE has identified as EU ELV compliant have a maximum concentration of 0.1% by weight in homogenous materials for lead, hexavalent chromium, and mercury, and 0.01% for cadmium, or qualify for an exemption to these limits as defined in the Annexes of Directive 2000/53/EC (ELV). Regarding the REACH Regulation, the information TE provides on SVHC in articles for this part number is based on the latest European Chemicals Agency (ECHA) 'Guidance on requirements for substances in articles' posted at this URL: <https://echa.europa.eu/guidance-documents/guidance-on-reach>

Compatible Parts

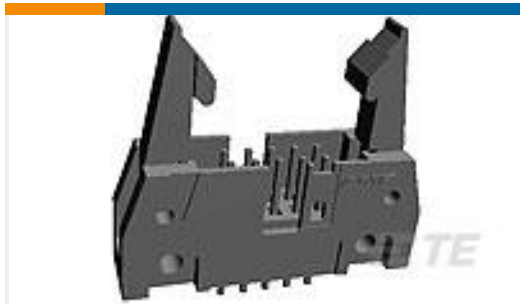


Also in the Series | SlimSeal Connectors Headers



Plug & Socket Lighting Connectors(33)

Customers Also Bought



TE Part #5499923-6
A/L UNIV HDR 26P VERT LG LAT



TE Part #164531-4
9P.HDP20 REC.ASSY.



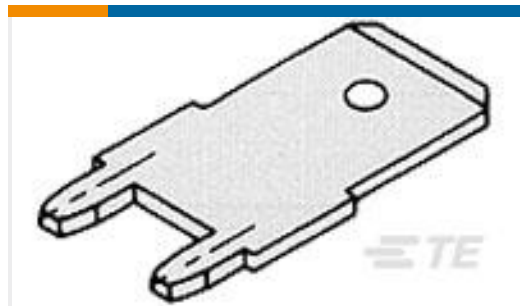
TE Part #8-188275-4
MICRO-MATCH SMD FTE



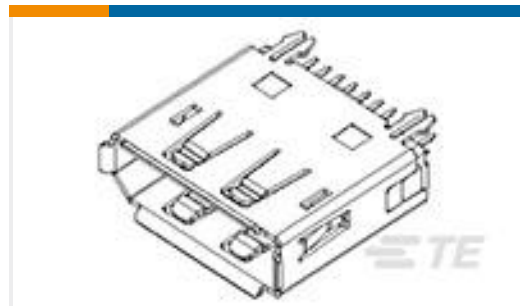
TE Part #794617-2
2POS,MICRO MNL,RCPT HSG



TE Part #1612898-1
BATTERY BLOCK CONN. PLUG ASSY



TE Part #62409-1
250 FASTON TAB TPBR



TE Part #2041441-2
DP 20P V/T DIP 15u" Au, 2.5 tails



TE Part #5-146282-3
03 MODII HDR SRST B/A .100CL



TE Part #2102773-1
DC, 7Row, Center, RTM, MULTIGIG RT 2R



TE Part #2313237-2
RAPLUGASSY,MGR3,POWER,DP,SE, CENTER

Documents

Product Drawings

[Assembly, Vertical SMT Header, 2-Positio](#)

English

CAD Files

[3D PDF](#)

[3D](#)

Customer View Model

[ENG_CVM_CVM_2106053-2_B_c-2106053-2-b.2d_dxf.zip](#)



English

Customer View Model

[ENG_CVM_CVM_2106053-2_B_c-2106053-2-b.3d_igs.zip](#)

English

Customer View Model

[ENG_CVM_CVM_2106053-2_B_c-2106053-2-b.3d_stp.zip](#)

English

By downloading the CAD file I accept and agree to the [Terms and Conditions](#) of use.

Datasheets & Catalog Pages

[SLIMSEAL_SSL_CONNECOTS](#)

English

Product Specifications

[Application Specification](#)

English

Product Environmental Compliance

[TE Material Declaration](#)

English

Agency Approvals

[UL Report](#)

English