

2101924-4 ✓ ACTIVE

AMP | AMP VITA 67

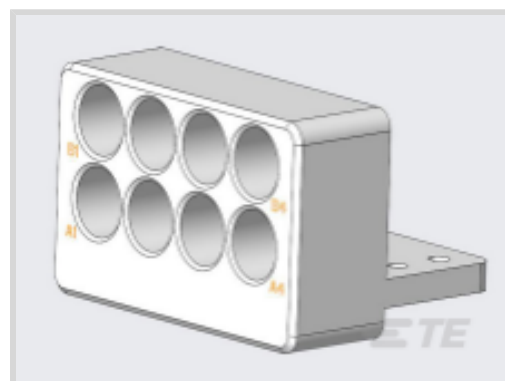
TE Internal #: 2101924-4

PCB RF Modules, 8 Coaxial Contacts, Right Angle, Stainless Steel,  
Cable-to-Cable, 8 Position, 6.1 mm [.24 in] Centerline, Wire &  
Cable, AMP VITA 67

[View on TE.com >](#)



Connectors > RF Connectors > RF Connector Accessories > PCB RF Modules



Number of Coaxial Contacts: **8**

PCB Mount Orientation: **Right Angle**

Body Material: **Stainless Steel**

Connector System: **Cable-to-Cable**

Number of Positions: **8**

## Features

### Product Type Features

Connector System	Cable-to-Cable
Connector & Contact Terminates To	Wire & Cable

### Configuration Features

Number of Coaxial Contacts	8
PCB Mount Orientation	Right Angle
Number of Positions	8

### Body Features

Body Plating Material	Passivated
Body Material	Stainless Steel

### Mechanical Attachment

Connector Mounting Type	Board Mount
-------------------------	-------------

### Housing Features

Centerline (Pitch)	6.1 mm [.24 in]
--------------------	-----------------

### Dimensions

RF Contact Spacing	6.1 mm [.24 in]
--------------------	-----------------

### Usage Conditions

Operating Temperature Range	-55 – 105 °C [-67 – 221 °F]
-----------------------------	-----------------------------



Operation/Application

Circuit Application	Signal
---------------------	--------

Product Compliance

[For compliance documentation, visit the product page on TE.com>](#)

EU RoHS Directive 2011/65/EU	Compliant
EU ELV Directive 2000/53/EC	Compliant
China RoHS 2 Directive MIIT Order No 32, 2016	No Restricted Materials Above Threshold
EU REACH Regulation (EC) No. 1907/2006	Current ECHA Candidate List: JUNE 2023 (235) Candidate List Declared Against: JUNE 2022 (224) Does not contain REACH SVHC
Halogen Content	Low Halogen - Br, Cl, F, I < 900 ppm per homogenous material. Also BFR/CFR/PVC Free
Solder Process Capability	Not applicable for solder process capability

Product Compliance Disclaimer

This information is provided based on reasonable inquiry of our suppliers and represents our current actual knowledge based on the information they provided. This information is subject to change. The part numbers that TE has identified as EU RoHS compliant have a maximum concentration of 0.1% by weight in homogenous materials for lead, hexavalent chromium, mercury, PBB, PBDE, DBP, BBP, DEHP, DIBP, and 0.01% for cadmium, or qualify for an exemption to these limits as defined in the Annexes of Directive 2011/65/EU (RoHS2). Finished electrical and electronic equipment products will be CE marked as required by Directive 2011/65/EU. Components may not be CE marked. Additionally, the part numbers that TE has identified as EU ELV compliant have a maximum concentration of 0.1% by weight in homogenous materials for lead, hexavalent chromium, and mercury, and 0.01% for cadmium, or qualify for an exemption to these limits as defined in the Annexes of Directive 2000/53/EC (ELV). Regarding the REACH Regulation, the information TE provides on SVHC in articles for this part number is based on the latest European Chemicals Agency (ECHA) 'Guidance on requirements for substances in articles' posted at this URL: <https://echa.europa.eu/guidance-documents/guidance-on-reach>

Also in the Series | AMP VITA 67

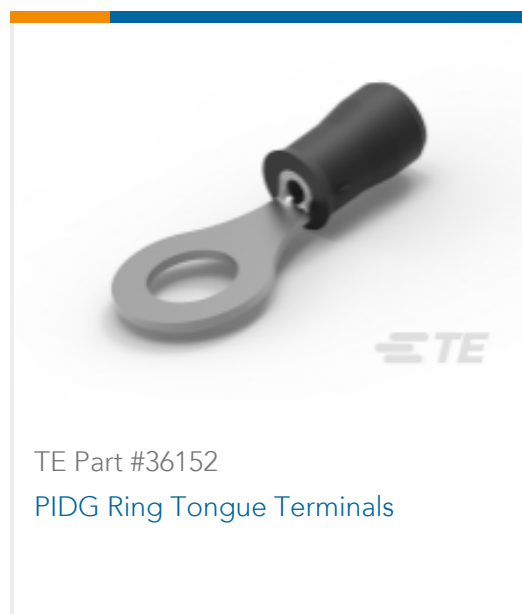


Coax Connectors(6)



PCB RF Modules(10)

Customers Also Bought



TE Part #36152  
PIDG Ring Tongue Terminals



TE Part #5499141-1  
A/L UNIV HDR 10P RA LG LAT



TE Part #1-1469492-3  
MULTIGIG RT 9MM GUIDE/ESD 90 DEG



TE Part #1-1469492-1  
MULTIGIG RT 9MM GUIDE/ESD 0 DEG



TE Part #0641-2-1631L  
CONT PIN



TE Part #CTJ-3A-10-4021  
RAIL ASSY



TE Part #324082  
TERMINAL, T-N R 8 1/4

## Documents

### Product Drawings

#### 8 POS PCB MNT RF MODULE W/ PINS & MARK

English

### CAD Files

#### 3D PDF

3D

#### Customer View Model

[ENG\\_CVM\\_CVM\\_2101924-4\\_F.2d\\_dxf.zip](#)

English

#### Customer View Model

[ENG\\_CVM\\_CVM\\_2101924-4\\_F.3d\\_igs.zip](#)

English

#### Customer View Model

[ENG\\_CVM\\_CVM\\_2101924-4\\_F.3d\\_stp.zip](#)

English

By downloading the CAD file I accept and agree to the [Terms and Conditions](#) of use.

### Datasheets & Catalog Pages

#### Products for Aerospace and Defense

English

### Instruction Sheets

#### Instruction Sheet (U.S.)

English