

208718-2 ✓ ACTIVE

AMP | AMP CPC

TE Internal #: 208718-2

Circular Power Connectors, Housing, 600 VDC, 30 – 14 AWG Wire Size, .05 – .2 mm<sup>2</sup> Wire Size, Wire-to-Wire, 5 Position, Sealable, Wire & Cable, AMP CPC

[View on TE.com >](#)



Connectors > Power Connectors > Circular Power > Circular Power Connectors > Circular Plastic Connector, CMC Series 1



Connector Product Type: **Housing**

Operating Voltage: **600 VDC**

Wire Size: **.05 – .2 mm<sup>2</sup>**

Connector System: **Wire-to-Wire**

[All Circular Plastic Connector, CMC Series 1 \(24\)](#)

## Features

### Product Type Features

Connector Seal & Plug Type	Tetraseal
Connector Product Type	Housing
Connector System	Wire-to-Wire
Sealable	Yes
Connector & Contact Terminates To	Wire & Cable
Connector & Housing Type	Plug
Circular Connector Shell Type	Metal-Shell

### Configuration Features

Reverse Numbering	Without
Number of Positions	5
Number of Power Positions	0
Number of Signal Positions	5

### Electrical Characteristics



Operating Voltage	600 VAC
-------------------	---------

### Contact Features

Reverse Gender	No
Contact Type	Socket
Contact Current Rating (Max)	13 A
Contact Protection	With

### Termination Features

Termination Method to Wire & Cable	Crimp & Solder
------------------------------------	----------------

### Mechanical Attachment

Mating Alignment Type	Keyed
Mating Alignment	With
Mating Retention Type	Threaded Coupling
Thread Size	7/8-20 UNEF-2A
Polarization Code	A
Mating Retention	With
Panel Mount Feature	Without

### Housing Features

Body Orientation	Straight
Housing Color	Black
Housing Material	Thermoplastic
Circular Connector Shell Size	14

### Dimensions

Compatible Insulation Diameter Range	3.43 mm [.135 in]
Wire Size	.05 – .2 mm <sup>2</sup>

### Usage Conditions

Operating Temperature Range	-55 – 105 °C [-67 – 221 °F]
Fluid Resistance	Immersion

### Operation/Application

Circuit Application	Power & Signal
Shielded	No

### Industry Standards

UL Flammability Rating	UL 94V-0
------------------------	----------



## Packaging Features

Packaging Quantity	12
Packaging Method	Carton

## Product Compliance

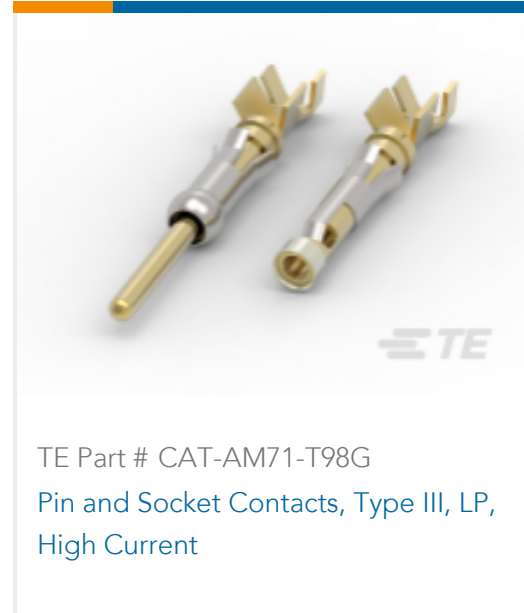
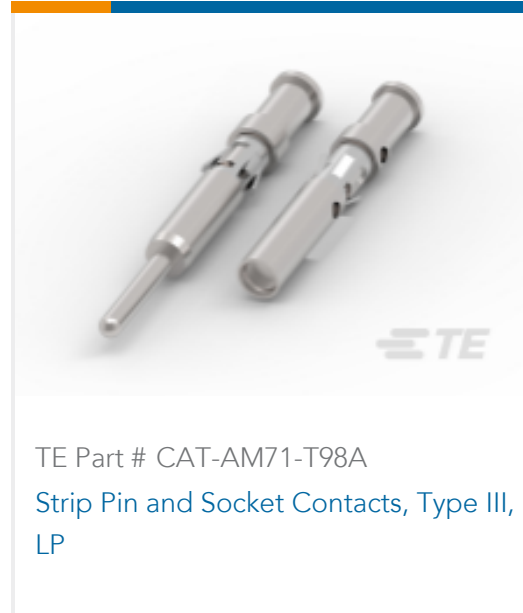
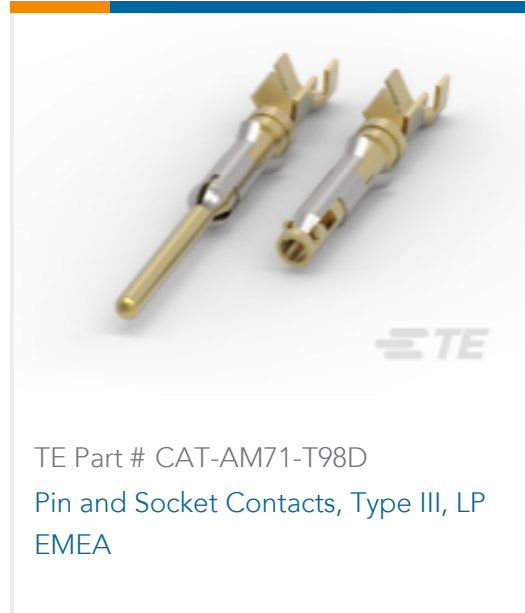
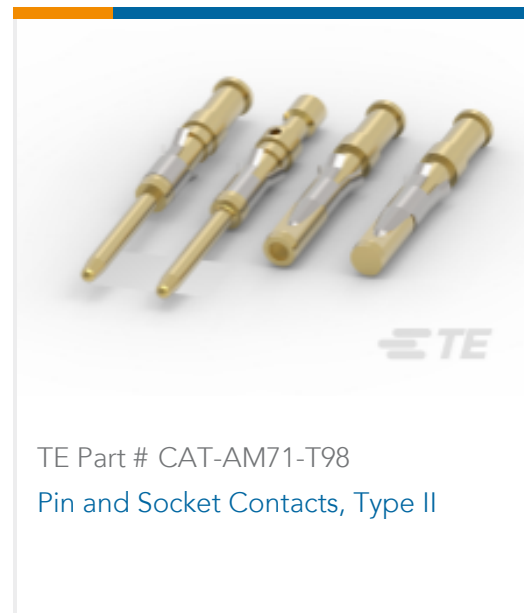
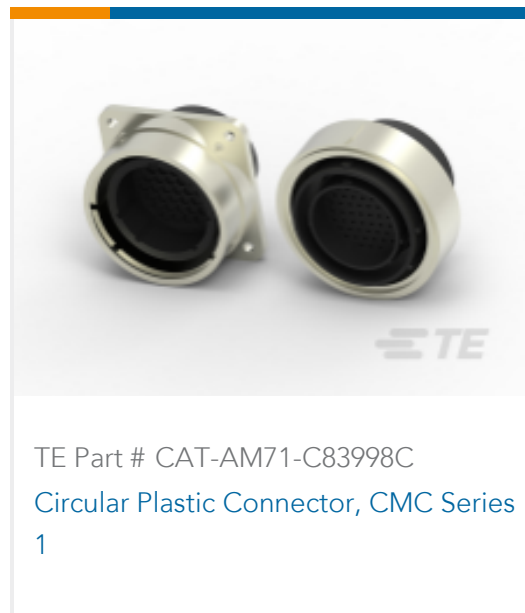
[For compliance documentation, visit the product page on TE.com>](#)

EU RoHS Directive 2011/65/EU	Compliant
EU ELV Directive 2000/53/EC	Compliant
China RoHS 2 Directive MIIT Order No 32, 2016	No Restricted Materials Above Threshold
EU REACH Regulation (EC) No. 1907/2006	Current ECHA Candidate List: JUNE 2023 (235) Candidate List Declared Against: JUN 2016 (169) SVHC > Threshold: Not Yet Reviewed
Halogen Content	Not Yet Reviewed for halogen content
Solder Process Capability	Not applicable for solder process capability

### Product Compliance Disclaimer

This information is provided based on reasonable inquiry of our suppliers and represents our current actual knowledge based on the information they provided. This information is subject to change. The part numbers that TE has identified as EU RoHS compliant have a maximum concentration of 0.1% by weight in homogenous materials for lead, hexavalent chromium, mercury, PBB, PBDE, DBP, BBP, DEHP, DIBP, and 0.01% for cadmium, or qualify for an exemption to these limits as defined in the Annexes of Directive 2011/65/EU (RoHS2). Finished electrical and electronic equipment products will be CE marked as required by Directive 2011/65/EU. Components may not be CE marked. Additionally, the part numbers that TE has identified as EU ELV compliant have a maximum concentration of 0.1% by weight in homogenous materials for lead, hexavalent chromium, and mercury, and 0.01% for cadmium, or qualify for an exemption to these limits as defined in the Annexes of Directive 2000/53/EC (ELV). Regarding the REACH Regulations, TE's information on SVHC in articles for this part number is still based on the European Chemical Agency (ECHA) 'Guidance on requirements for substances in articles' (Version: 2, April 2011), applying the 0.1% weight on weight concentration threshold at the finished product level. TE is aware of the European Court of Justice ruling of September 10th, 2015 also known as O5A (Once An Article Always An Article) stating that, in case of 'complex object', the threshold for a SVHC must be applied to both the product as a whole and simultaneously to each of the articles forming part of its composition. TE has evaluated this ruling based on the new ECHA "Guidance on requirements for substances in articles" (June 2017, version 4.0) and will be updating its statements accordingly.

## Compatible Parts



Also in the Series | AMP CPC



Circular Connector Adapters(7)



Circular Connector Hardware(3)



Circular Connector Keying Plugs(2)



Circular Power Connectors(458)



Connector Backshells(56)



Connector Caps & Covers(16)



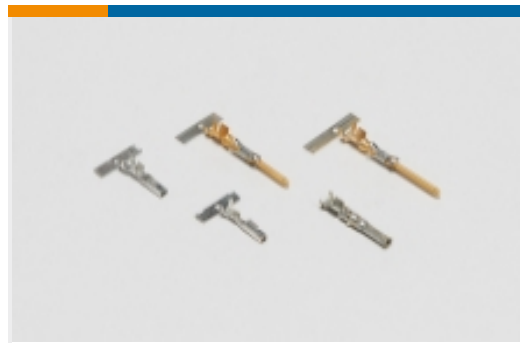
Connector Seals & Cavity Plugs(36)



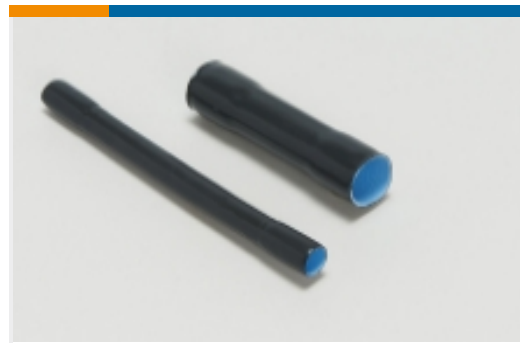
Connector Strain Relief(6)



Insertion & Extraction Tools(1)

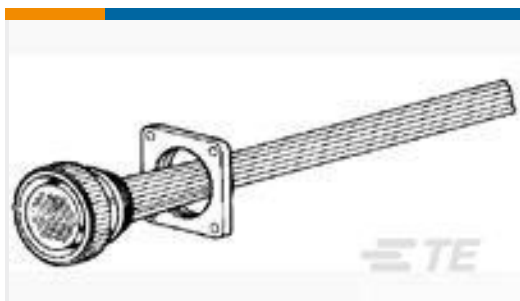


Power Contacts(6)



Sealing Sleeves(2)

## Customers Also Bought



TE Part #207299-3  
FLANGE PLUG MOUNT CPC



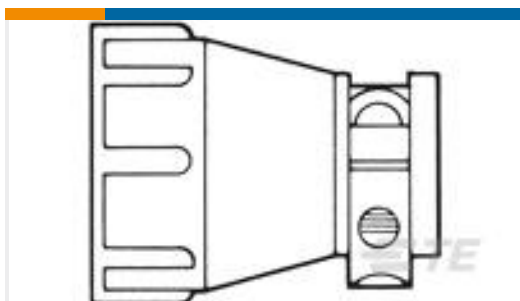
TE Part #5205736-7  
15 RCPT SP/MS STD



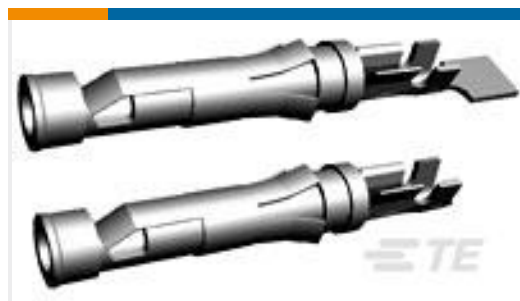
TE Part #5205737-7  
25 PLUG SP/MS STD



TE Part #211398-1  
CPC RECPT. SIZE 13-7



TE Part #206966-9  
CABLE CLAMP KIT, BULK PKG



TE Part #66101-4  
III+ SKT,18-16,30AU/FL,LP



TE Part #5747840-6  
HD-20 PLUG RA .318 FMS BD-LK S



TE Part #350428-1  
02P UMNL PIN HDR ASSY NATL



## Documents

### Product Drawings

[CMC PLUG ASSEMBLY,SZ 14-5](#)

English

### CAD Files

[3D PDF](#)

English

Customer View Model

[ENG\\_CVM\\_208718-2\\_J.2d\\_dxf.zip](#)

English

Customer View Model

[ENG\\_CVM\\_208718-2\\_J.3d\\_igs.zip](#)

English

Customer View Model

[ENG\\_CVM\\_208718-2\\_J.3d\\_stp.zip](#)

English

[3D PDF](#)

3D

Customer View Model

[ENG\\_CVM\\_CVM\\_208718-2\\_R.2d\\_dxf.zip](#)

English

Customer View Model

[ENG\\_CVM\\_CVM\\_208718-2\\_R.3d\\_igs.zip](#)

English

Customer View Model

[ENG\\_CVM\\_CVM\\_208718-2\\_R.3d\\_stp.zip](#)

English

By downloading the CAD file I accept and agree to the [Terms and Conditions](#) of use.

### Datasheets & Catalog Pages

[AMP Circular Connectors for Commercial Signal & Power Applications Continued](#)

English

### Product Specifications

[Application Specification](#)

English



---

**Instruction Sheets**

**Instruction Sheet (U.S.)**

English

---

**Agency Approvals**

**CSA Certificate**

English

**CSA Certificate**

English